

INTERIOR DESIGN DRAWINGS FOR
HOME 2
ASHEVILLE, NC

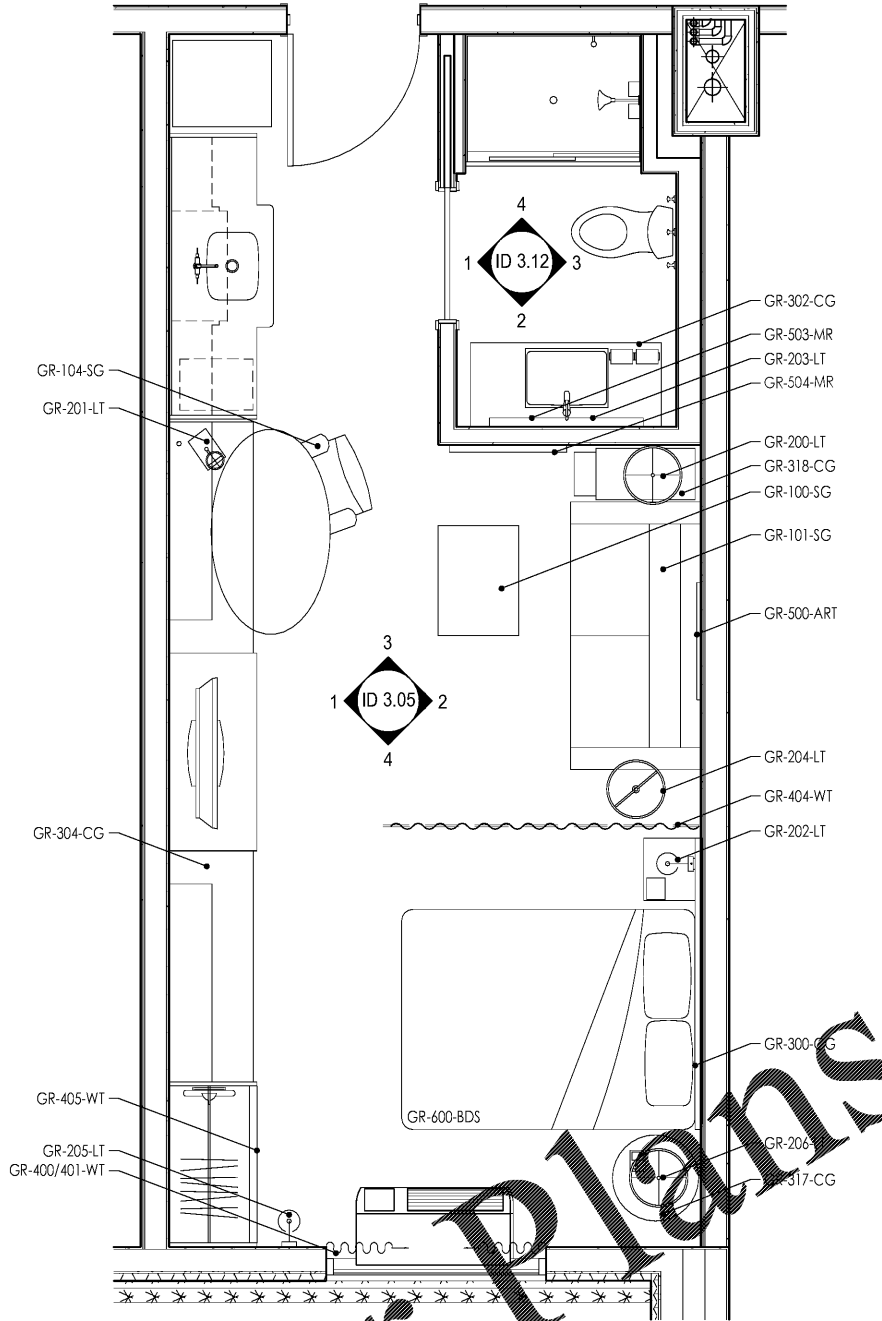
ISSUED: DATE

QUEEN STUDIO
FURNITURE PLAN &
ELEVATIONS
FOR CONSTRUCTION

DATE	SET

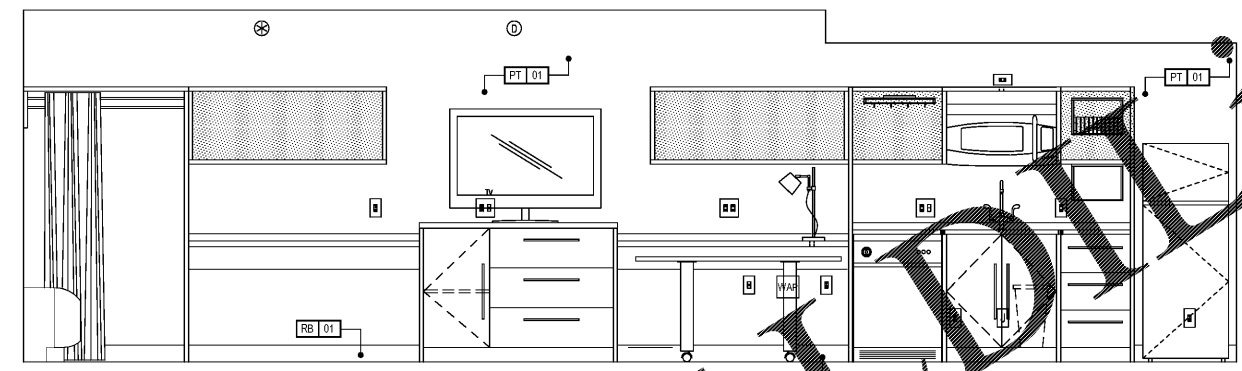
ID3.05

Order Plans

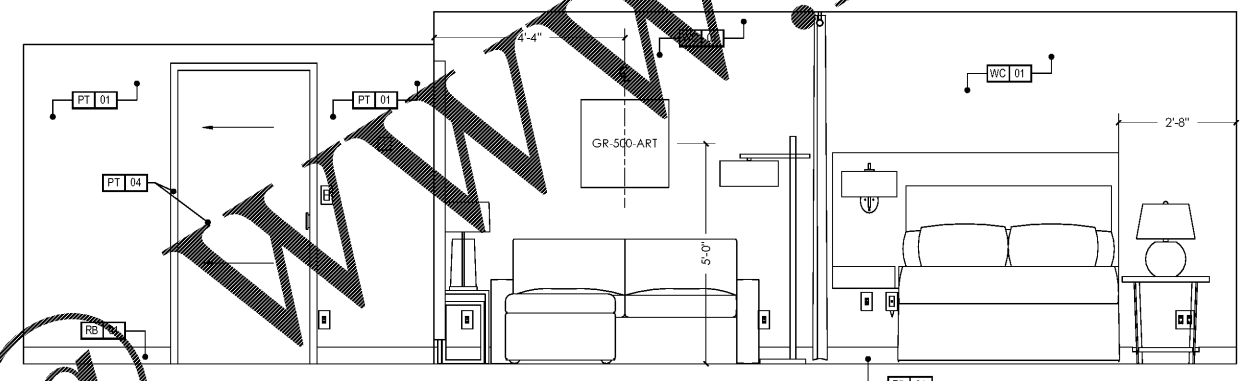


0 QUEEN STUDIO (QS)
ID3.05 SCALE: 1/2" = 1'-0"

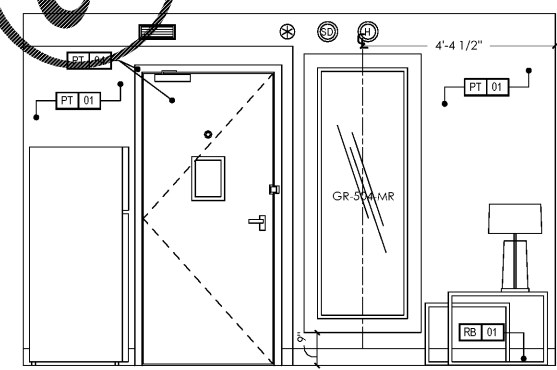
ROOMS: 103, 105, 122, 123, 124, 125, 203, 205, 214, 216, 221, 222, 223, 224, 225, 303, 305, 314, 316, 321, 322, 323, 324, 325, 403, 405, 412, 414, 416, 421, 422, 423, 424, 425, 503, 505, 512, 514, 516, 518, 520, 522, 523, 524, 525



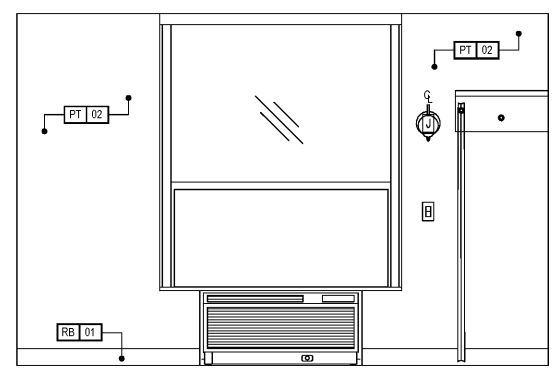
1 QUEEN STUDIO ELEVATION
ID3.05 SCALE: 1/2" = 1'-0"



2 QUEEN STUDIO ELEVATION
ID3.05 SCALE: 1/2" = 1'-0"



3 QUEEN STUDIO ELEVATION
ID3.05 SCALE: 1/2" = 1'-0"



4 QUEEN STUDIO ELEVATION
ID3.05 SCALE: 1/2" = 1'-0"