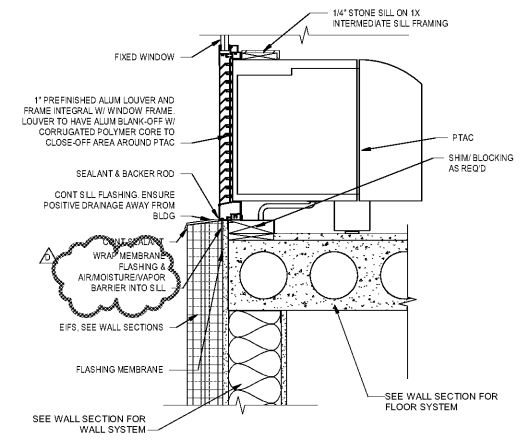


GLASS TYPES

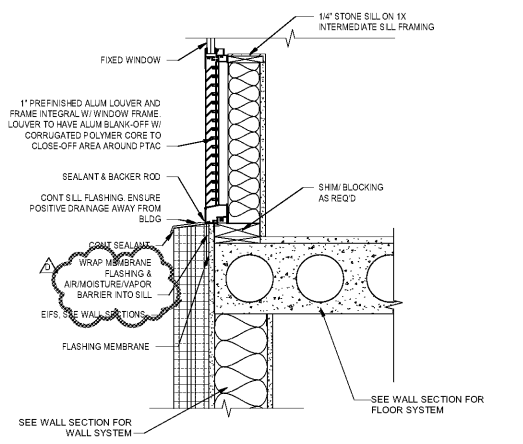
- * ENERGY SUMMARY CALCULATED USING GAURDIAN SUNGLARD SNA (AS FILED) CLEAR FOR STOREFRONT AND VIRAQON 1/4" SINGLE PANE CLEAR FOR STOREFRONT DOORS
- G1 1/4" TEMPERED GLASS (FIRE PROTECTION RATED GLASS IN DOORS THAT ARE FIRE RATED)
- G2 1" INSULATED LOW E GLASS
- G3 1" INSULATED LOW E GLASS, TEMPERED SAFETY GLASS *LOW E NOT REQUIRED FOR INTERIOR STOREFRONT

STOREFRONT NOTES

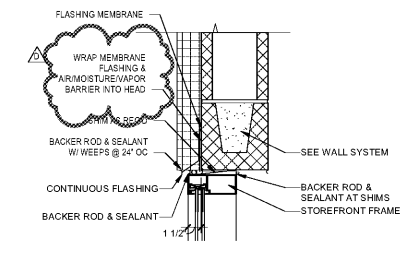
1. ALL STOREFRONT DOORS AND FRAMES TO BE CLEAR ANODIZED
2. GO TO VERIFY REQD PTAC LOUVER SIZE WITH ACTUAL PTAC USED PRIOR TO CONSTRUCTION
3. MTL PTAC MANUF. TO SEE SPECIFICATIONS
4. INSTALL SELF-ADHERED MEMBRANE FLASHING OVER SHEATHING AT ALL HEAD, JAMB, & SILL CONDITIONS. INSTALL PER MANUFACTURER'S REQUIREMENTS
5. INSTALL 1" WALL FLASHING PER EIFS MANUF.



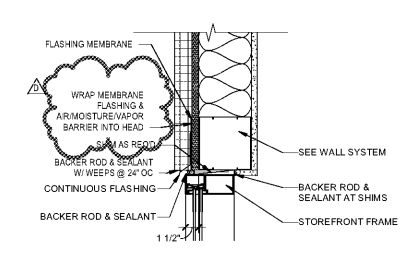
C1 GUESTROOM WINDOW SILL @ EIFS- PTAC
1 1/2" x 1'-0"



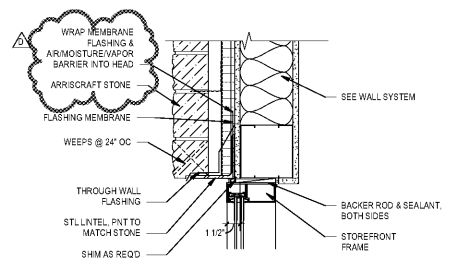
B1 GUESTROOM WINDOW SILL @ EIFS- LOUVER
1 1/2" x 1'-0"



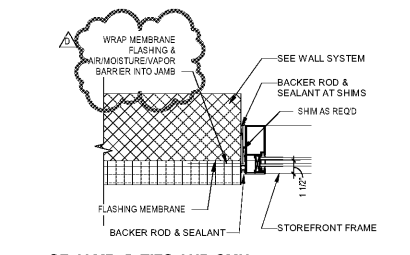
D2 SF HEAD @ EIFS AND CMU
1 1/2" x 1'-0"



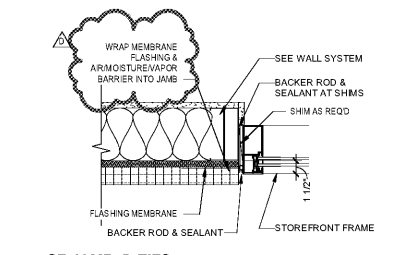
D3 SF HEAD @ EIFS
1 1/2" x 1'-0"



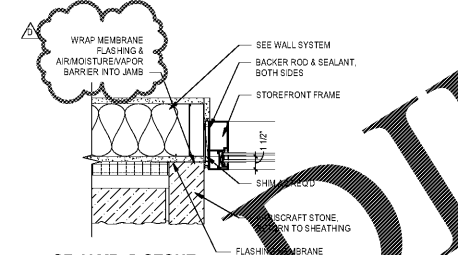
D4 SF HEAD @ STONE
1 1/2" x 1'-0"



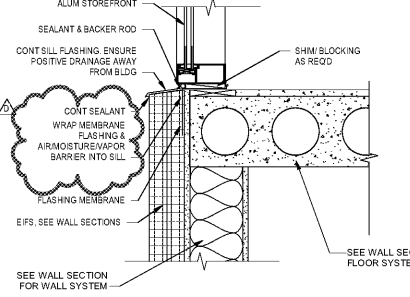
C2 SF JAMB @ EIFS AND CMU
1 1/2" x 1'-0"



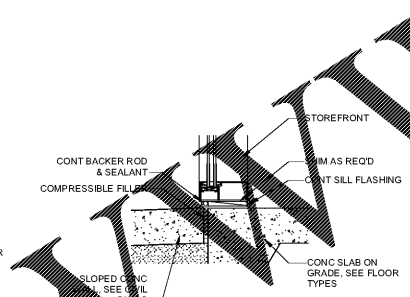
C3 SF JAMB @ EIFS
1 1/2" x 1'-0"



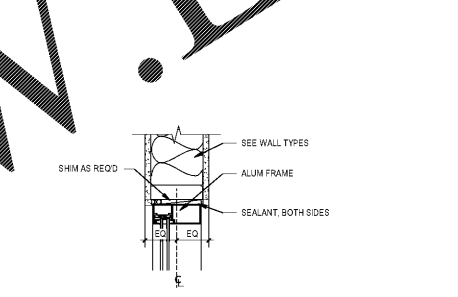
C4 SF JAMB @ STONE
1 1/2" x 1'-0"



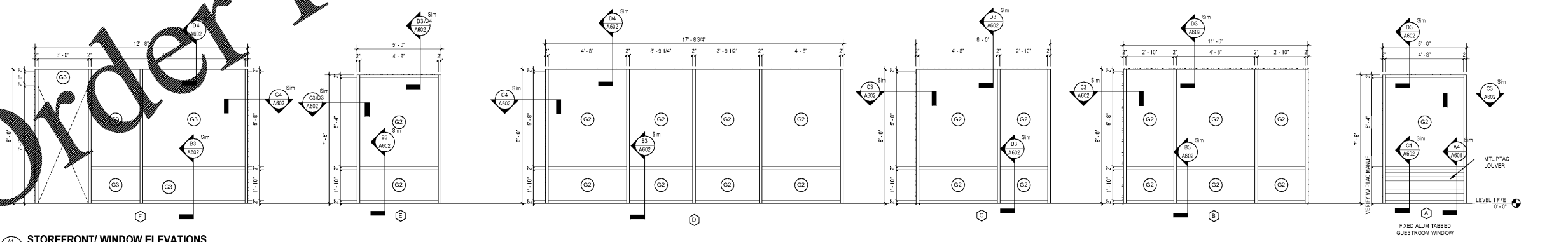
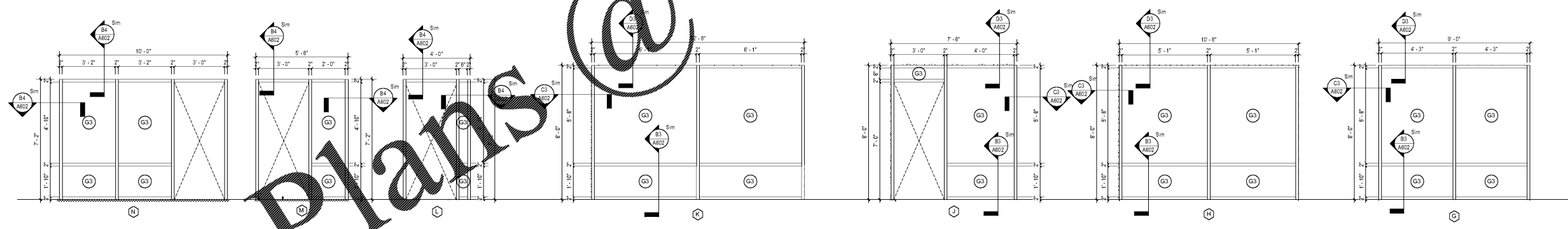
B2 UPPER LEVEL STOREFRONT SILL @ EIFS
1 1/2" x 1'-0"



B3 SF SILL @ GRADE
1 1/2" x 1'-0"



B4 SF JAMB/HEAD - INTERIOR
1 1/2" x 1'-0"



A1 STOREFRONT/ WINDOW ELEVATIONS
3/8\"/>

SHEET ISSUE
07/30/18
FOR CONSTRUCTION

Revisions		
Number	Description	Date
D	Addendum 4-Big Question Responses	10/3/18

PRINCIPAL IN CHARGE: BZ
PROJECT ARCHITECT: BZ
DRAWN BY: BT
SHEET TITLE: STOREFRONT ELEVATIONS AND DETAILS
SHEET NO: PROJ. NO. 017376.00

A602

WWW.LDILINE.COM

WINDSOR AUGHTRY, ARCHITECT, 390 AIRPORT RD., ARDEN, NC 28704
 10/3/18 11:59 AM
 11198
 10-3-18