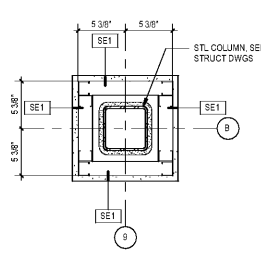
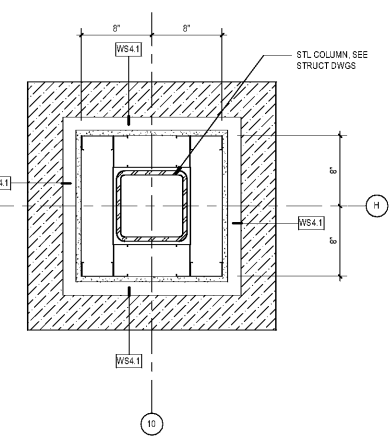


33 PLAN DTL B @ INDOOR POOL  
1 1/2" = 1'-0"

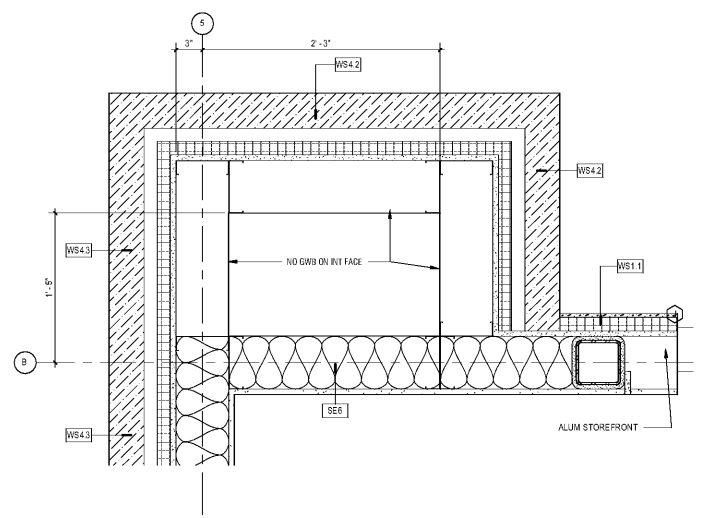


34 EXT COLUMN DTL  
1 1/2" = 1'-0"

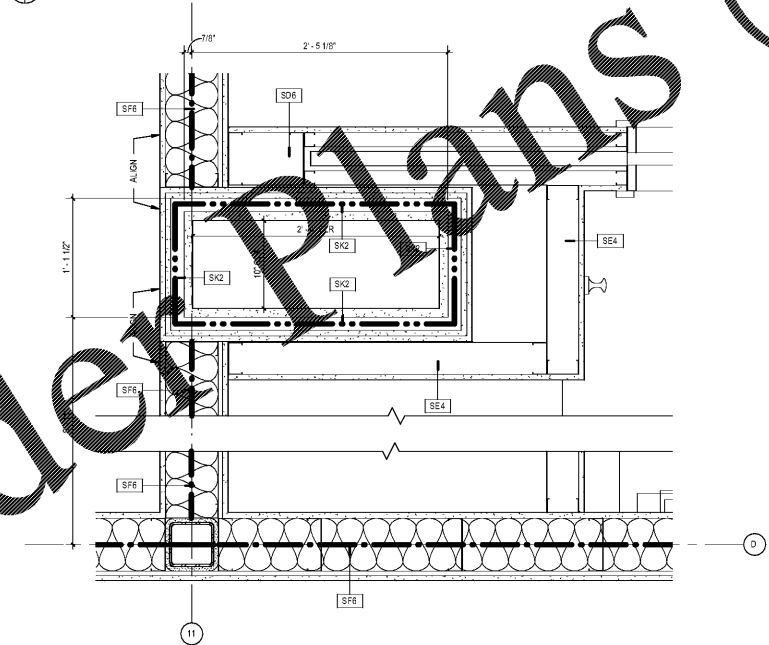


35 LOBBY PLAN DTL A  
1 1/2" = 1'-0"

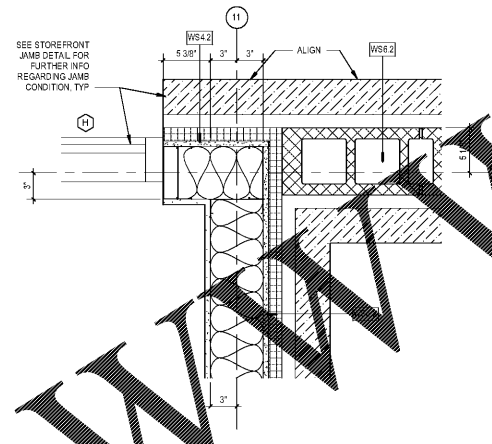
31 EXTERIOR BUMP-OUT B PLAN DTL  
1 1/2" = 1'-0"



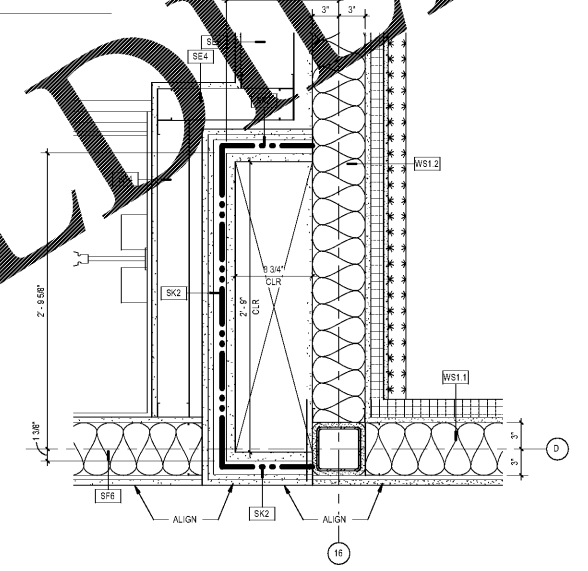
32 EXTERIOR BUMP-OUT A PLAN DTL  
1 1/2" = 1'-0"



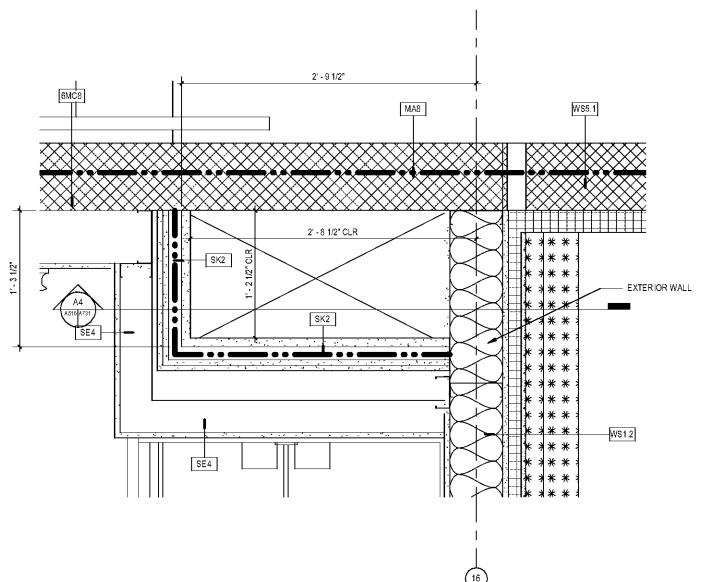
36 KING 1 BEDROOM ADA SHAFT DTL  
1 1/2" = 1'-0"



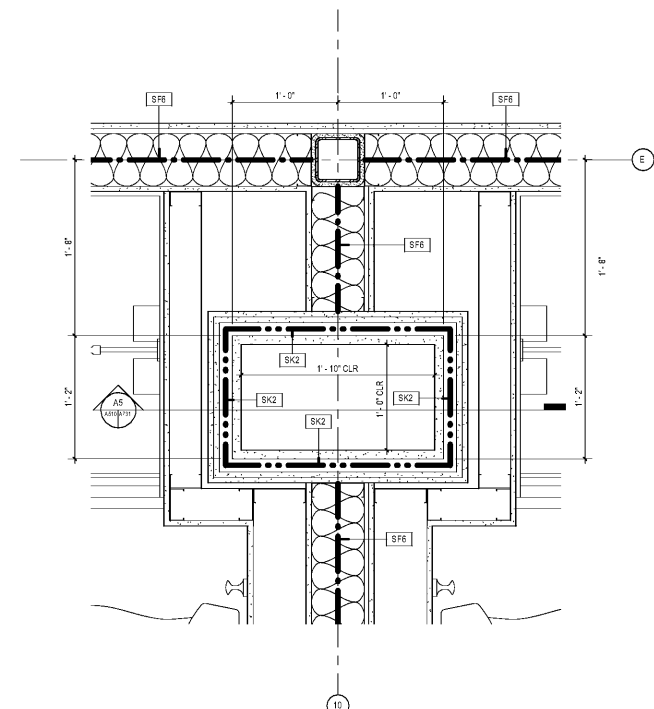
33 PLAN DTL A @ INDOOR POOL  
1 1/2" = 1'-0"



34 CORRIDOR END SHAFT DTL  
1 1/2" = 1'-0"



33 KING 1 BEDROOM SHAFT DTL  
1 1/2" = 1'-0"



35 TYP GUESTROOM SHAFT PLAN DTL  
1 1/2" = 1'-0"

WINDSOR AUGHTRY

HOME2 ASHEVILLE

380 AIRPORT RD.  
ASHEVILLE, NC 28704

SHEET ISSUE  
07/30/18  
FOR CONSTRUCTION

Number	Revisions	Description	Date

PRINCIPAL IN CHARGE: BZ  
PROJECT ARCHITECT: BZ  
DRAWN BY: BT  
SHEET TITLE:  
ENLARGED PLAN  
DETAILS

SHEET NO. PROJ. NO.  
017378.00

A510

Order Plans @ WWW.LDOnline.com