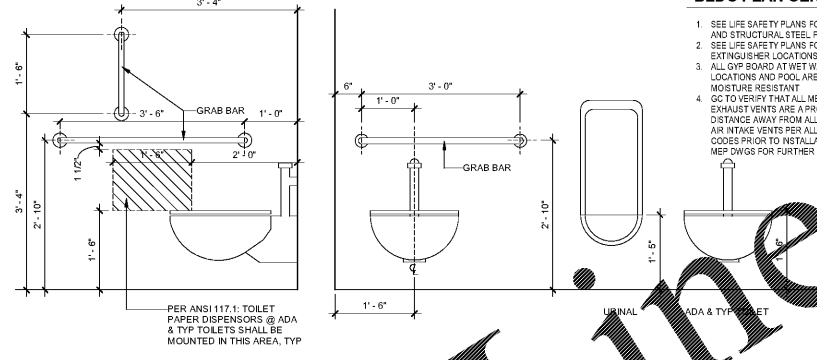


PUBLIC RESTRM SINK SECTION
1" = 1'-0"



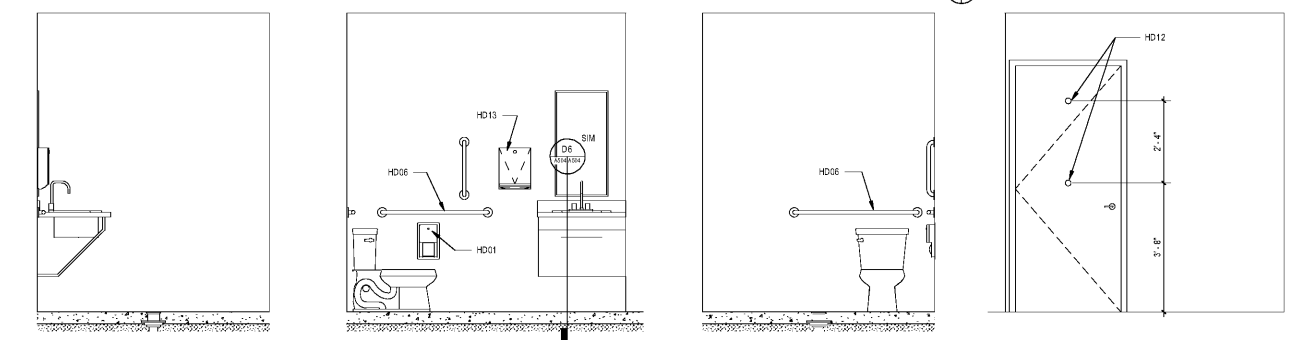
TYP PLUMBING FIXTURE MOUNTING HEIGHTS
3/4" = 1'-0"

BATH/ TOILET ROOM NOTES

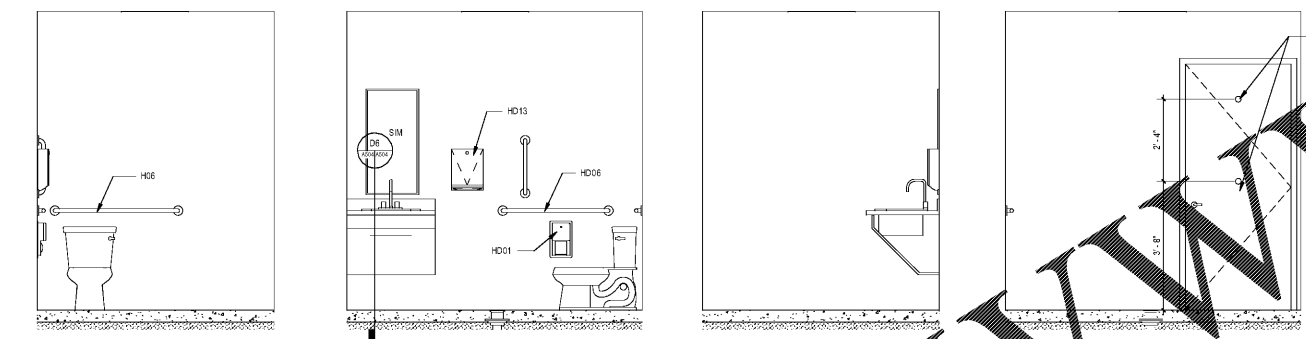
- SEE SHEET A412 FOR ALL MOUNTING HEIGHTS OF PLUMBING FIXTURES, GRAB BARS, EQUIPMENT, AND ACCESSORIES
- SEE SHEET A412 FOR PLUMBING ACCESSORIES LEGEND
- ALL GYP BOARD AT WET WALL LOCATIONS TO BE MOISTURE RESISTANT

BLDG PLAN GENERAL NOTES

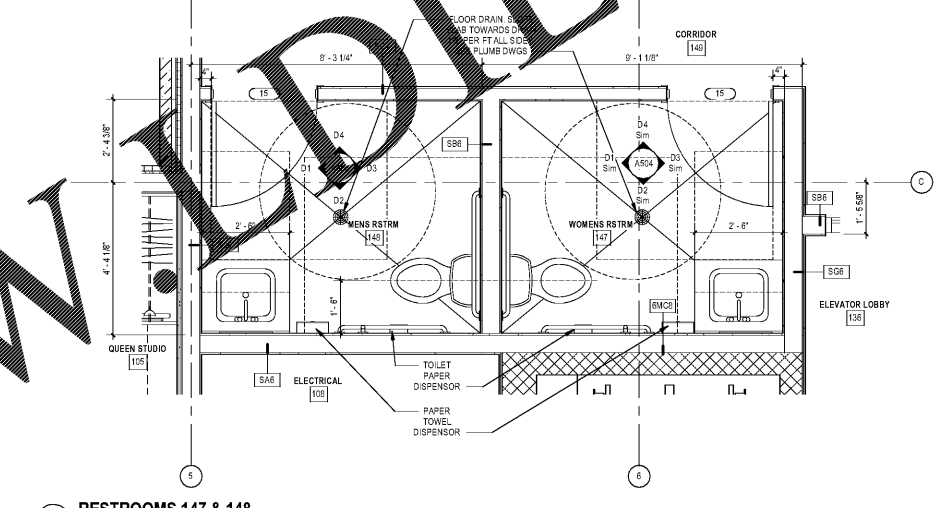
- SEE LIFE SAFETY PLANS FOR ALL WALL AND STRUCTURAL STEEL FIRE RATINGS
- SEE LIFE SAFETY PLANS FOR ALL FIRE EXTINGUISHER LOCATIONS
- ALL GYP BOARD AT WET WALL LOCATIONS AND POOL AREA TO BE MOISTURE RESISTANT
- GIC TO VERIFY THAT ALL MECHANICAL EXHAUST VENTS ARE A PROPER DISTANCE AWAY FROM ALL MECHANICAL AIR INTAKE VENTS PER ALL APPLICABLE CODES PRIOR TO INSTALLATION. SEE MEP DWGS FOR FURTHER INFORMATION.



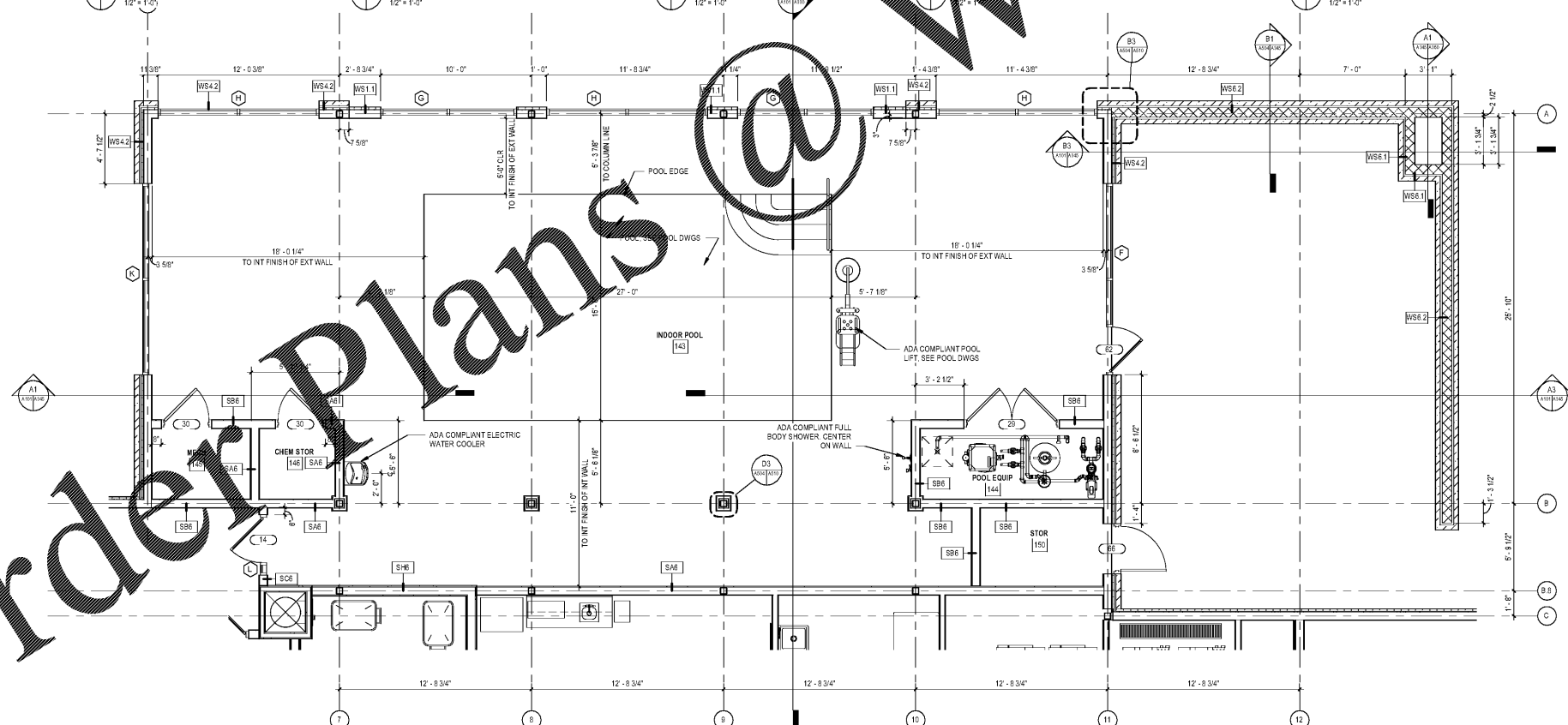
RESTROOM 148 ELEV D 1/2" = 1'-0"
RESTROOM 148 ELEV C 1/2" = 1'-0"
RESTROOM 148 ELEV B 1/2" = 1'-0"
RESTROOM 148 ELEV A 1/2" = 1'-0"



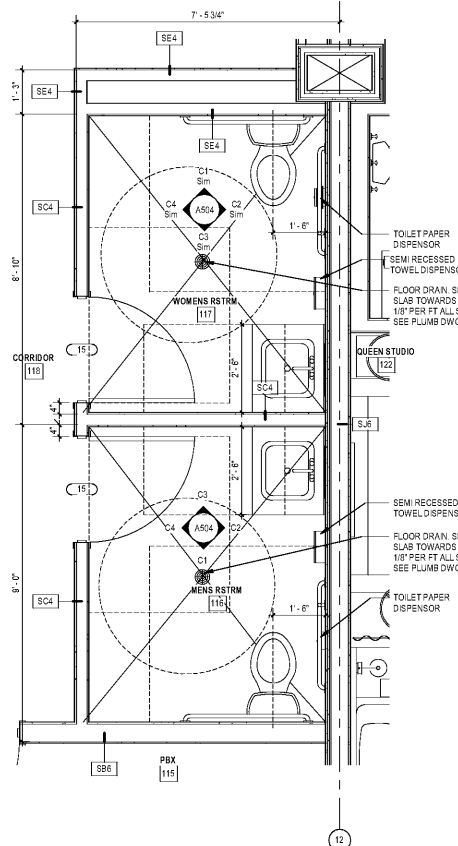
RESTROOM 116 ELEV D 1/2" = 1'-0"
RESTROOM 116 ELEV C 1/2" = 1'-0"
RESTROOM 116 ELEV B 1/2" = 1'-0"
RESTROOM 116 ELEV A 1/2" = 1'-0"



RESTROOMS 147 & 148
1/2" = 1'-0"



ENLARGED INDOOR POOL & OUTDOOR PATIO PLAN
1/4" = 1'-0"



RESTROOMS 116 & 117
1/2" = 1'-0"



SHEET ISSUE
07/30/18
FOR CONSTRUCTION

Number	Description	Date