



WINDSOR AUGHTRY
HOME2 ASHEVILLE

380 AIRPORT RD.
ASHEVILLE, NC 28704

SHEET ISSUE
07/30/18
FOR CONSTRUCTION

Revisions		
Number	Description	Date

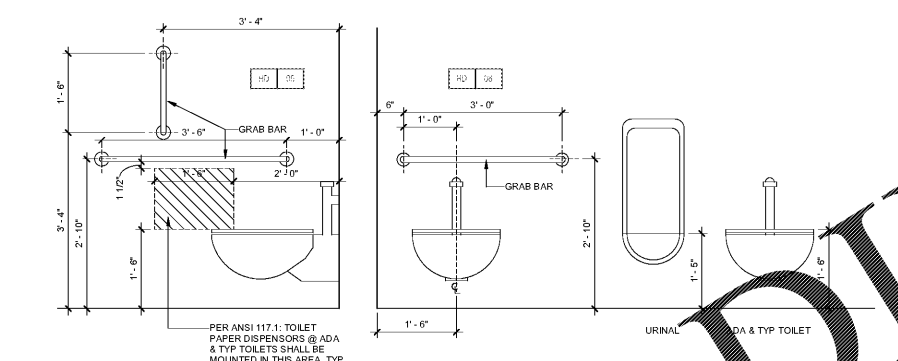
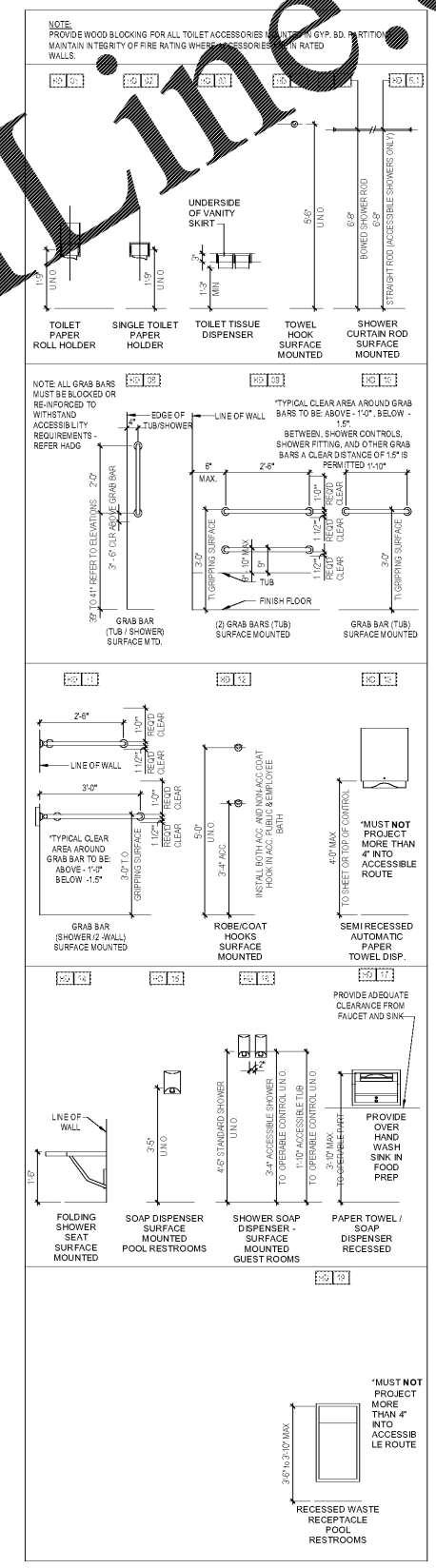
PRINCIPAL IN CHARGE: BZ
PROJECT ARCHITECT: BZ
DRAWN BY: BT

SHEET TITLE:
**GUESTROOM
BATHROOM
DETAILS**

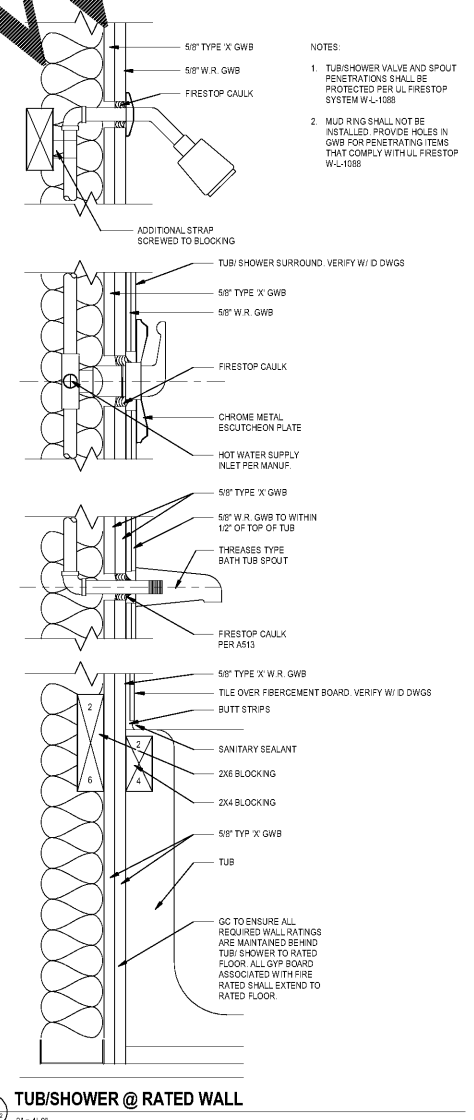
SHEET NO. PROJ. NO.
017378.00

A412

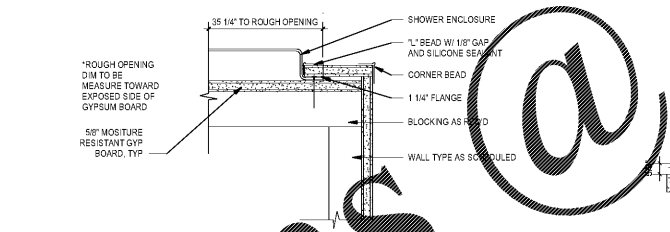
PLUMBING ACCESSORIES LEGEND



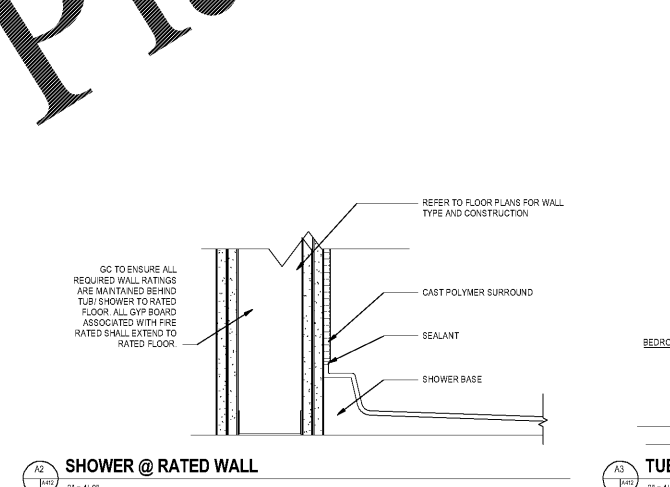
TYP PLUMBING FIXTURE MOUNTING HEIGHTS
3'-4" x 1'-0"



TYP ADA BATH DOOR THRESHOLD
3" x 1'-0"



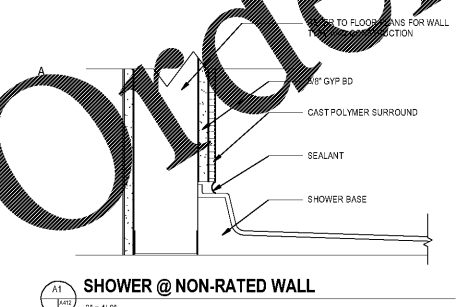
SHOWER SURROUND DETAIL
1'-2" x 1'-0"



TUB @ NON-RATED WALL
3" x 1'-0"

TUB/SHOWER @ RATED WALL
3" x 1'-0"

ORDER PLANS @ WWW.LDMLINE.COM



SHOWER @ NON-RATED WALL
3" x 1'-0"

D

C

B

A