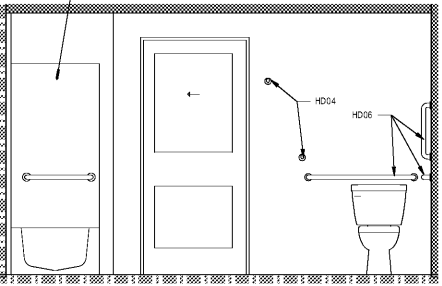
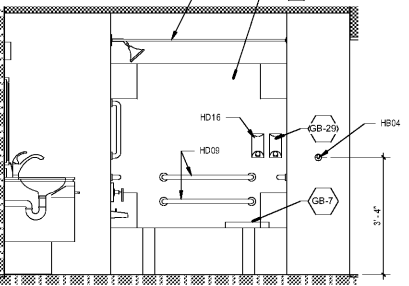


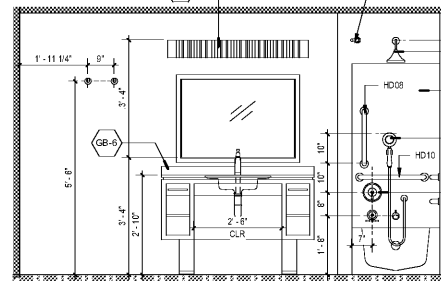
22 KING 1 BED ADA TUB ELEV D
1/2" = 1'-0"



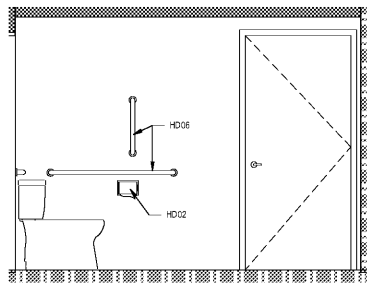
19 KING 1 BED ADA TUB ELEV C
1/2" = 1'-0"



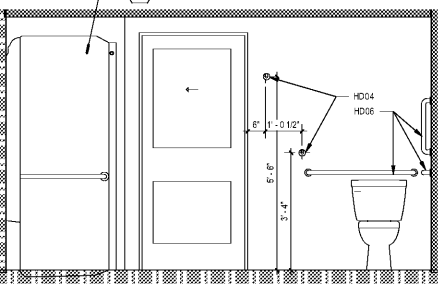
18 KING 1 BED ADA TUB ELEV B
1/2" = 1'-0"



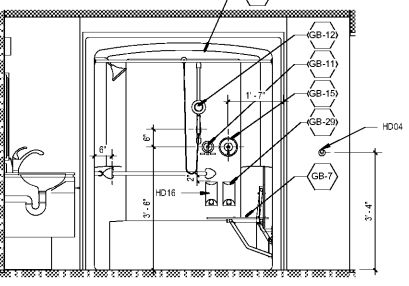
17 KING 1 BED ADA TUB ELEV A
1/2" = 1'-0"



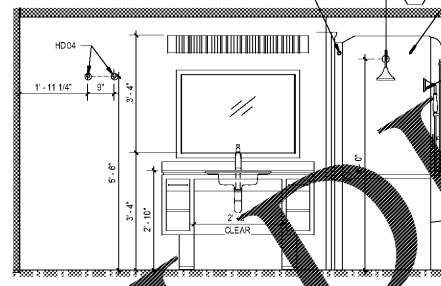
16 KING 1 BED ADA SHOWER ELEV D
1/2" = 1'-0"



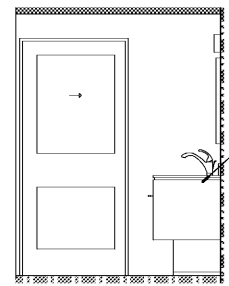
15 KING 1 BED ADA SHOWER ELEV C
1/2" = 1'-0"



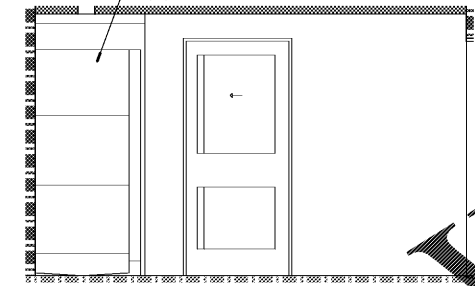
14 KING 1 BED ADA SHOWER ELEV B
1/2" = 1'-0"



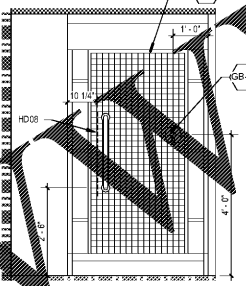
13 KING 1 BED ADA SHOWER ELEV A
1/2" = 1'-0"



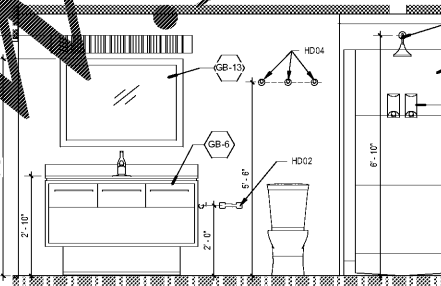
12 KING 1 BED BATH ELEV D
1/2" = 1'-0"



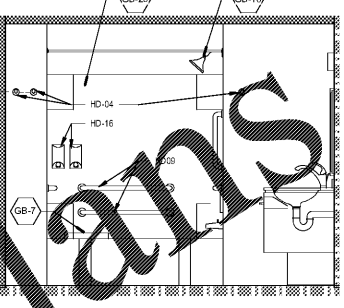
11 KING 1 BED BATH ELEV C
1/2" = 1'-0"



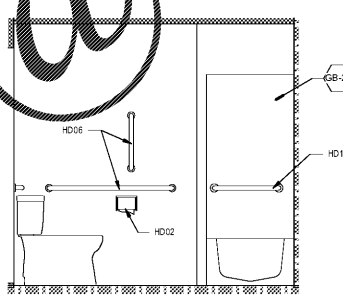
10 KING 1 BED BATH ELEV B
1/2" = 1'-0"



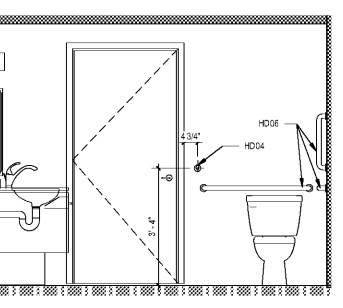
9 KING 1 BED BATH ELEV A
1/2" = 1'-0"



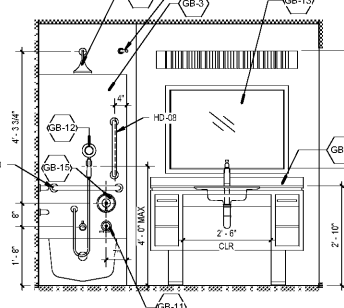
8 QUEEN STUDIO ADA BATH ELEV D
1/2" = 1'-0"



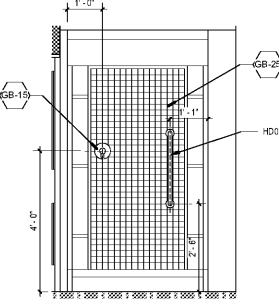
7 QUEEN STUDIO ADA BATH ELEV C
1/2" = 1'-0"



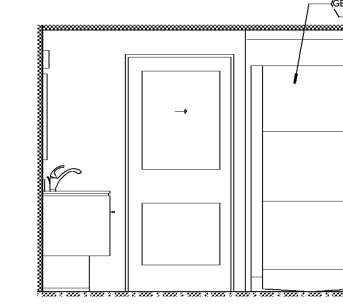
6 QUEEN STUDIO ADA BATH ELEV B
1/2" = 1'-0"



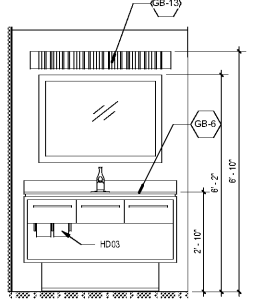
5 QUEEN STUDIO ADA BATH ELEV A
1/2" = 1'-0"



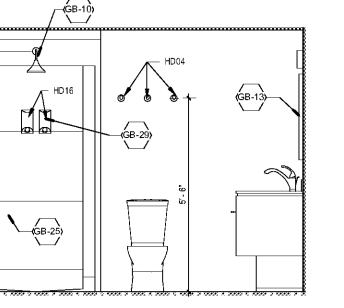
4 QUEEN STUDIO BATH ELEV D
1/2" = 1'-0"



3 QUEEN STUDIO BATH ELEV C
1/2" = 1'-0"



2 QUEEN STUDIO BATH ELEV B
1/2" = 1'-0"



1 QUEEN STUDIO BATH ELEV A
1/2" = 1'-0"

Keynote Value	Keynote Text
GB-3	TUBI SHOWER SURROUND - ACCESSIBLE SHOWER THRESHOLD 1/2" MAX HEIGHT BEVELED 1/2" MAX
GB-6	ACCESSIBLE VANITY UNIT, REFER TO FURNITURE DWGS AND ACCESSORIES
GB-7	ACCESSIBLE REMOVABLE TUBI SHOWER SEAT
GB-10	SHOWER HEAD
GB-11	SHOWER DIVERTER VALVE
GB-12	HAND SHOWER AND SIDE BAR, HAND-HELD SHOWER UNIT REQUIRED TO HAVE ON/OFF CONTROL W/ NON-POSITIVE SHUT OFF
GB-13	VANITY MIRROR AND LIGHT FIXTURE
GB-15	ON/OFF PRESSURE BALANCING VALVE
GB-25	SHOWER SURROUND
GB-29	SOAP DISPENSERS

BATH TOILET ROOM NOTES

- SEE SHEET A412 FOR ALL MOUNTING HEIGHTS OF PLUMBING FIXTURES, GRAB BARS, EQUIPMENT, AND ACCESSORIES.
- SEE SHEET A412 FOR PLUMBING ACCESSORIES LEGEND.
- ALL GYP BOARD AT WET WALL LOCATIONS TO BE GUESTROOM GENERAL NOTES

- REFER TO FFAE PACKAGE FOR FURNITURE, BUILT-IN MILLWORK & FINISH SCHEDULES.
- WALL RECEPTACLES/OUTLETS TO BE MOUNTED @ 12" AFF.
- THERMOSTATS AND DIMMER SWITCHES TO BE MOUNTED @ 48" AFF.
- WALL SWITCHES IN GUESTROOM BATHROOMS TO BE MOUNTED @ 48" AFF.
- WALL SWITCHES IN GUESTROOM BATHROOMS TO BE MOUNTED @ 48" AFF.
- WALL SWITCHES IN GUESTROOM BATHROOMS TO BE MOUNTED @ 48" AFF.
- WALL SWITCHES IN GUESTROOM BATHROOMS TO BE MOUNTED @ 48" AFF.
- WALL SWITCHES IN GUESTROOM BATHROOMS TO BE MOUNTED @ 48" AFF.
- WALL SWITCHES IN GUESTROOM BATHROOMS TO BE MOUNTED @ 48" AFF.
- WALL SWITCHES IN GUESTROOM BATHROOMS TO BE MOUNTED @ 48" AFF.
- WALL SWITCHES IN GUESTROOM BATHROOMS TO BE MOUNTED @ 48" AFF.
- WALL SWITCHES IN GUESTROOM BATHROOMS TO BE MOUNTED @ 48" AFF.
- WALL SWITCHES IN GUESTROOM BATHROOMS TO BE MOUNTED @ 48" AFF.
- WALL SWITCHES IN GUESTROOM BATHROOMS TO BE MOUNTED @ 48" AFF.
- WALL SWITCHES IN GUESTROOM BATHROOMS TO BE MOUNTED @ 48" AFF.

mcmillan
pazdan
smith
ARCHITECTURE



WINDSOR AUGHTRY
HOME2 ASHEVILLE
380 AIRPORT RD.
ARJEN, NC 28704

SHEET ISSUE		
07/30/18		
FOR CONSTRUCTION		
Number	Description	Date

PRINCIPAL IN CHARGE: BZ
PROJECT ARCHITECT: BZ
DRAWN BY: BT
SHEET TITLE: GUESTROOM BATH ELEVATIONS

SHEET NO. PROJ. NO. 017378.00

A411

ORDER PLANS @ WWW.ORDERPLANS.COM