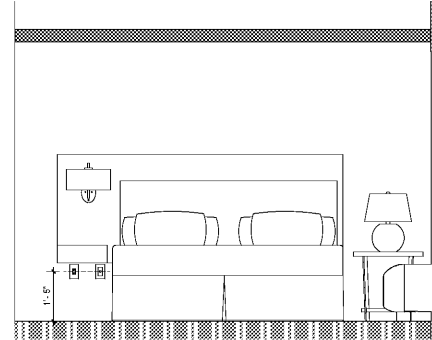
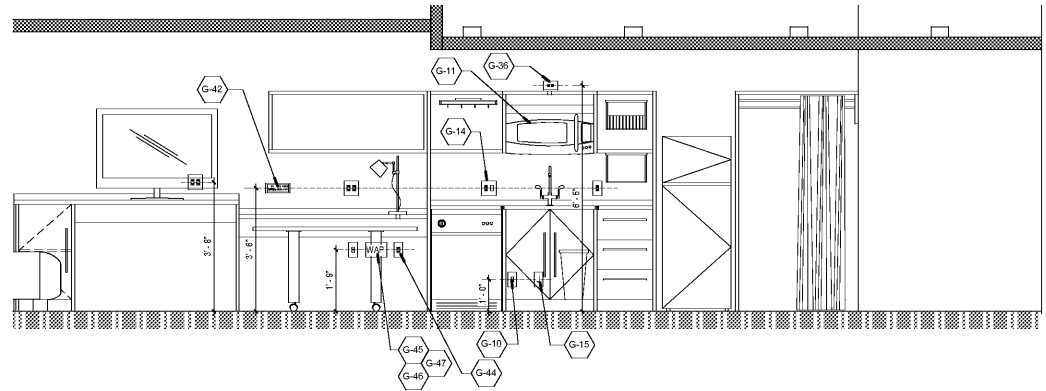


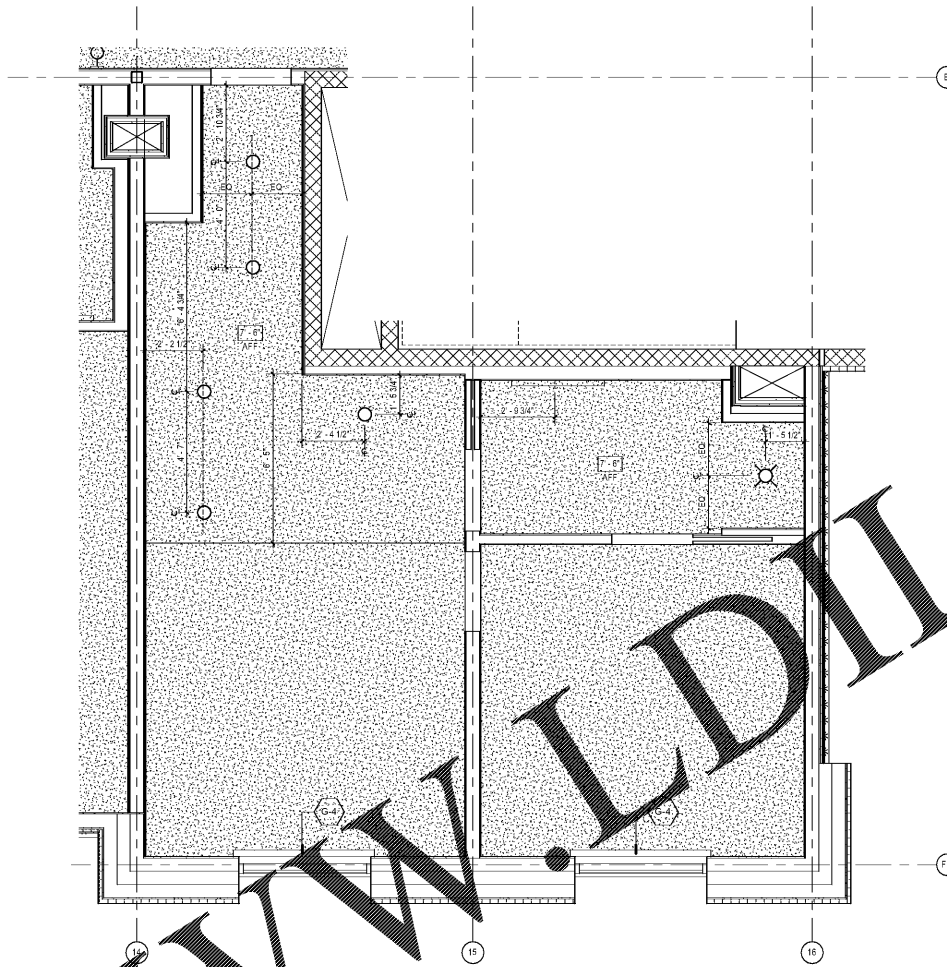
D1 KING 1 BEDROOM ELEV B
1/2" = 1'-0"



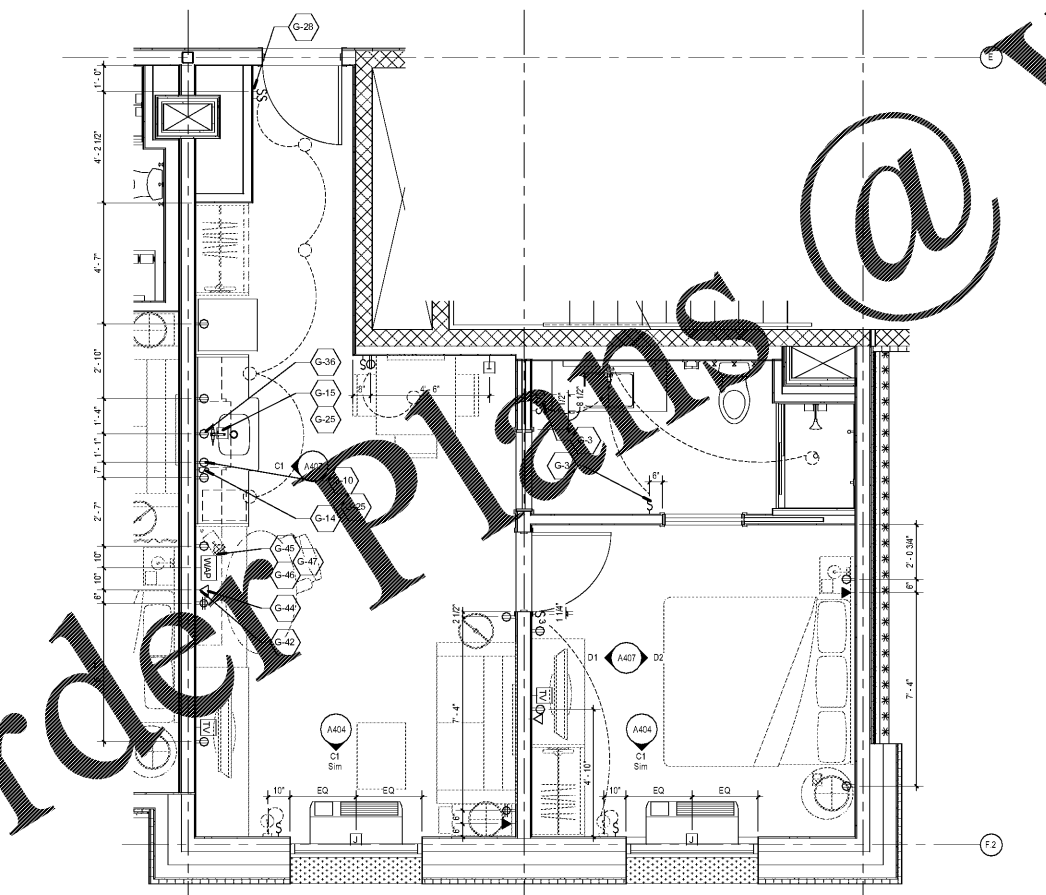
D2 KING 1 BEDROOM ELEV C
1/2" = 1'-0"



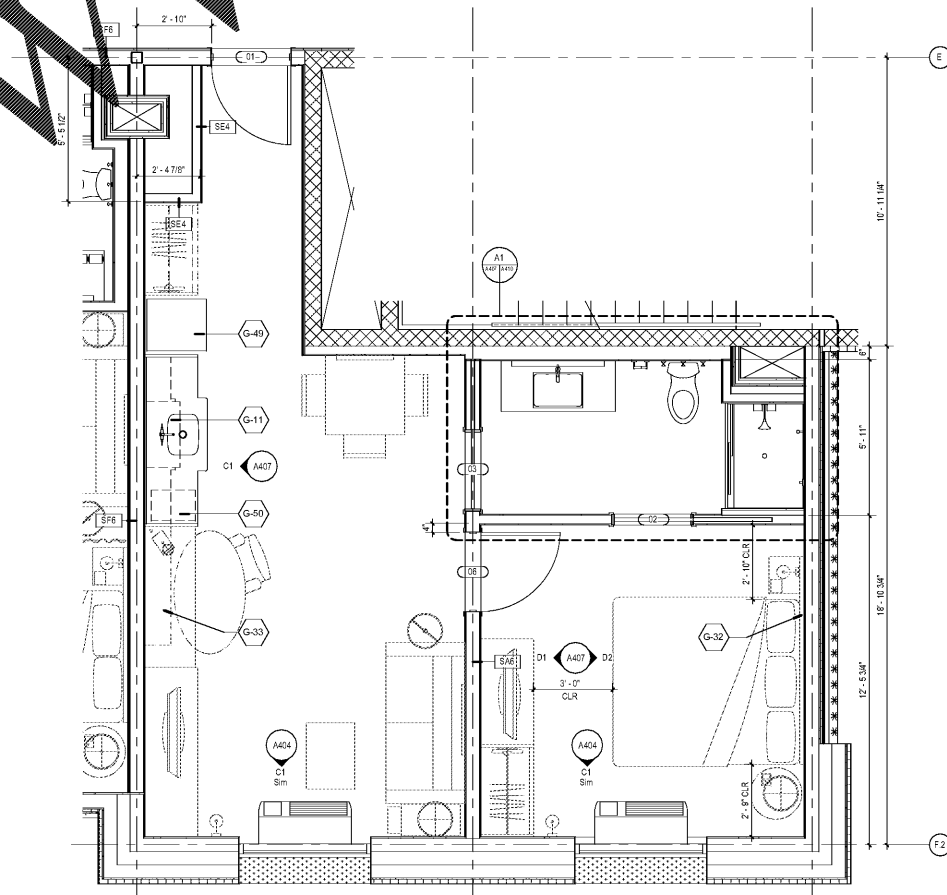
C1 KING 1 BEDROOM ELEV A
1/2" = 1'-0"



C3 KING 1 BEDROOM RCP
3/8" = 1'-0"



A1 KING 1 BEDROOM ELECTRICAL PLAN
3/8" = 1'-0"



A3 KING 1 BEDROOM PLAN
3/8" = 1'-0"

GUESTROOM RCP LEGEND

- GR-203 WALL MOUNTED LIGHT FIXTURE
- R1 RECESSED DOWNLIGHT FIXTURE
- R2 RECESSED WALL WASHLIGHT FIXTURE
- R3 RECESSED LIGHT FIXTURE W/ LENS - UL WET LABELED
- INTERIOR WALL SCONCE
- 5/8" GYP BOARD CEILING ON METAL STUDS

GUESTROOM ELEC LEGEND

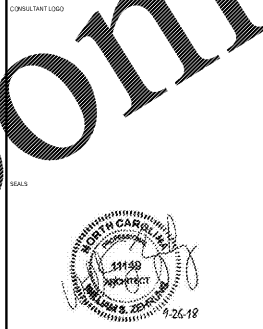
- DUPLEX OUTLET
- DATA OUTLET
- TV OUTLET
- WALL SWITCH
- STAT
- FLOOR MOUNTED JUNCTION BOX
- WALL MOUNTED JUNCTION BOX
- CEILING MOUNTED JUNCTION BOX

GUESTROOM GENERAL NOTES

1. REFER TO FPE PACKAGE FOR FURNITURE, BUILT-IN MILLWORK & FINISH SPEC.
2. WALL RECEPTACLES/ DATA PORTS TO BE MOUNTED @ 12" AFF TYP. UNO.
3. THERMOSTATS IN NON ADA ROOMS TO BE MOUNTED @ 5'-0" AFF TO TOP OF CONTROLS.
4. THERMOSTATS IN ADA ROOMS TO BE MOUNTED @ 48" AFF TO TOP OF CONTROLS.
5. LIGHT SWITCHES IN GUESTROOMS TO BE MOUNTED @ 48" AFF TO TOP OF CONTROLS. UNO.
6. LIGHT SWITCHES IN GUESTROOM BATHROOMS TO BE MOUNTED @ 40" AFF TO CENTERLINE OF CONTROLS. UNO.
7. IN ADA ROOMS, AT LEAST ONE OUTLET & DATA CONNECTION FOR USE BY GUESTS MUST BE MOUNTED BETWEEN 15" & 48" AFF AND PROVIDE A CLEAR FLOOR AREA OF 30"x48" IN FRONT OF OUTLET.
8. ALL DEVICES SHALL BE OFFSET SO THAT NO DEVICE IN ADJACENT GUESTROOMS ARE BACK TO BACK WITH LESS THAN 3" CLEARANCE BETWEEN THE REAR OF EACH BOX. OFFSET SHALL BE 8" CLEAR WHERE REQ'D. GC TO COORDINATE ALL OPENINGS IN CASework AS REQ'D.
9. ALL CONTROLS FOR USE BY GUESTS MUST BE MOUNTED BW 15" AFF & 48" AFF. OPERABLE CONTROLS LOCATED OVER AN OBSTRUCTION DEEPER THAN 10" MUST BE MOUNTED NO HIGHER THAN 48" AFF.
10. IF A CONFLICT EXISTS BETWEEN THE ELECTRICAL LAYOUT SHOWN ON THIS SHEET AND THE ELECTRICAL ENGINEER'S DRAWING CONCERNING PLACEMENT AND/OR ARRANGEMENT OF DEVICES, GC SHALL CONTACT ARCHITECT PRIOR TO CONSTRUCTION FOR CLARIFICATION.
11. SEE GUESTROOM ELEVATIONS THIS SHEET FOR OUTLET AND SWITCH HEIGHTS. UNLESS HEIGHT IS NOTED ON ELECTRICAL PLAN THIS SHEET. GUESTROOM ELEVATIONS PROVIDED TO SHOW ELECTRICAL OUTLET AND SWITCH HEIGHTS ONLY. SEE D DRAWINGS FOR ALL INFO RELATED TO FPE MOUNTING HEIGHTS AND FINISHES.
12. ALL GYP BOARD AT WET WALL LOCATIONS TO BE MOISTURE RESISTANT.

Keycode Value	Keynote Text
G-3	IN BATHROOM LOCATIONS ONLY, LIGHT SWITCH EQUIPPED WITH NIGHT LIGHT - MAINTAIN 2" DISTANCE FROM ALL OTHER DEVICES. MOUNTED SO TOP OF SWITCH IS 48" MAX AFF.
G-4	BLACK OUT ROLLER SHAVES
G-10	DEDICATED CIRCUIT FOR DISHWASHER
G-11	RANGE TOP STYLE MICROWAVE AFFIXED TO WALL
G-14	SWITCH CONTROLLING GARBAGE DISPOSAL
G-15	DEDICATED CIRCUIT FOR GARBAGE DISPOSAL
G-25	EXTEND JBOX, DEVICE & COVER PLATE FLUSH W/ MILLWORK BACK PANEL.
G-28	DOORBELL ON/OFF SWITCH (HEARING IMPAIRED ROOMS ONLY). PROVIDE SIGNAGE AS REQ'D.
G-32	GC TO PROVIDE BLOCKING TO RECEIVE ITEM INDICATED - EXTEND FULL LENGTH OF OBJECT.
G-33	GC TO COORDINATE W/ FURNITURE FABRICATOR WHERE NECESSARY TO PROVIDE PROPER BLOCKING IN WALL FOR ITEM KEYNOTED.
G-36	OUTLET ABOVE MICROWAVE - REFER TO ROOM ELEVATION. MOUNT DEVICE HORIZONTALLY. FACE PLATE TO BE WHITE.
G-42	DATA/POWER RECEPTACLE LOCATION FOR CONNECTIVITY PANEL.
G-44	WHEN AN OPTIONAL WIRED CONNECTION FOR GUEST IS ALSO PROVIDED, ANOTHER CAT-6/45 CABLE TERMINATED ON AN RJ-45 FEMALE JACK MUST BE PROVIDED ON THE WALL BELOW THE DESKTOP AREA. MAINTAIN 6" CLEARANCE FROM ALL OTHER OUTLETS AND DEVICES. A PATCH CORD SHOULD BE PROVIDED AT THE DESKTOP FOR GUEST CONVENIENCE.
G-45	EACH CABLE MUST HOMERUN BETWEEN THE GUESTROOM AND THE DF ON EACH FLOOR.
G-46	PROVIDE (1) CAT-6/45 CABLE IN EVERY GUESTROOM ON THE WALL BELOW THE DESKTOP AREA. TERMINATED ON AN RJ-45 FEMALE JACK FOR WIRELESS ACCESS POINT INFRASTRUCTURE (LINE POWERED WMP).
G-47	COORDINATE WMP LOCATION WITH CASEGOODS TO AVOID CONFLICT.
G-48	REFRIGERATOR
G-50	UNDER-COUNTER DISHWASHER

mcmillan
pazdan
smith
ARCHITECTURE



WINDSOR AUGHTRY
HOME2 ASHEVILLE
380 AIRPORT RD.
ASHEVILLE, NC 28704

SHEET ISSUE
07/30/18
FOR CONSTRUCTION

Number	Description	Date

PRINCIPAL IN CHARGE: BZ
PROJECT ARCHITECT: BZ
DRAWN BY: BT
SHEET TITLE:
GUESTROOM
PLANS - KING 1
BEDROOM
SHEET NO.:
PROJ. NO.: 017378.00

A407

Order Plans @