

GUESTROOM RCP LEGEND

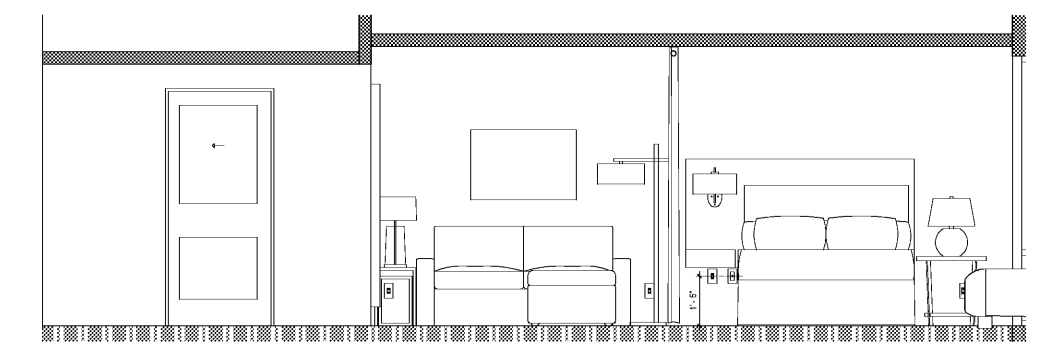
- GR-203 WALL MOUNTED LIGHT FIXTURE
- R1 RECESSED DOWNLIGHT FIXTURE
- R2 RECESSED WALL WASH LIGHT FIXTURE
- R3 RECESSED LIGHT FIXTURE W/ LENS UL-WET LABELED
- INTERIOR WALL SCONCE
- 5/8" GYP BOARD CEILING ON METAL STUDS

GUESTROOM ELEC LEGEND

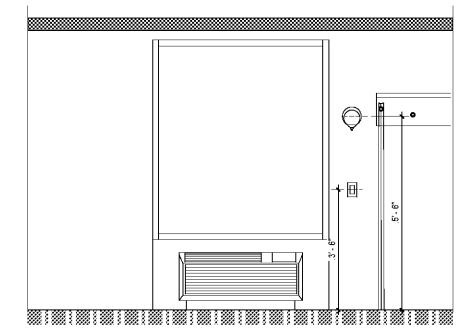
- DUPLICATE OUTLET
- QUAD OUTLET
- DATA OUTLET
- TV OUTLET
- WALL SW
- THERMOSTAT
- DOOR MOUNTED JUNCTION BOX
- WALL MOUNTED JUNCTION BOX
- CEILING MOUNTED JUNCTION BOX

GUESTROOM GENERAL NOTES

1. REFER TO FPE PACKAGE FOR FURNITURE, BUILT-IN MILLWORK & FINISH SPECS
2. WALL RECEPTACLES/DATA PORTS TO BE MOUNTED @ 17" AFF TOP UNO
3. THERMOSTATS IN NON ADA ROOMS TO BE MOUNTED @ 5'-0" AFF TO TOP OF CONTROLS
4. THERMOSTATS IN ADA ROOMS TO BE MOUNTED @ 48" AFF TO TOP OF CONTROLS
5. LIGHT SWITCHES IN GUESTROOMS TO BE MOUNTED @ 55" AFF TO TOP OF CONTROLS UNO
6. LIGHT SWITCHES IN GUESTROOM BATHROOMS TO BE MOUNTED @ 42" AFF TO CENTERLINE OF CONTROLS UNO
7. IN ADA ROOMS AT LEAST ONE OUTLET & DATA CONNECTION FOR USE BY GUESTS MUST BE MOUNTED BETWEEN 15" & 48" AFF AND PROVIDE A CLEAR FLOOR AREA OF 30"X48" IN FRONT OF OUTLET
8. ALL DEVICES SHALL BE OFFSET SO THAT NO DEVICE IN ADJACENT GUESTROOMS ARE BACK TO BACK WITH LESS THAN 3" CLEARANCE BETWEEN THE REAR OF EACH J BOX. OFFSET SHALL BE IF CLEAR WHERE REQD. GC TO COORDINATE ALL OPENINGS IN CASEWORK AS REQD.
9. ALL CONTROLS FOR USE BY GUESTS MUST BE MOUNTED BW 15" AFF & 48" AFF. OPERABLE CONTROLS LOCATED OVER AN OBSTRUCTION DEEPER THAN 12" MUST BE MOUNTED NO HIGHER THAN 48" AFF
10. IF A CONFLICT EXISTS BETWEEN THE ELECTRICAL LAYOUT SHOWN ON THIS SHEET AND THE ELECTRICAL ENGINEER'S DRAWING CONCERNING PLACEMENT AND/OR ARRANGEMENT OF DEVICES, GC SHALL CONTACT ARCHITECT PRIOR TO CONSTRUCTION FOR CLARIFICATION.
11. SEE GUESTROOM ELEVATIONS THIS SHEET FOR OUTLET AND SWITCH HEIGHTS, UNLESS HEIGHT IS NOTED ON ELECTRICAL PLAN THIS SHEET. GUESTROOM ELEVATIONS PROVIDED TO SHOW ELECTRICAL OUTLET AND SWITCH HEIGHTS ONLY. SEE ID DRAWINGS FOR ALL INFO RELATED TO FPE MOUNTING HEIGHTS AND FINISHES.
12. ALL GYP BOARD AT WET WALL LOCATIONS TO BE MOISTURE RESISTANT



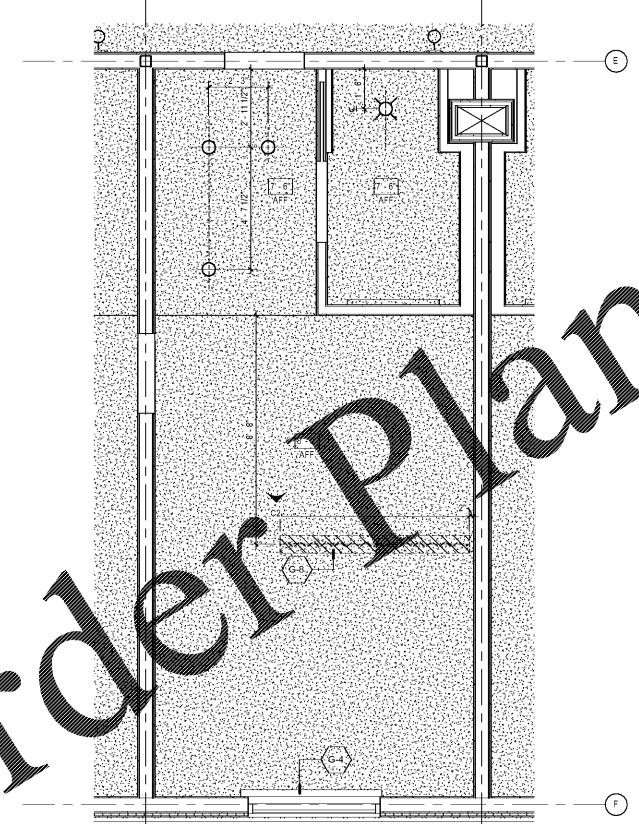
QUEEN STUDIO CONNECTOR ELEV B
1/2" = 1'-0"



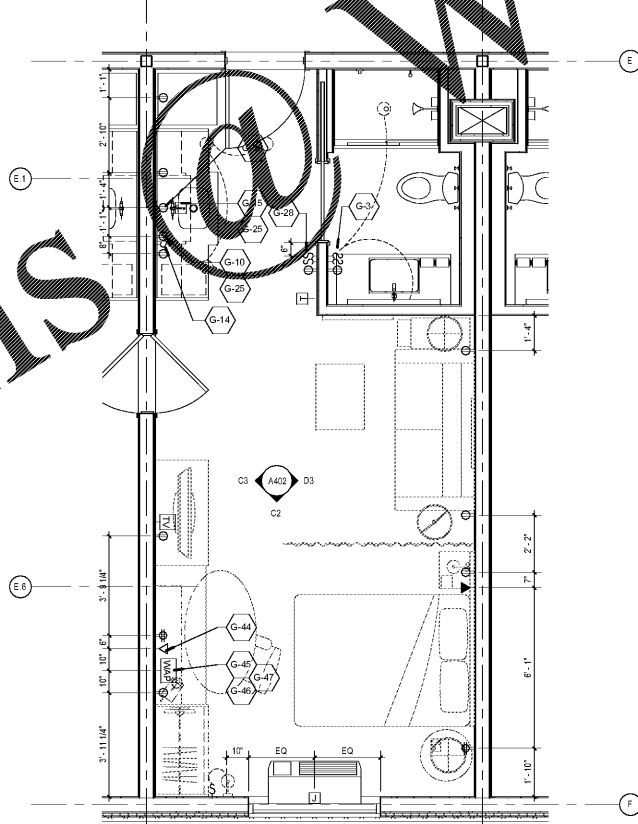
QUEEN STUDIO CONNECTOR ELEV C
1/2" = 1'-0"



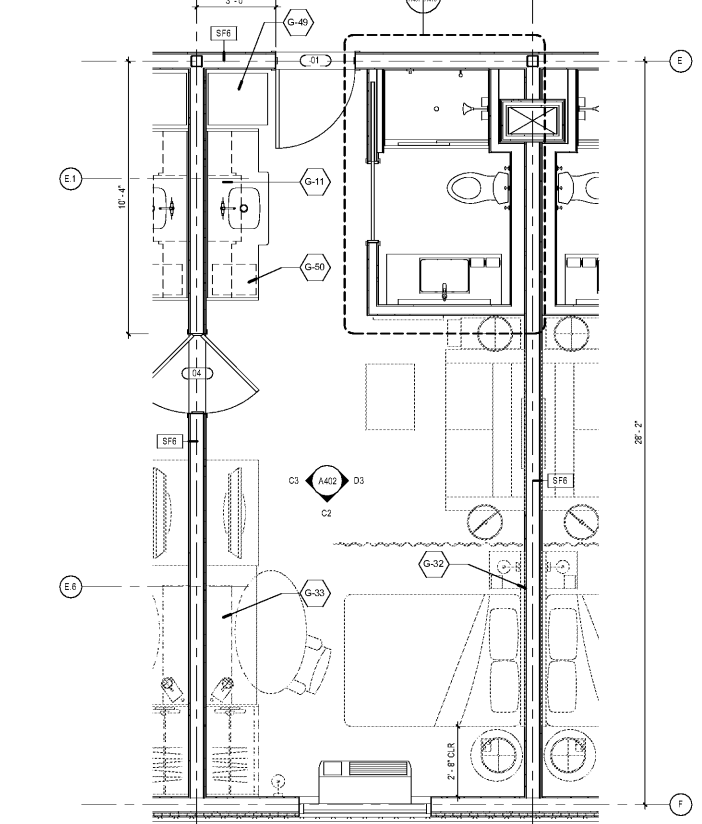
QUEEN STUDIO CONNECTOR ELEV A
1/2" = 1'-0"



QUEEN STUDIO CONNECTOR RCP
3/8" = 1'-0"



QUEEN STUDIO CONNECTOR ELECT PLAN
3/8" = 1'-0"



QUEEN STUDIO CONNECTOR PLAN
3/8" = 1'-0"

GUESTROOM KEYNOTES	
Keynote Value	Keynote Text
G-3	IN BATHROOM LOCATIONS ONLY LIGHT SWITCH EQUIPPED WITH NIGHT LIGHT - MAINTAIN 2" DISTANCE FROM ALL OTHER DEVICES MOUNTED 90 TOP OF SWITCH IS 48" MAX AFF
G-4	BLACK OUTLET ROLLER BRACKETS
G-8	CEILING MOUNTED DRAPERY ROD - PROVIDE BLOCKING AS REQD
G-10	DEDICATED CIRCUIT FOR DISHWASHER
G-11	RANGE TOP STYLE MICROWAVE AFFIXED TO WALL
G-14	SWITCH CONTROLLING GARBAGE DISPOSAL
G-15	DEDICATED CIRCUIT FOR GARBAGE DISPOSAL
G-25	EXTEND J BOX, DEVICE & COVER PLATE FLUSH W/ MILLWORK BACK PANEL
G-28	DOORBELL ON/OFF SWITCH (HEARING IMPAIRED ROOMS ONLY); PROVIDE SIGNAGE AS REQD
G-32	GC TO PROVIDE BLOCKING TO RECEIVE ITEM INDICATED - EXTEND FULL LENGTH OF OBJECT
G-33	GC TO COORDINATE W/ FIXTURE FABRICATOR WHERE NECESSARY TO PROVIDE PROPER BLOCKING IN WALL FOR ITEM KEYNOTED
G-36	OUTLET ABOVE MICROWAVE - REFER TO ROOM ELEVATION MOUNT DEVICE HORIZONTALLY FACE PLATE TO BE WHITE
G-44	WHEN AN OPTIONAL WIRED CONNECTION FOR GUEST IS ALSO PROVIDED, ANOTHER CATER-45 CABLE TERMINATED ON AN 8 PIN RJ45 FEMALE JACK MUST BE PROVIDED ON THE WALL BELOW THE DESKWORK AREA. MAINTAIN 6" CLEARANCE FROM ALL OTHER OUTLETS AND DEVICES. A PATCH CORD SHOULD BE PROVIDED AT THE DESKTOP FOR GUEST CONVENIENCE
G-45	EACH CABLE MUST HOMERUN BETWEEN THE GUESTROOM AND THE DF ON EACH FLOOR
G-46	PROVIDE (1) CAT-5E CABLE IN EVERY GUESTROOM ON THE WALL BELOW THE DESKWORK AREA TERMINATED ON AN 8 PIN RJ45 FEMALE JACK FOR WIRELESS ACCESS POINT INFRASTRUCTURE (LINE POWERED WAP)
G-47	COORDINATE WAP LOCATION WITH CASEGOODS TO AVOID CONFLICT
G-48	REFRIGERATOR
G-50	UNDER-COUNTER DISHWASHER

mcmillan
pazdan
smith
ARCHITECTURE



WINDSOR AUGHTRY
HOME2 ASHEVILLE

380 AIRPORT RD.
ARDEEN, NC 28704

SHEET ISSUE
07/30/18
FOR CONSTRUCTION

Revisions		
Number	Description	Date

PRINCIPAL IN CHARGE: BZ
PROJECT ARCHITECT: BZ
DRAWN BY: BT

SHEET TITLE:
**GUESTROOM
PLANS - QUEEN
STUDIO
CONNECTOR**

PROJ. NO.
017378.00

A402

ORDER PLANS ONLINE.COM
 10000 WINDYBROOK DRIVE, SUITE 100, FARMERS BRANCH, TEXAS 75448
 TEL: 972-267-0099
 WWW.ORDERPLANSONLINE.COM