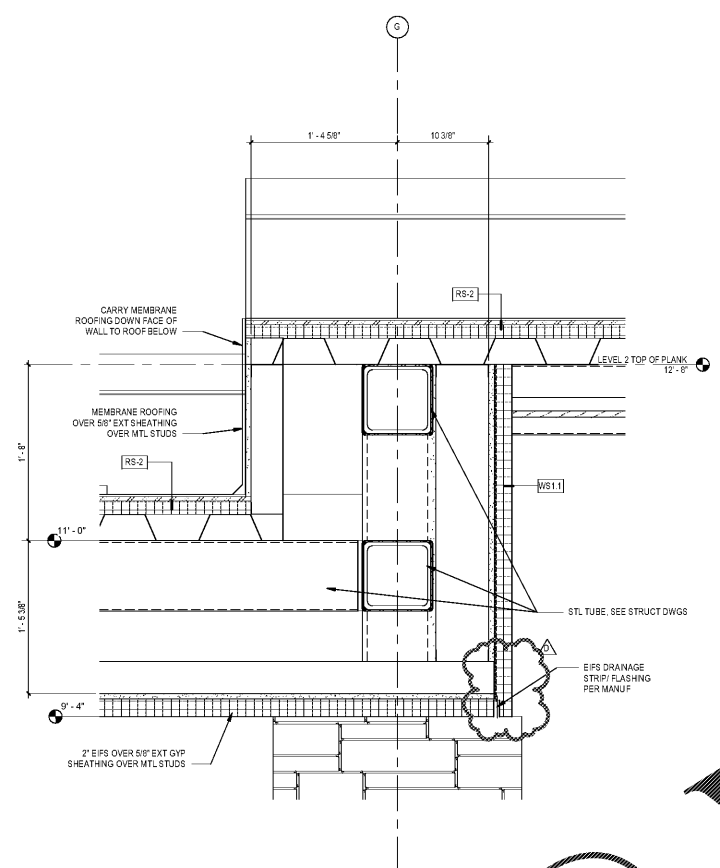
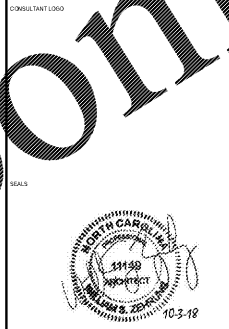
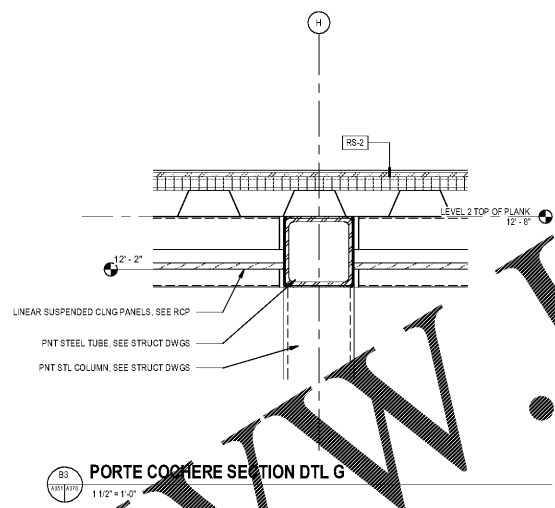


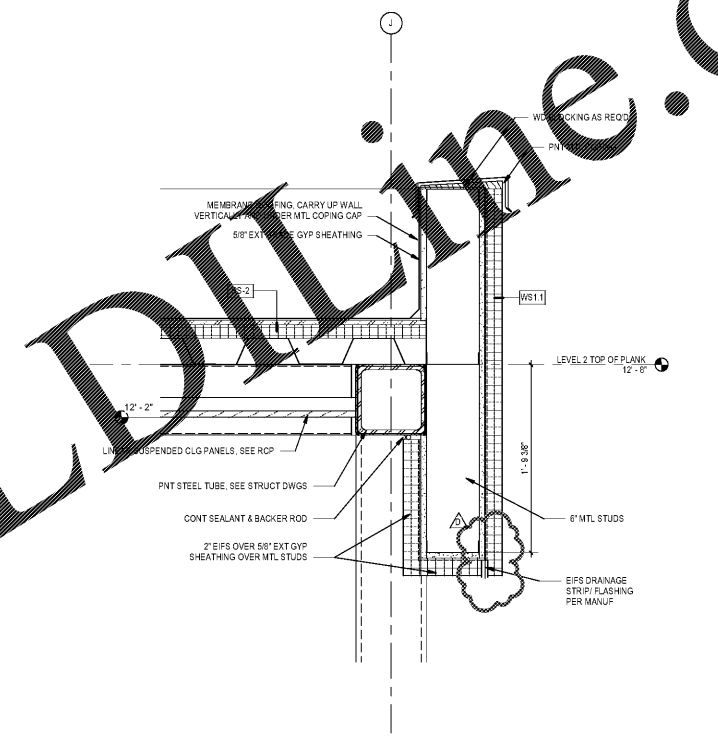
WALL SECTION KEYNOTES	
Keynote Value	Keynote Text
PC3	PRECAST CONCRETE PROFILE 3



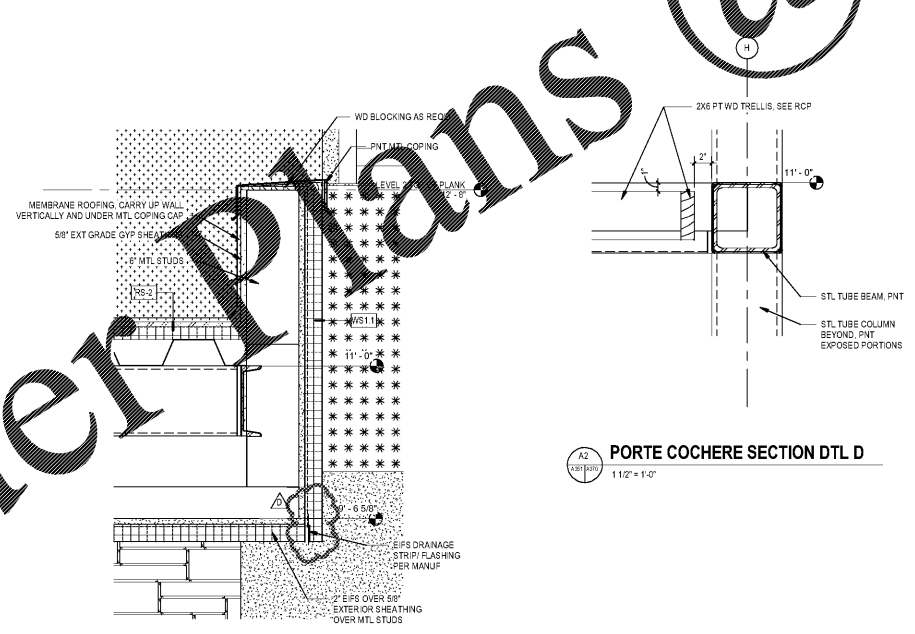
PORTE COCHERE SECTION DTL E
1 1/2" = 1'-0"



PORTE COCHERE SECTION DTL G
1 1/2" = 1'-0"

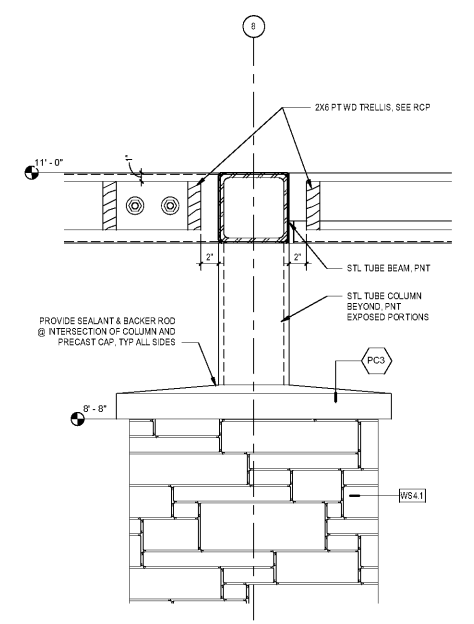


PORTE COCHERE SECTION DTL F
1 1/2" = 1'-0"

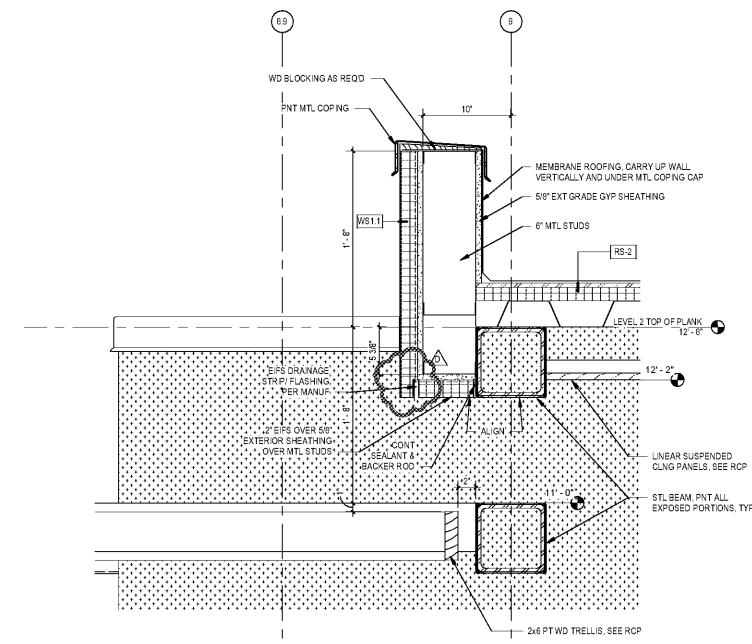


PORTE COCHERE SECTION DTL C
1 1/2" = 1'-0"

PORTE COCHERE SECTION DTL D
1 1/2" = 1'-0"



PORTE COCHERE SECTION DTL B
1 1/2" = 1'-0"



PORTE COCHERE SECTION DTL A
1 1/2" = 1'-0"

WINDSOR AUGHTRY
HOME2 ASHEVILLE
380 AIRPORT RD.
ARJEN, NC 28704

SHEET ISSUE
07/30/18
FOR CONSTRUCTION

Revisions		
Number	Description	Date
D	Addendum 4-Bg Question Responses	10/3/18

PRINCIPAL IN CHARGE: BZ
PROJECT ARCHITECT: BZ
DRAWN BY: BT

SHEET TITLE:
**PORTE COCHERE
SECTION DETAILS**

SHEET NO. PROJ. NO.
017378.00

A370

ORDER PLANS @ WWW.LDLINE.COM
 ALL RIGHTS RESERVED. NO PART OF THIS DOCUMENT IS TO BE REPRODUCED OR TRANSMITTED IN ANY FORM OR BY ANY MEANS, ELECTRONIC OR MECHANICAL, INCLUDING PHOTOCOPYING, RECORDING, OR BY ANY INFORMATION STORAGE AND RETRIEVAL SYSTEM, WITHOUT THE WRITTEN PERMISSION OF THE ARCHITECT. THE ARCHITECT'S LIABILITY IS LIMITED TO THE PROFESSIONAL SERVICES PROVIDED HEREIN. THE ARCHITECT DOES NOT WARRANT THE ACCURACY OF THE INFORMATION PROVIDED HEREIN. THE ARCHITECT'S LIABILITY IS LIMITED TO THE PROFESSIONAL SERVICES PROVIDED HEREIN. THE ARCHITECT DOES NOT WARRANT THE ACCURACY OF THE INFORMATION PROVIDED HEREIN.