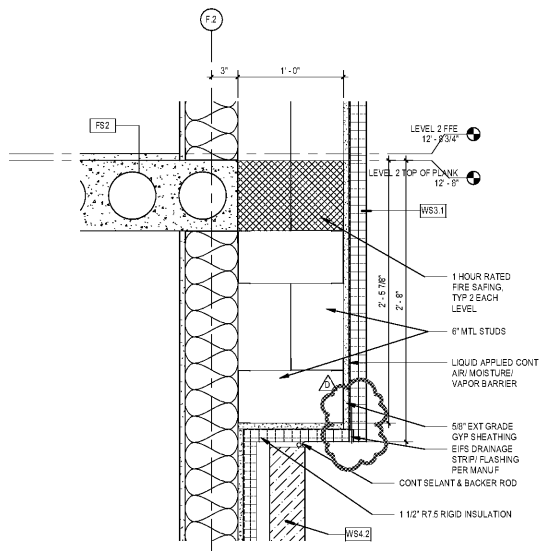


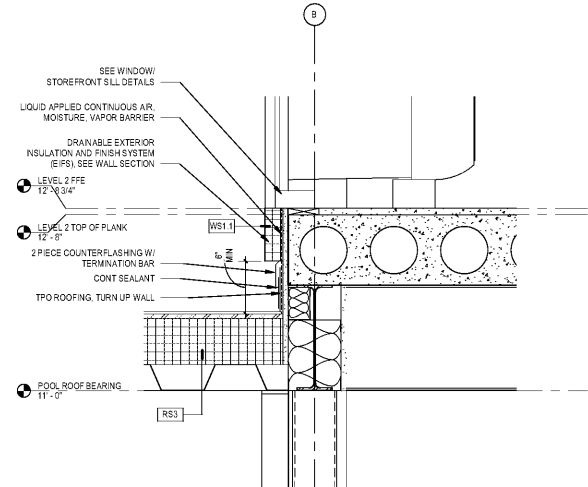
WALL SECTION KEYNOTES	
Keynote Value	Keynote Text
EP4	EFS PROFILE 4



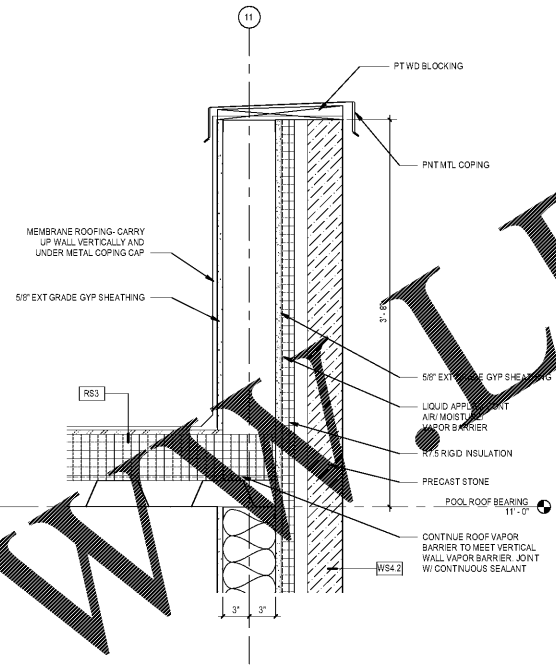
WWW.LDOnline.com



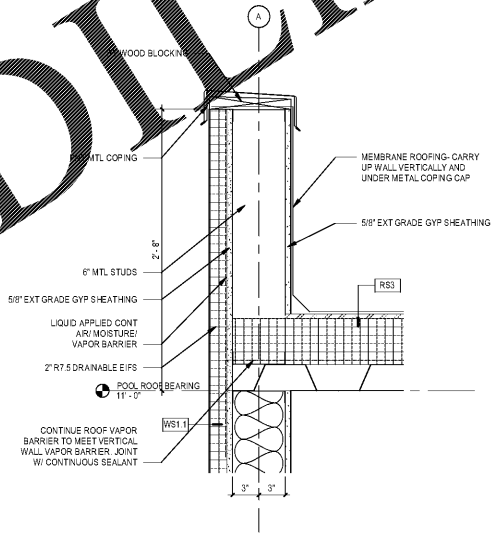
WALL SECTION T DETAIL
1 1/2" = 1'-0"



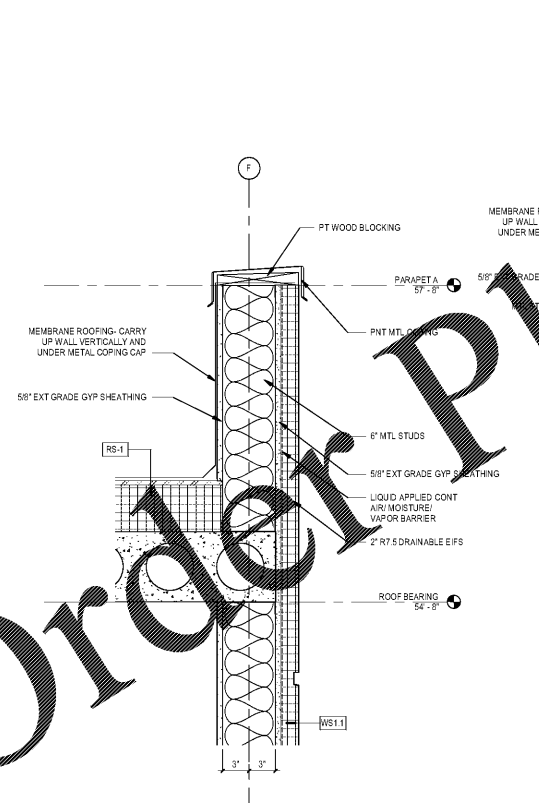
WALL SECTION M DETAIL
1 1/2" = 1'-0"



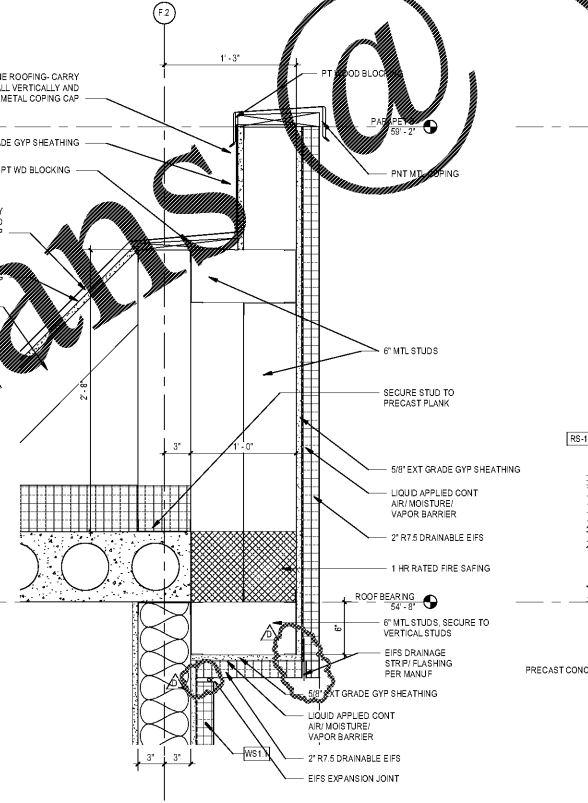
PARAPET DTL F
1 1/2" = 1'-0"



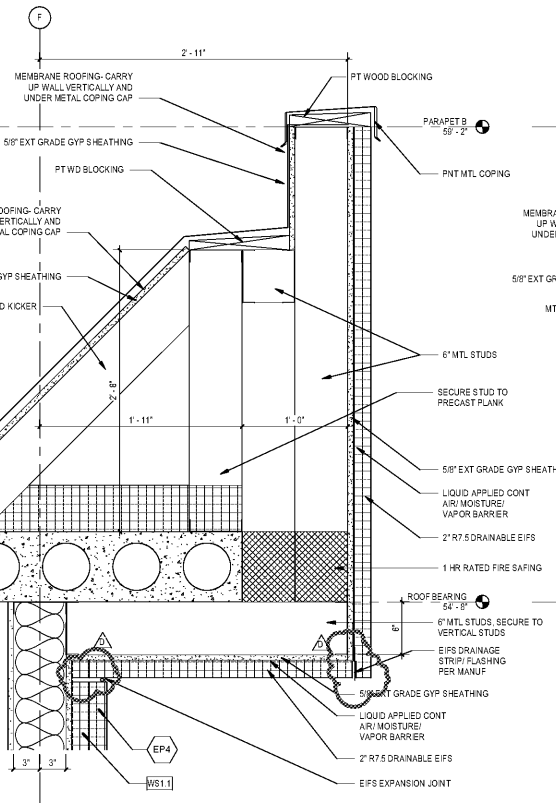
PARAPET DTL E
1 1/2" = 1'-0"



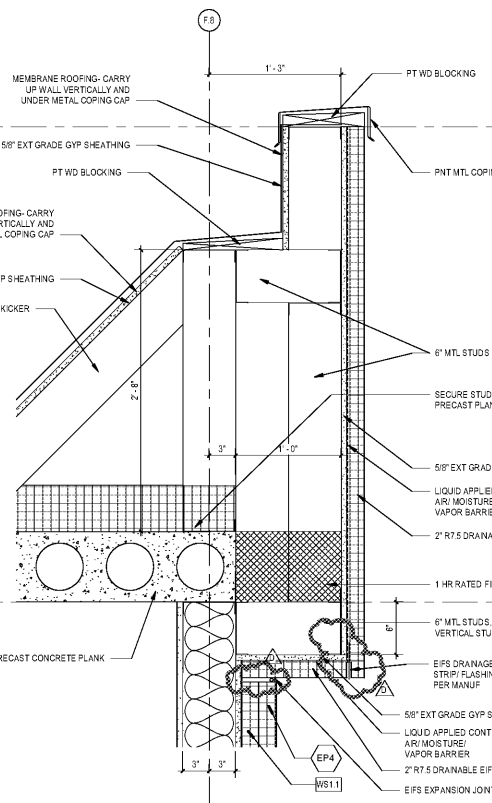
PARAPET DTL D
1 1/2" = 1'-0"



PARAPET DTL C
1 1/2" = 1'-0"



PARAPET DTL B
1 1/2" = 1'-0"



PARAPET DTL A
1 1/2" = 1'-0"

WINDSOR AUGHTRY
HOME2 ASHEVILLE
380 AIRPORT RD.
ARJEN, NC 28704

SHEET ISSUE
07/30/18
FOR CONSTRUCTION

Revisions		
Number	Description	Date
D	Addendum 4-BQ Question Responses	10/03/18

PRINCIPAL IN CHARGE
PROJECT ARCHITECT
DRAWN BY:
SHEET TITLE:
**WALL SECTION
DETAILS**

SHEET NO.
PROJ. NO.
017376.00

A361

ALL DIMENSIONS UNLESS OTHERWISE NOTED. SEE NOTES FOR MATERIALS AND FINISHES. ALL WALLS TO BE CONSTRUCTED IN ACCORDANCE WITH THE 2015 INTERNATIONAL BUILDING CODE (IBC) AND THE 2015 INTERNATIONAL RESIDENTIAL CODE (IRC). ALL WALLS TO BE CONSTRUCTED WITH A MINIMUM OF 12\"/>

Order Plans