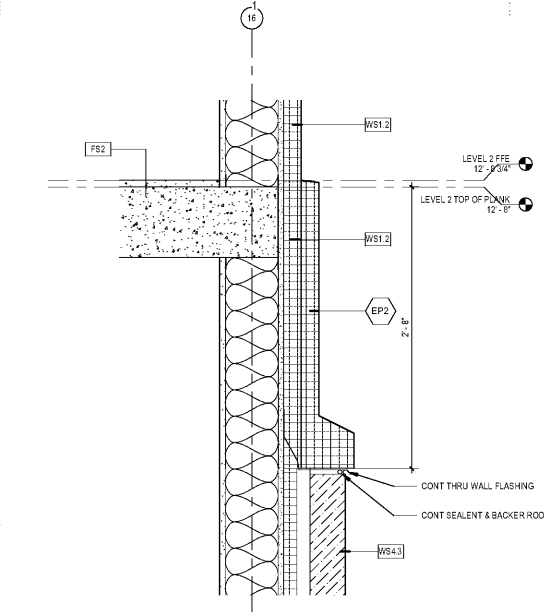
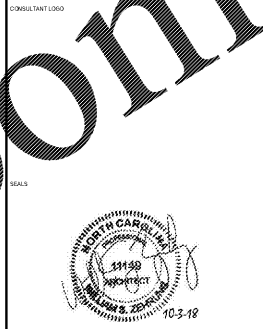
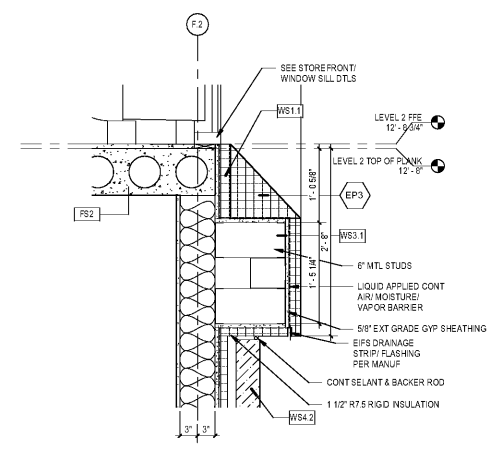


WALL SECTION KEYNOTES	
Keynote Value	Keynote Text
EP2	EFS PROFILE 2
EP3	EFS PROFILE 3
PC1	PRECAST CONCRETE PROFILE 1
PC2	PRECAST CONCRETE PROFILE 2

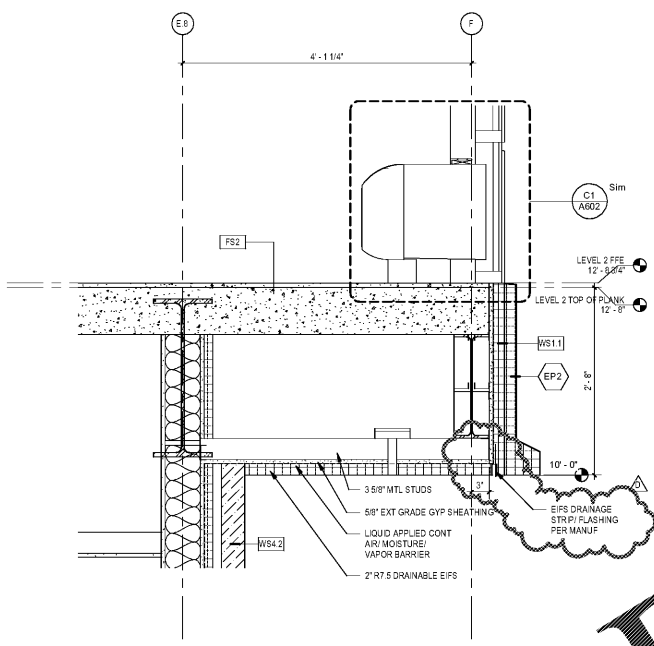
mcmillan
pazdan
smith
ARCHITECTURE



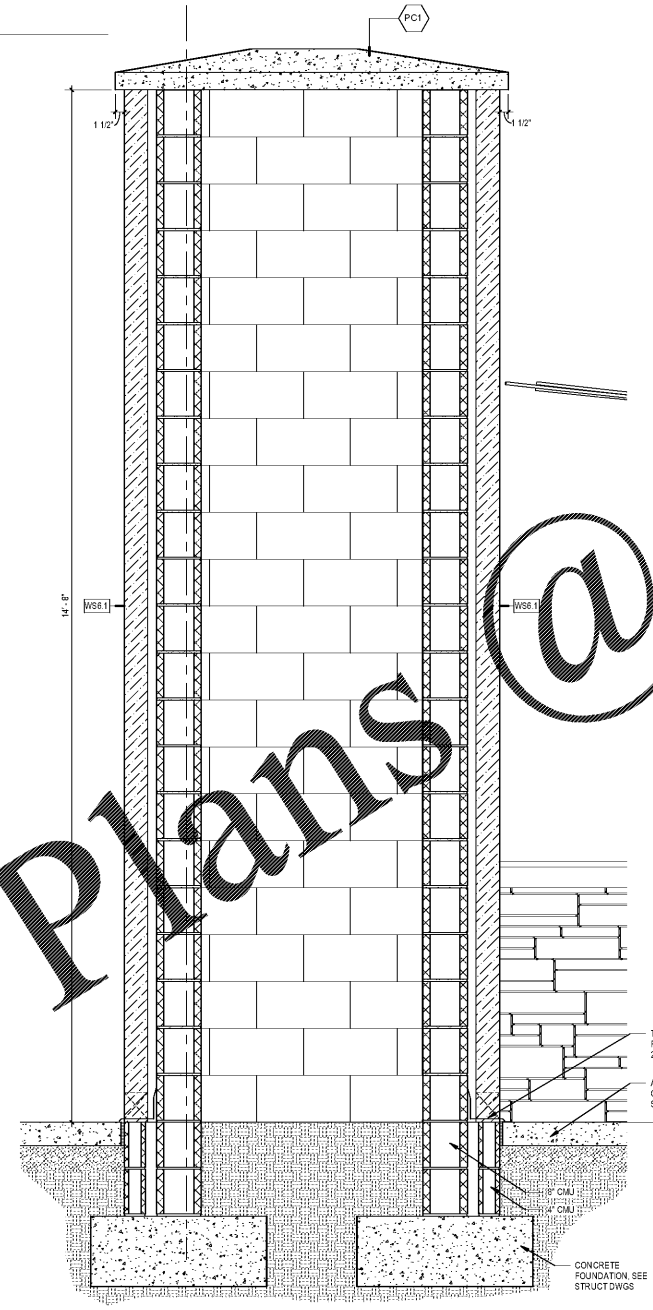
D1 WALL SECTION H DETAIL
1 1/2" x 1'-0"



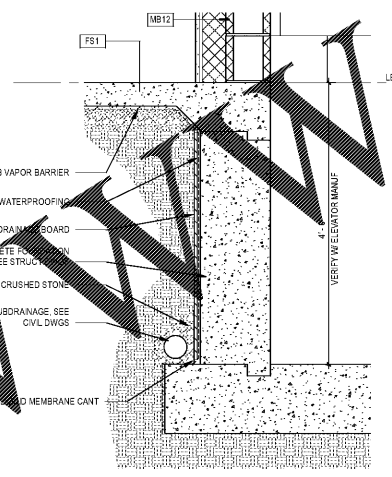
D2 WALL SECTION F DETAIL
1" x 1'-0"



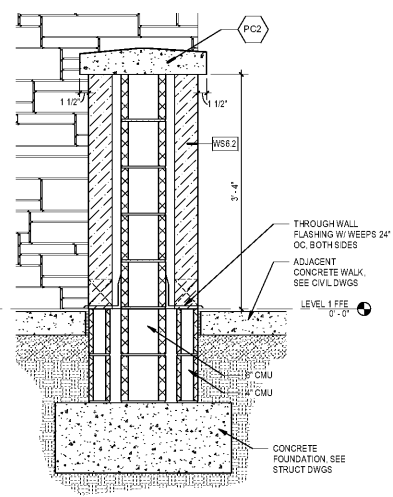
D3 WALL SECTION D DETAIL
1" x 1'-0"



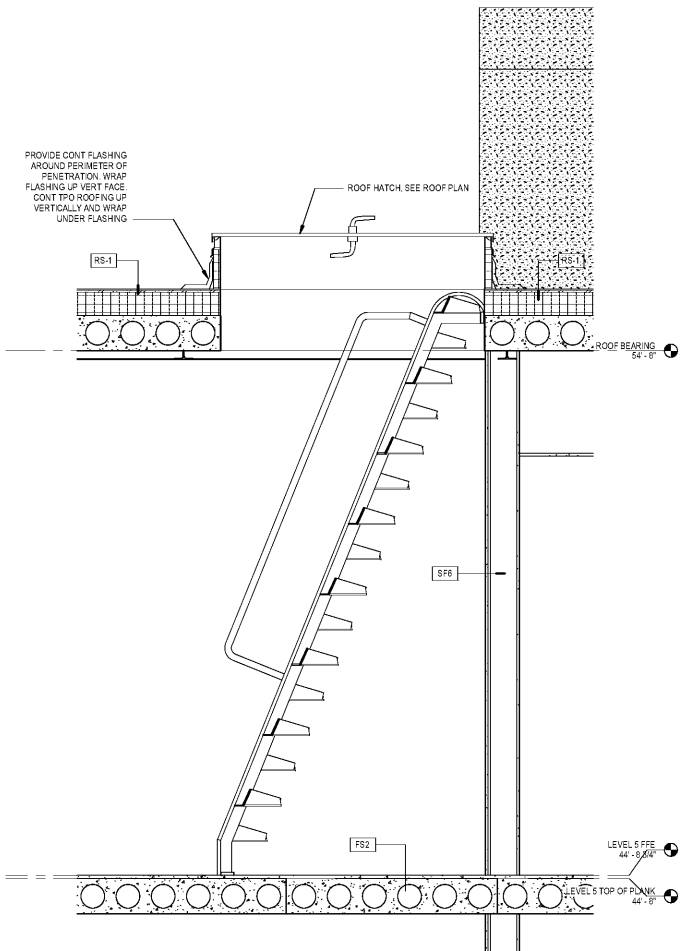
A1 EXT PATIO WALL SECTION B
1" x 1'-0"



B1 ELEVATOR PIT WALL DETAIL
1" x 1'-0"



A3 EXT PATIO WALL SECTION A
1" x 1'-0"



A5 ROOF HATCH SECTION A
3/4" x 1'-0"

WINDSOR AUGHTRY
HOME2 ASHEVILLE
380 AIRPORT RD.
ASHEVILLE, NC 28704

SHEET ISSUE
07/30/18
FOR CONSTRUCTION

Revisions		
Number	Description	Date
D	Addendum 4-Big Question Responses	10/3/18

PRINCIPAL IN CHARGE: BZ
PROJECT ARCHITECT: BZ
DRAWN BY: BT
SHEET TITLE:
WALL SECTION
DETAILS

SHEET NO. PROJ. NO.
017378.00

A360

Order Plans @

WWW.LDILine.com