

RCP LEGEND

- WALL MOUNTED LIGHT FIXTURE. SEE INT DESIGN DWGS
- R1 RECESSED DOWNLIGHT FIXTURE. SEE ELECT DWGS
- R2 RECESSED WALL WASH LIGHT FIXTURE. SEE ELECT DWGS
- ⊗ R3 RECESSED LIGHT FIXTURE W/ LENS UL WET LABELED. SEE ELECT DWGS
- R4 SMALL RECESSED DOWNLIGHT (HALOGEN LAMP) W/ NARROW BEAM SPREAD. SEE ELECT DWGS
- ⊗ EXTERIOR RECESSED LIGHT FIXTURE. SEE ELECT DWGS
- INTERIOR WALL SCONCE. SEE INT DESIGN DWGS
- S-1 CEILING WASH WALL SCONCE. SEE ELECT DWGS
- S-2 EXTERIOR WALL SCONCE. SEE ELECT DWGS
- EXTERIOR WALL SCONCE - DOWN LIGHT. SEE ELECT DWGS
- ROUND RECESSED LIGHT FIXTURE. SEE INTERIOR DESIGN DRAWINGS
- DECORATIVE SUSPENDED LIGHT FIXTURE. SEE INTERIOR DESIGN DWGS
- SQUARE SURFACE MOUNT LIGHT FIXTURE. SEE ELECT DWGS
- T-1 2X2 LAY-IN FIXTURE. SEE ELECT DWGS
- T-2 2X4 LAY-IN FIXTURE. SEE ELECT DWGS
- T-3 1X4 SUSPENDED LIGHT FIXTURE. SEE ELECT DWGS
- C-1 RECESSED COVE FIXTURE. SEE ELECT DWGS
- G-1 EXTERIOR HEAVY DUTY LIGHT STRIP. SEE ELECT DWGS
- IN-GROUND UP-LIGHT. SEE ELECT DWGS
- 5/8" GYP BOARD CEILING ON METAL STUDS
- 2X2 ACOUSTICAL CEILING TILE PERFORATED MINERAL FIBER UNO
- 2X4 ACOUSTICAL CEILING TILES: WASHABLE & MOISTURE RESISTANT. MUST SUITABLE FOR FOOD PREPARATION AREAS IN FOOD PREP 120. NON PERFORATED PLASTIC VINYL FACED MINERAL FIBER
- ARMSTRONG METALWORKS LINEAR EXTERIOR GRADE SUSPENDED CEILING PANELS- 6" WIDTH

BLDG MATERIALS LEGEND

- ARRISORRAFT FULL BED STONE PRODUCT: SHADOW STONE COLOR: DRIFTWOOD
- EIFS COLOR 1: BENJAMIN MOORE BARREN PLAIN 2111-60
- EIFS COLOR 2: BENJAMIN MOORE STARDUST 2105-40
- EIFS COLOR 3: YELLOW HIGHLIGHTER 2021-40
- EIFS COLOR 4: BENJAMIN MOORE CHANTILLY LACE 2121-70
- EIFS COLOR 4: BENJAMIN MOORE GENTLEMAN'S GRAY 2062-20

WINDSOR AUGHTRY
HOME2 ASHEVILLE
390 AIRPORT RD.
ASHEVILLE, NC 28704

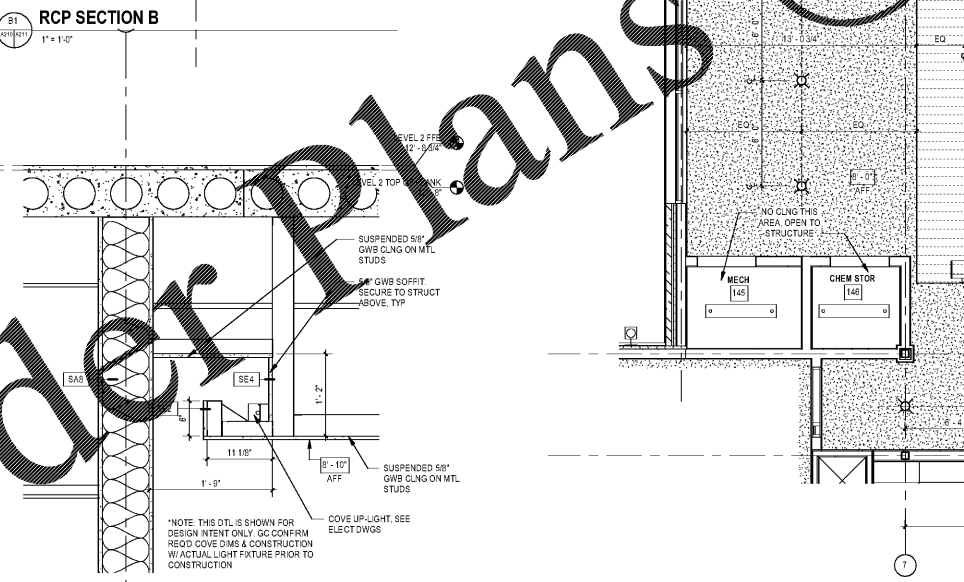
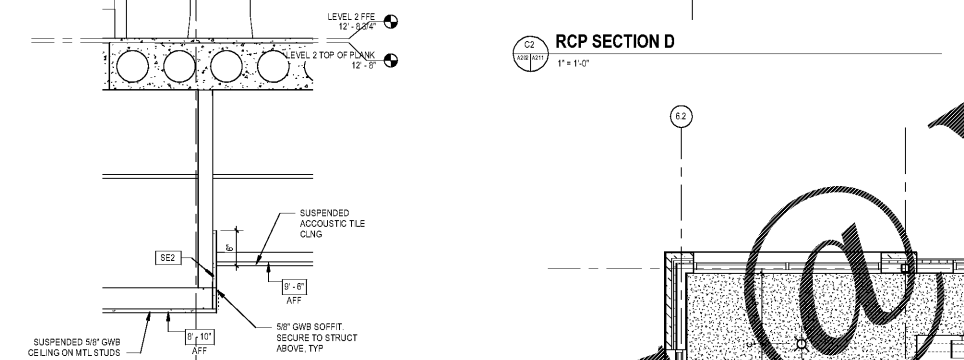
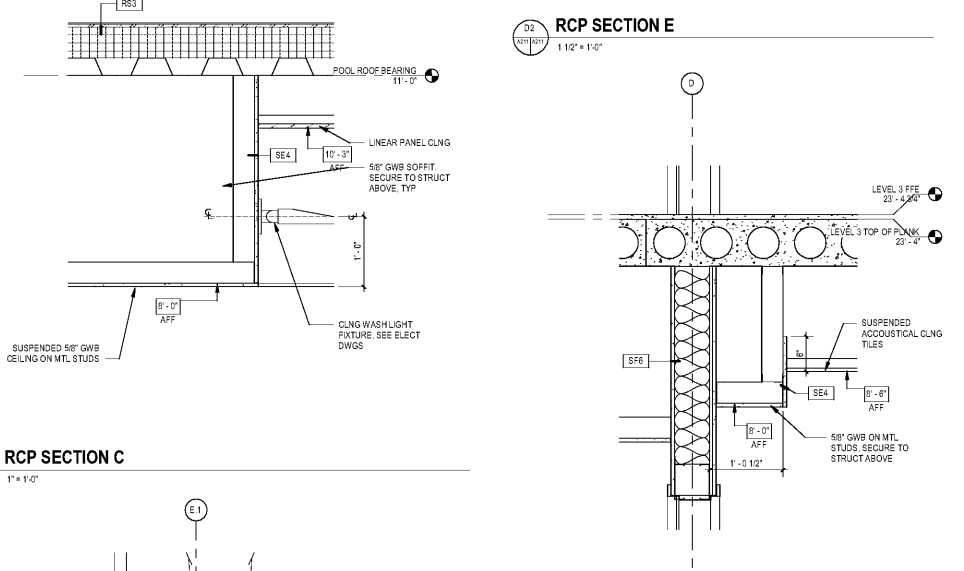
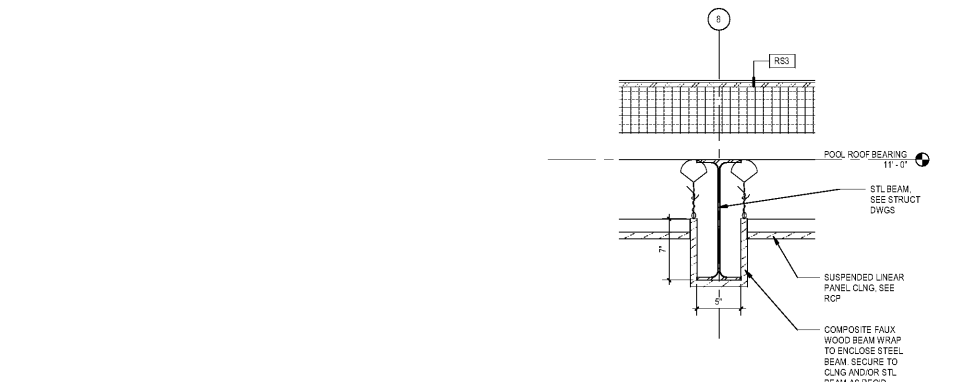
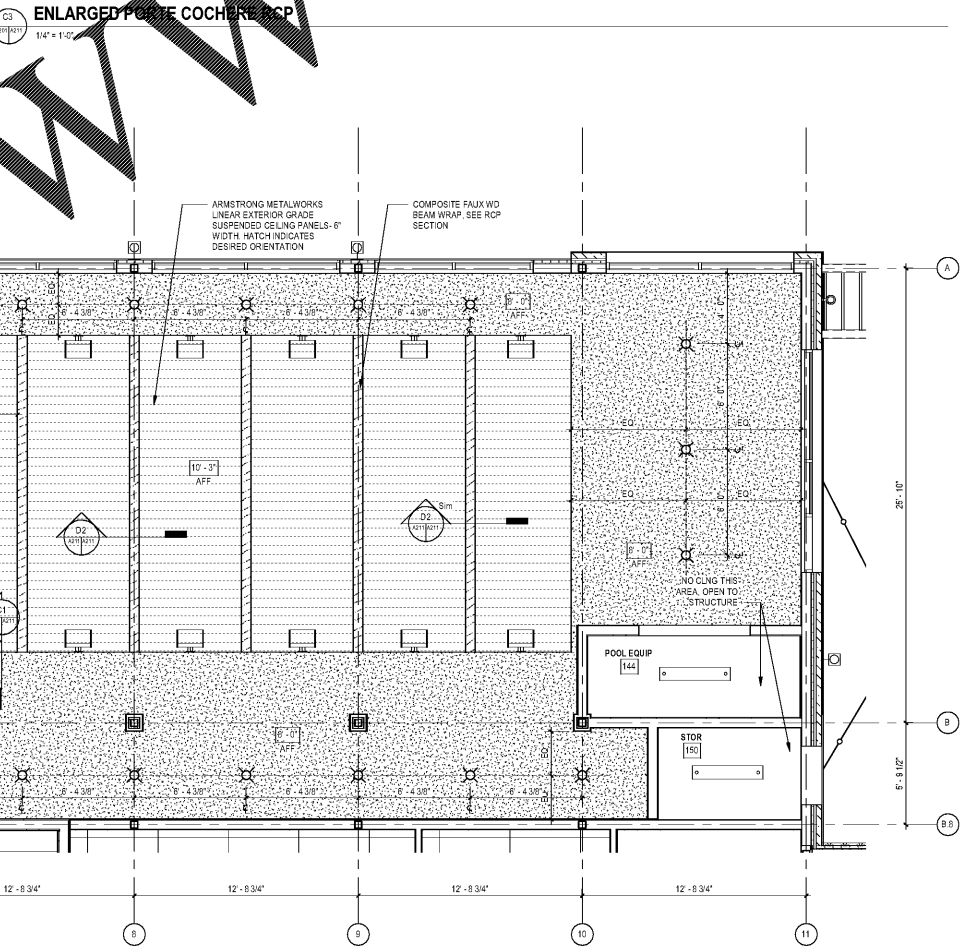
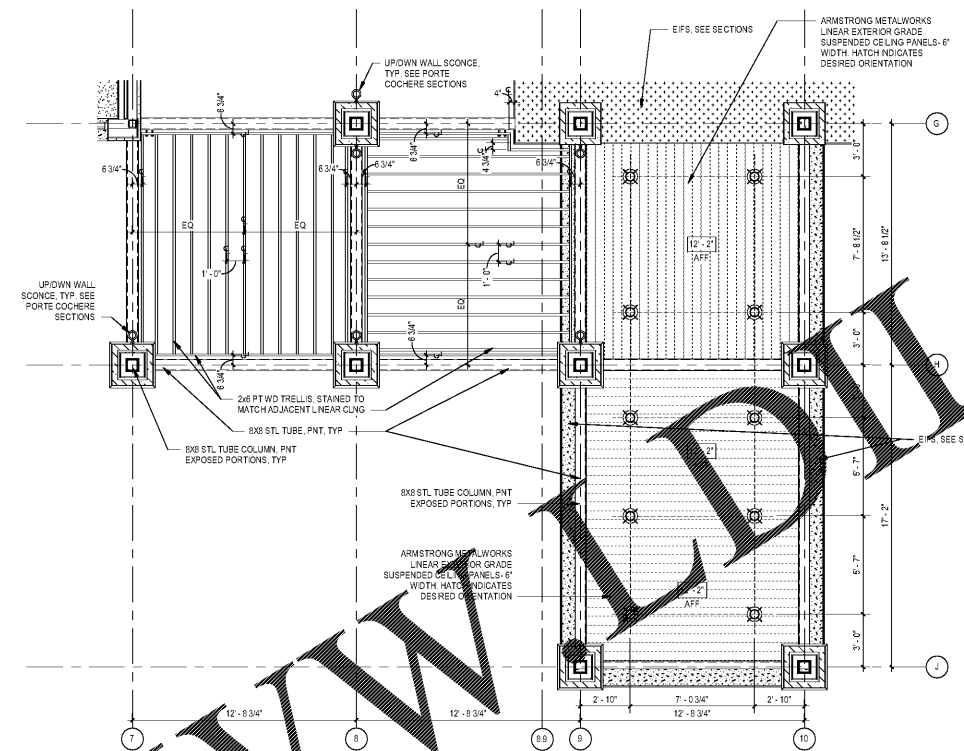
SHEET ISSUE
07/30/18
FOR CONSTRUCTION

Revisions		
Number	Description	Date

PRINCIPAL IN CHARGE: BZ
PROJECT ARCHITECT: BZ
DRAWN BY: BT

SHEET TITLE:
ENLARGED INDOOR POOL RCP & RCP DETAILS

SHEET NO. PROJ. NO.
A211 017378.00



RCP SECTION A
1" = 1'-0"

RCP SECTION C
1" = 1'-0"

RCP SECTION B
1" = 1'-0"

RCP SECTION A
1" = 1'-0"

RCP SECTION E
1 1/2" = 1'-0"

RCP SECTION D
1" = 1'-0"

ENLARGED INDOOR POOL RCP
1/4" = 1'-0"

ENLARGED PORTE COCHERE RCP
1/4" = 1'-0"

Order Plans @ www.orderplans.com

WWW.OrderPlans.com