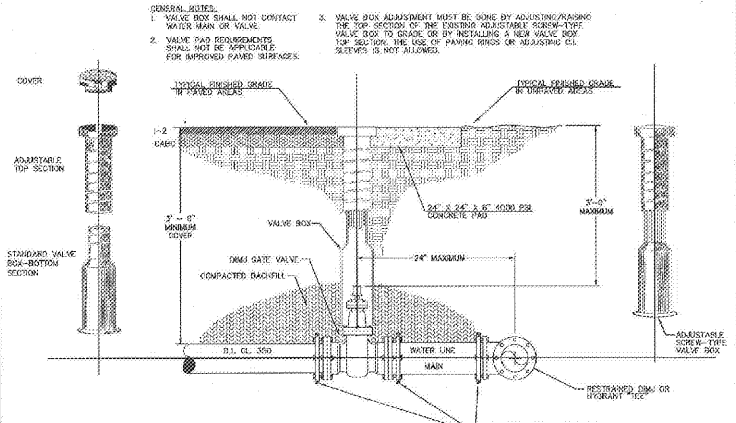


City of Asheville, NC  
 WATER ENGINEERING  
 DIVISION

DATE: 08/22/18  
 REVISION: 01/08/2018  
 SHEET NO: W.17

TYPICAL VALVING CONFIGURATION  
 NT.S.

A1

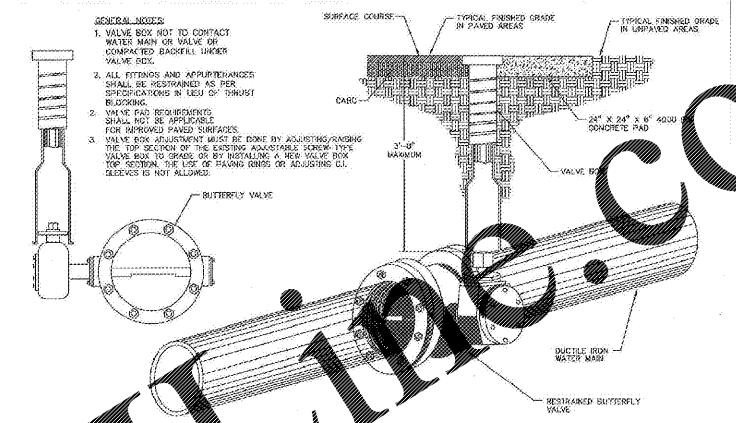


City of Asheville, NC  
 WATER ENGINEERING  
 DIVISION

DATE: 08/22/18  
 REVISION: 01/08/2018  
 SHEET NO: W.18

TYPICAL VALVE & VALVE BOX INSTALLATION / ADJUSTMENT  
 NT.S.

B1

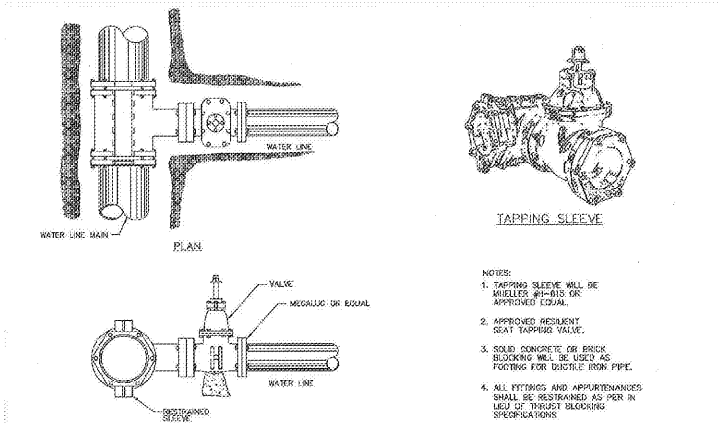


City of Asheville, NC  
 WATER ENGINEERING  
 DIVISION

DATE: 08/22/18  
 REVISION: 01/08/2018  
 SHEET NO: W.19

TYPICAL BUTTERFLY VALVE INSTALLATION  
 NT.S.

C1

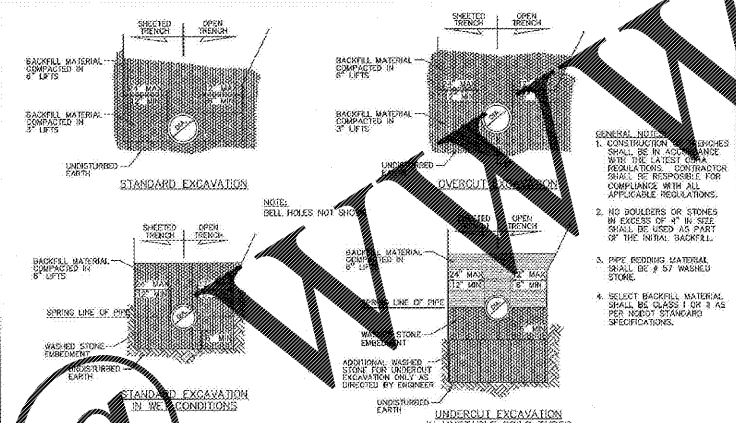


City of Asheville, NC  
 WATER ENGINEERING  
 DIVISION

DATE: 08/22/18  
 REVISION: 01/08/2018  
 SHEET NO: W.20

TAPPING SLEEVE AND VALVE ASSEMBLY  
 NT.S.

A2

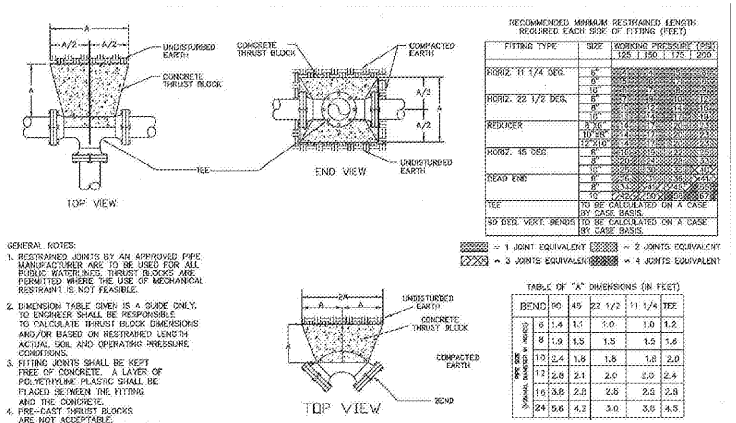


City of Asheville, NC  
 WATER ENGINEERING  
 DIVISION

DATE: 08/22/18  
 REVISION: 01/08/2018  
 SHEET NO: W.21

TYPICAL TRENCH DETAIL  
 NT.S.

B2

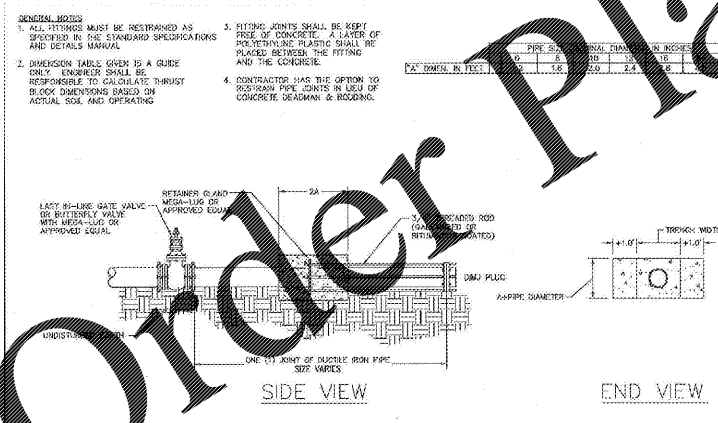


City of Asheville, NC  
 WATER ENGINEERING  
 DIVISION

DATE: 08/22/18  
 REVISION: 01/08/2018  
 SHEET NO: W.22

THRUST BLOCK FOR FITTINGS & RESTRAINING REQUIREMENTS  
 NT.S.

C2

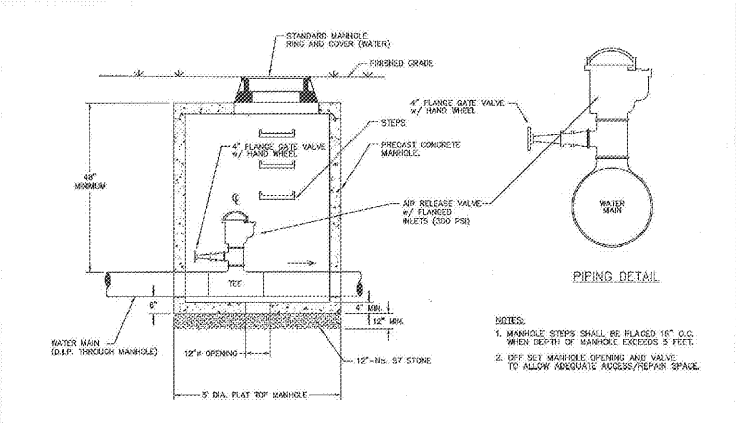


City of Asheville, NC  
 WATER ENGINEERING  
 DIVISION

DATE: 01/08/2018  
 REVISION: 01/08/2018  
 SHEET NO: W.23

END OF LINE PLUG  
 NT.S.

A3

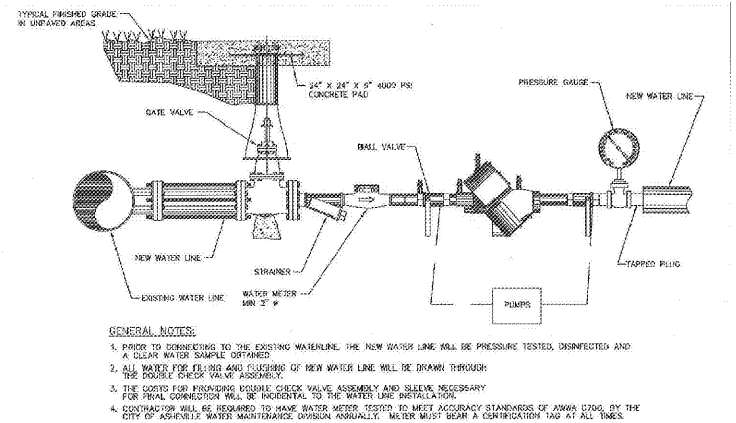


City of Asheville, NC  
 WATER ENGINEERING  
 DIVISION

DATE: 08/22/18  
 REVISION: 01/08/2018  
 SHEET NO: W.25

STANDARD 4" & LARGER AIR RELEASE VALVE INSTALLATION  
 NT.S.

B3



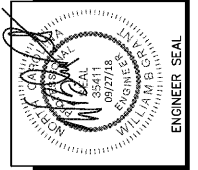
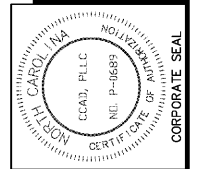
City of Asheville, NC  
 WATER ENGINEERING  
 DIVISION

DATE: 08/22/18  
 REVISION: 01/08/2018  
 SHEET NO: W.28

NEW WATER LINE PRESSURE TEST BACKFLOW PREVENTION ASSEMBLY  
 NT.S.

C3

NO.	DATE	CITY COUNCIL	INITIAL	DESCRIPTION
A	08/09/18			OWNER REQUEST
B	08/09/18			SITE DESIGN MODIFICATION
C	08/22/18			REV PER HILTON AD. EXTRA WASTE SYSTEM
D	08/20/18			REV PER COMMENTS FROM ARCHITECT
E	09/04/18			FINAL TRC SUBMITTAL
F	09/27/18			ADDENDUM C



**CCAD ENGINEERING**  
 Greenville | Charleston  
 803 Poplar Creek Drive  
 864-250-9999 | E: 864-250-9056  
 www.ccadengineering.com

**Airport Road Hotel  
 Site Development Plans  
 Arden, North Carolina**

**CITY OF ASHEVILLE  
 WATER DETAILS**

DATE: 01/08/2018  
 SCALE: N.T.S.  
 DRAWN: CCAD  
 CHECKED: WBC  
 PROJECT #: C03082E

C7.33