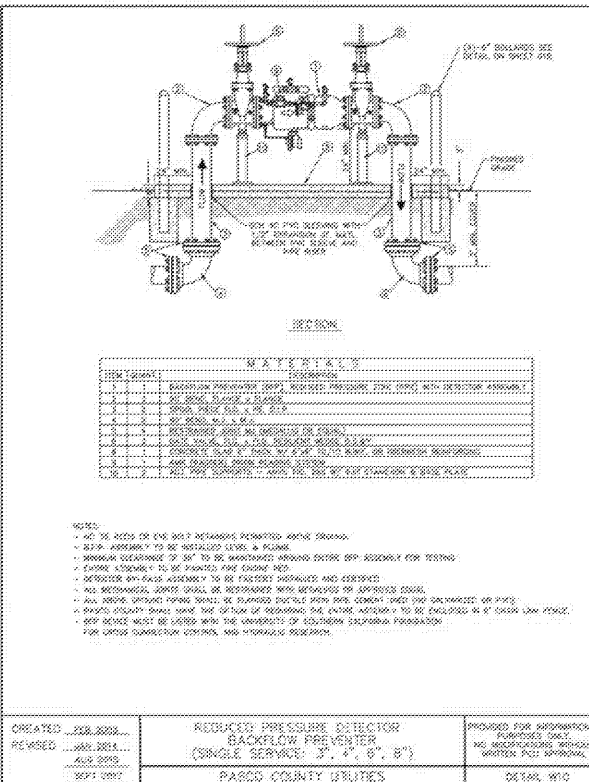
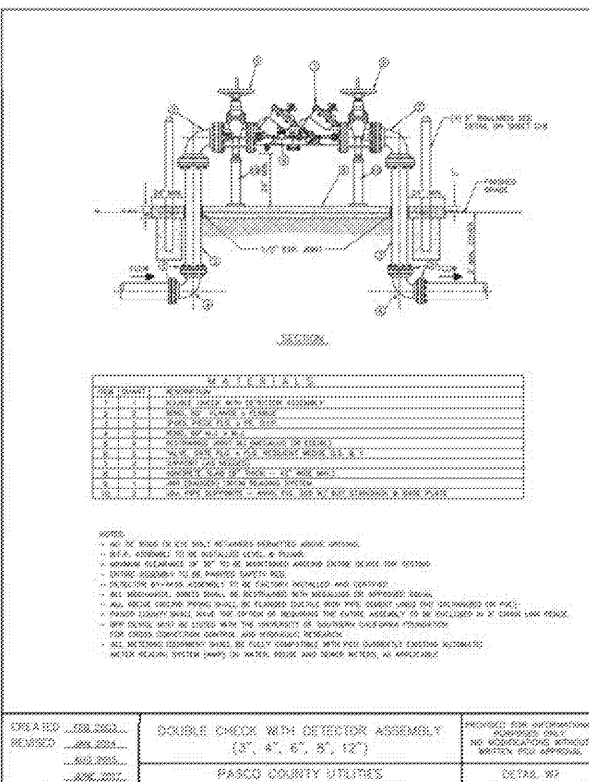
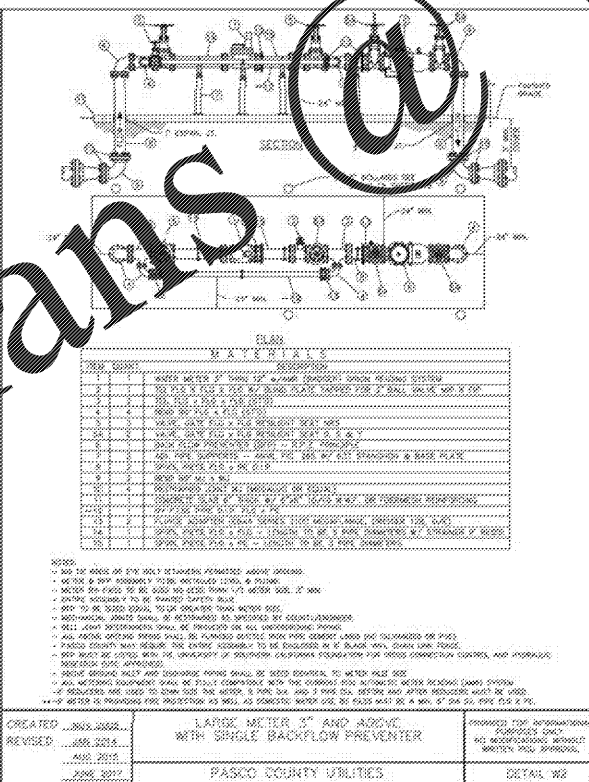
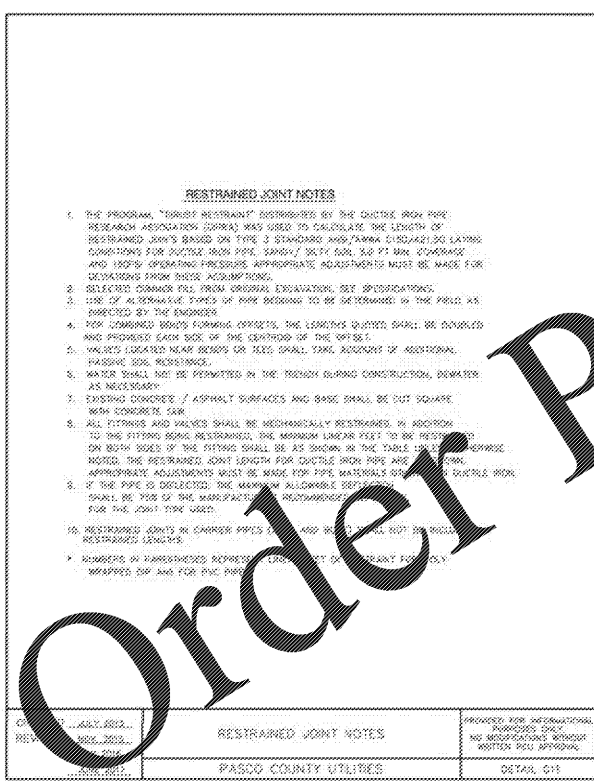


SEE NOTES DETAIL D-11

NO.	DESCRIPTION	QUANTITY	UNIT
1	RESTRAINED JOINT DETAIL D-11		
2	RESTRAINED JOINT DETAIL D-11		
3	RESTRAINED JOINT DETAIL D-11		
4	RESTRAINED JOINT DETAIL D-11		
5	RESTRAINED JOINT DETAIL D-11		
6	RESTRAINED JOINT DETAIL D-11		
7	RESTRAINED JOINT DETAIL D-11		
8	RESTRAINED JOINT DETAIL D-11		
9	RESTRAINED JOINT DETAIL D-11		
10	RESTRAINED JOINT DETAIL D-11		
11	RESTRAINED JOINT DETAIL D-11		
12	RESTRAINED JOINT DETAIL D-11		
13	RESTRAINED JOINT DETAIL D-11		
14	RESTRAINED JOINT DETAIL D-11		
15	RESTRAINED JOINT DETAIL D-11		
16	RESTRAINED JOINT DETAIL D-11		
17	RESTRAINED JOINT DETAIL D-11		
18	RESTRAINED JOINT DETAIL D-11		
19	RESTRAINED JOINT DETAIL D-11		
20	RESTRAINED JOINT DETAIL D-11		
21	RESTRAINED JOINT DETAIL D-11		
22	RESTRAINED JOINT DETAIL D-11		
23	RESTRAINED JOINT DETAIL D-11		
24	RESTRAINED JOINT DETAIL D-11		
25	RESTRAINED JOINT DETAIL D-11		
26	RESTRAINED JOINT DETAIL D-11		
27	RESTRAINED JOINT DETAIL D-11		
28	RESTRAINED JOINT DETAIL D-11		
29	RESTRAINED JOINT DETAIL D-11		
30	RESTRAINED JOINT DETAIL D-11		
31	RESTRAINED JOINT DETAIL D-11		
32	RESTRAINED JOINT DETAIL D-11		
33	RESTRAINED JOINT DETAIL D-11		
34	RESTRAINED JOINT DETAIL D-11		
35	RESTRAINED JOINT DETAIL D-11		
36	RESTRAINED JOINT DETAIL D-11		
37	RESTRAINED JOINT DETAIL D-11		
38	RESTRAINED JOINT DETAIL D-11		
39	RESTRAINED JOINT DETAIL D-11		
40	RESTRAINED JOINT DETAIL D-11		
41	RESTRAINED JOINT DETAIL D-11		
42	RESTRAINED JOINT DETAIL D-11		
43	RESTRAINED JOINT DETAIL D-11		
44	RESTRAINED JOINT DETAIL D-11		
45	RESTRAINED JOINT DETAIL D-11		
46	RESTRAINED JOINT DETAIL D-11		
47	RESTRAINED JOINT DETAIL D-11		
48	RESTRAINED JOINT DETAIL D-11		
49	RESTRAINED JOINT DETAIL D-11		
50	RESTRAINED JOINT DETAIL D-11		
51	RESTRAINED JOINT DETAIL D-11		
52	RESTRAINED JOINT DETAIL D-11		
53	RESTRAINED JOINT DETAIL D-11		
54	RESTRAINED JOINT DETAIL D-11		
55	RESTRAINED JOINT DETAIL D-11		
56	RESTRAINED JOINT DETAIL D-11		
57	RESTRAINED JOINT DETAIL D-11		
58	RESTRAINED JOINT DETAIL D-11		
59	RESTRAINED JOINT DETAIL D-11		
60	RESTRAINED JOINT DETAIL D-11		
61	RESTRAINED JOINT DETAIL D-11		
62	RESTRAINED JOINT DETAIL D-11		
63	RESTRAINED JOINT DETAIL D-11		
64	RESTRAINED JOINT DETAIL D-11		
65	RESTRAINED JOINT DETAIL D-11		
66	RESTRAINED JOINT DETAIL D-11		
67	RESTRAINED JOINT DETAIL D-11		
68	RESTRAINED JOINT DETAIL D-11		
69	RESTRAINED JOINT DETAIL D-11		
70	RESTRAINED JOINT DETAIL D-11		
71	RESTRAINED JOINT DETAIL D-11		
72	RESTRAINED JOINT DETAIL D-11		
73	RESTRAINED JOINT DETAIL D-11		
74	RESTRAINED JOINT DETAIL D-11		
75	RESTRAINED JOINT DETAIL D-11		
76	RESTRAINED JOINT DETAIL D-11		
77	RESTRAINED JOINT DETAIL D-11		
78	RESTRAINED JOINT DETAIL D-11		
79	RESTRAINED JOINT DETAIL D-11		
80	RESTRAINED JOINT DETAIL D-11		
81	RESTRAINED JOINT DETAIL D-11		
82	RESTRAINED JOINT DETAIL D-11		
83	RESTRAINED JOINT DETAIL D-11		
84	RESTRAINED JOINT DETAIL D-11		
85	RESTRAINED JOINT DETAIL D-11		
86	RESTRAINED JOINT DETAIL D-11		
87	RESTRAINED JOINT DETAIL D-11		
88	RESTRAINED JOINT DETAIL D-11		
89	RESTRAINED JOINT DETAIL D-11		
90	RESTRAINED JOINT DETAIL D-11		
91	RESTRAINED JOINT DETAIL D-11		
92	RESTRAINED JOINT DETAIL D-11		
93	RESTRAINED JOINT DETAIL D-11		
94	RESTRAINED JOINT DETAIL D-11		
95	RESTRAINED JOINT DETAIL D-11		
96	RESTRAINED JOINT DETAIL D-11		
97	RESTRAINED JOINT DETAIL D-11		
98	RESTRAINED JOINT DETAIL D-11		
99	RESTRAINED JOINT DETAIL D-11		
100	RESTRAINED JOINT DETAIL D-11		



SCALE: 1" = 30'

LINKS & ASSOCIATES
5023 West Laurel Street
Tampa, Florida 33607
Tel: (813) 289-0039
Fax: (813) 287-0574
Lic. No. EB0004635

**Engineers
Planners**

DATE	07/23/2018
DESIGNED	DWD
DRAWN	DWM
CHECKED	DWD
JOB NO.	18095

WOODSPRING SUITES
CYPRESS CREEK
PASCO COUNTY
UTILITY DETAILS

REVISIONS	
-----------	--

David W. Deslet
PE No. 24760
SHEET 11