

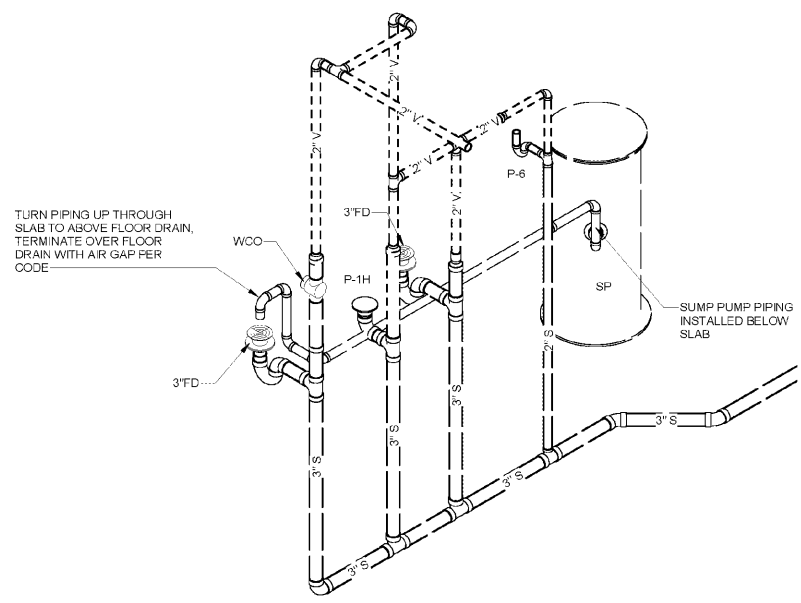
WOODSPRING SUITES
 CYPRESS CREEK, FLORIDA
 Pasco County
 Cypress Creek, FL

Issues & Revisions:

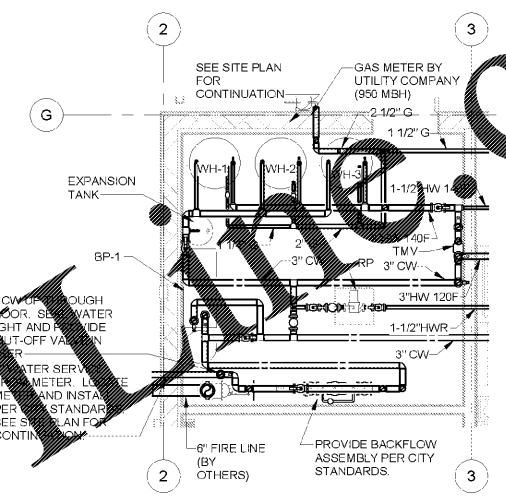
Proj. No.: 078761
 Date: 10/05/2018

Sheet Name:
 PLUMBING
 ENLARGED PLANS

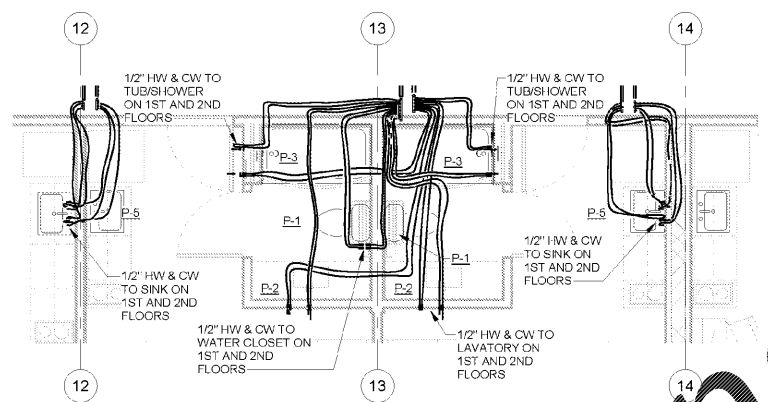
P-7



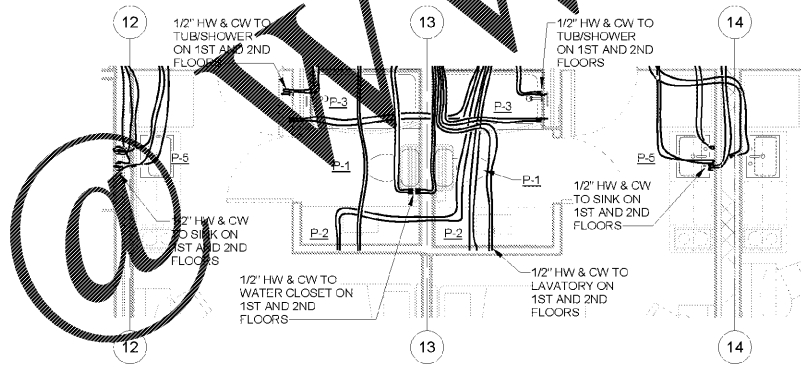
8 SUMP PUMP DETAIL
 SCALE: 1/4" = 1'-0"



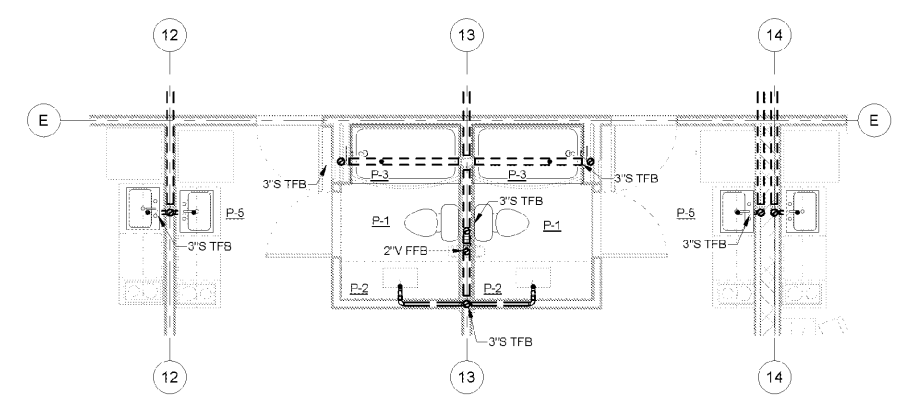
7 ENLARGED MECHANICAL ROOM PLAN
 SCALE: 1/4" = 1'-0"



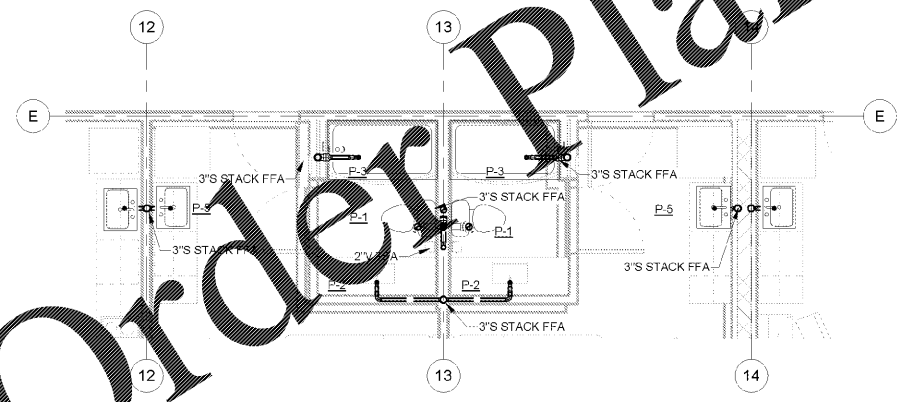
6 TYPICAL THIRD FLOOR WATER
 SCALE: 1/4" = 1'-0"



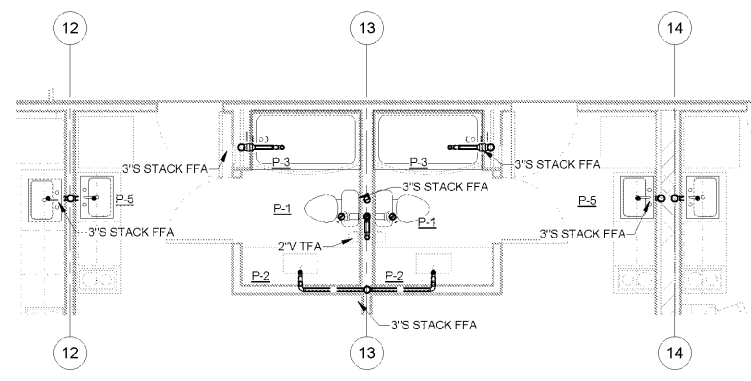
5 TYPICAL FIRST FLOOR WATER
 SCALE: 1/4" = 1'-0"



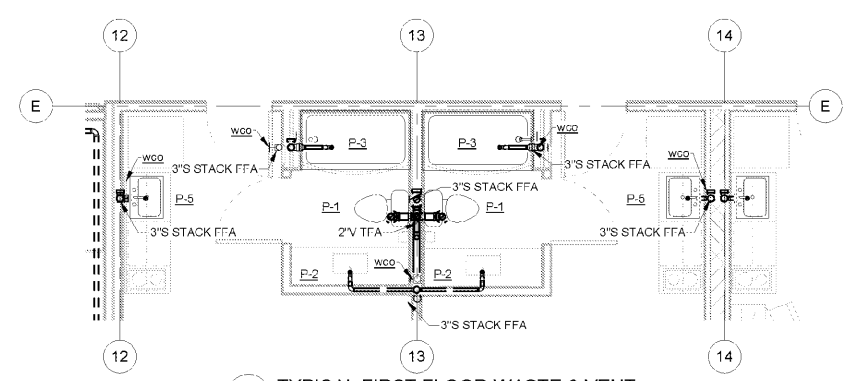
4 TYPICAL FOURTH FLOOR WASTE & VENT
 SCALE: 1/4" = 1'-0"



3 TYPICAL THIRD FLOOR WASTE & VENT
 SCALE: 1/4" = 1'-0"



2 TYPICAL SECOND FLOOR WASTE & VENT
 SCALE: 1/4" = 1'-0"



1 TYPICAL FIRST FLOOR WASTE & VENT
 SCALE: 1/4" = 1'-0"

11/2/2018 5:02:24 PM