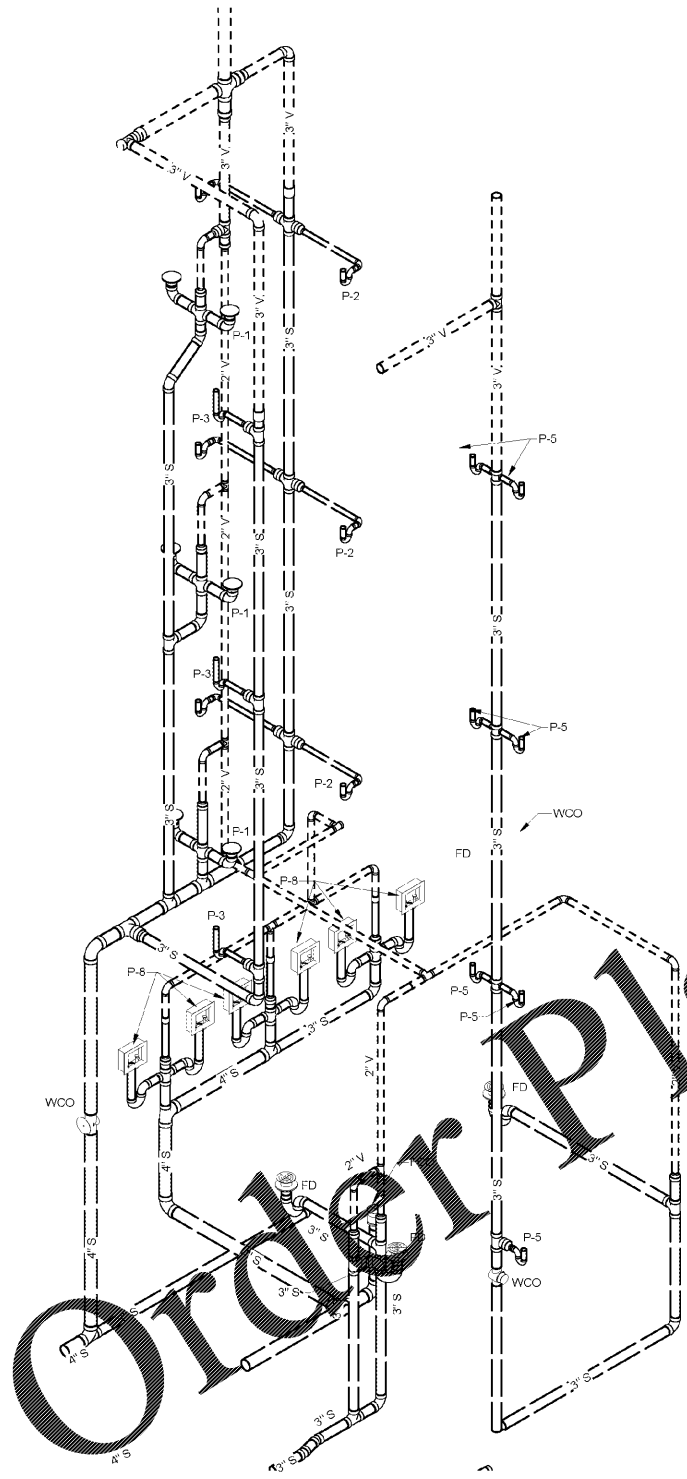
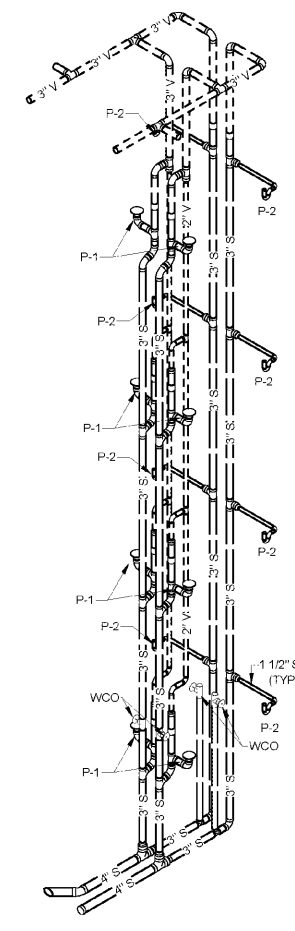


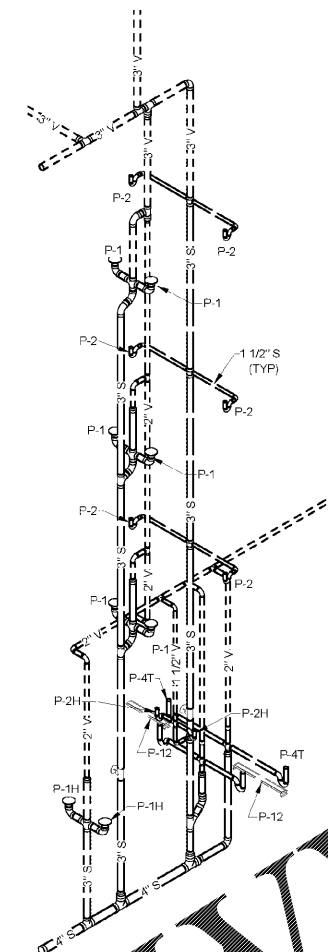
- NOTES**
- 1 DOUBLE SANITARY TEE FITTING IS NOT TO BE USED USE DOUBLE SANITARY WYE OR SINGLE FITTINGS
 - 2 PROVIDE CLEANOUTS AT THE BASE OF ALL WASTE RISERS
 - 3 AT KITCHEN SINKS IN GUESTROOM AREAS (P-5 AND P-6H) COORDINATE AND INSTALL THE HUB OF THE 3" WASTE STACKS ABOVE CEILINGS OR BELOW FLOORS.
 - 4 GENERAL CONTRACTOR AND PLUMBING CONTRACTOR TO COORDINATE WITH OTHER TRADES TO ENSURE ADEQUATE SPACE FOR PIPING SYSTEMS.
 - 5 PROVIDE TRAP PRIMERS ON ALL FLOOR DRAINS.



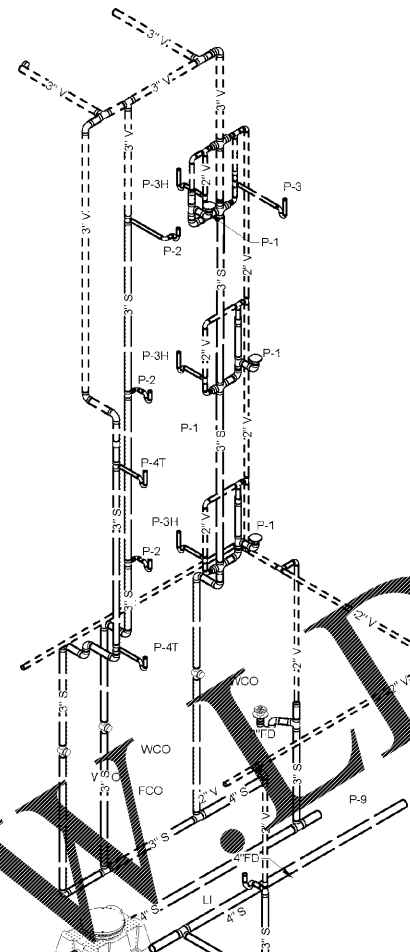
7 RESTROOM GROUP STACK
SCALE: NOT TO SCALE



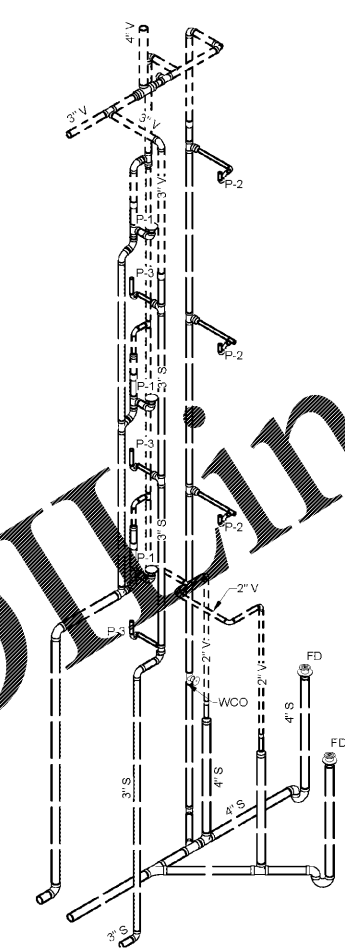
12 RESTROOM GROUP STACK
SCALE:



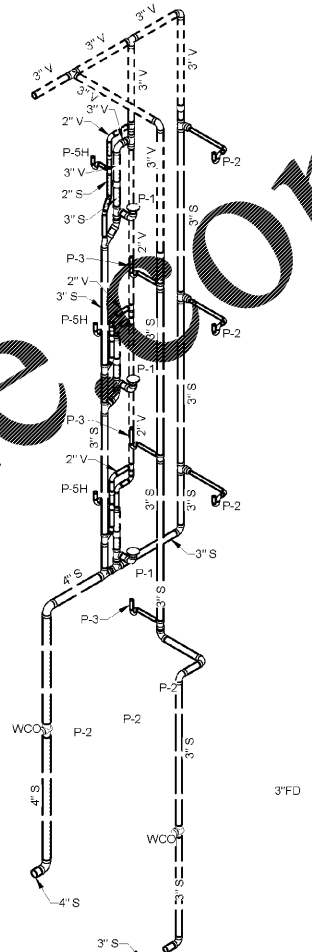
11 RESTROOM GROUP STACK
SCALE:



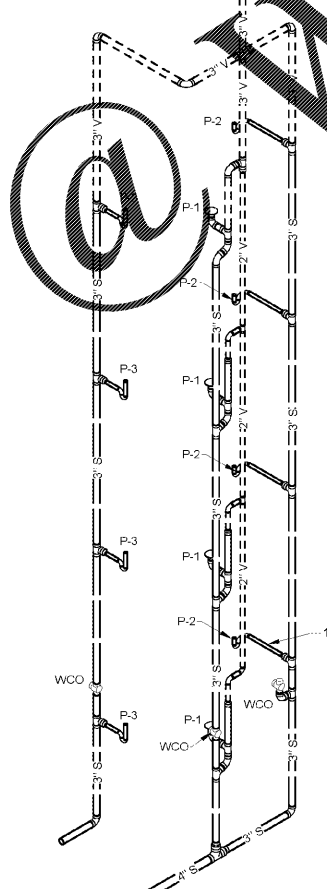
10 RESTROOM GROUP STACK
SCALE: NOT TO SCALE



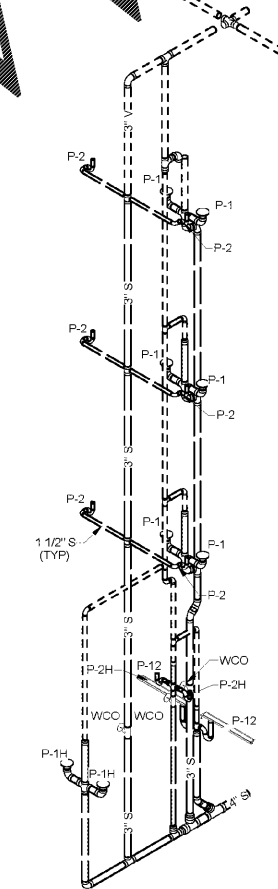
9 RESTROOM GROUP STACK & MECHANICAL ROOM
SCALE: NOT TO SCALE



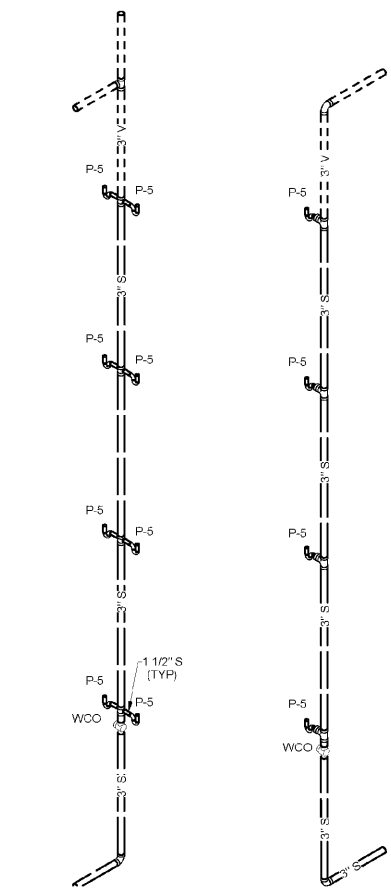
8 RESTROOM GROUP STACK
SCALE: NOT TO SCALE



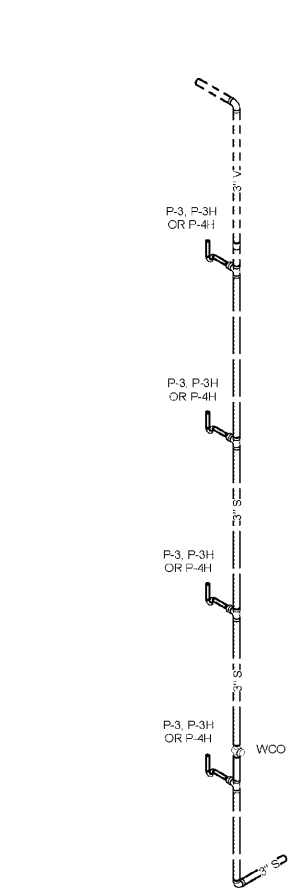
6 TYPICAL RESTROOM GROUP STACK
SCALE: NOT TO SCALE



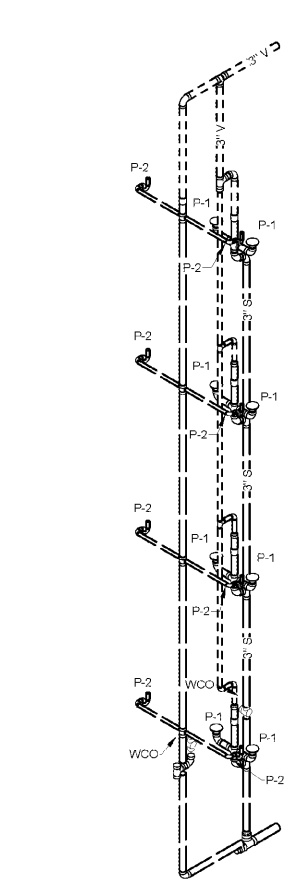
5 WATER CLOSET & LAVATORY STACK
SCALE: NOT TO SCALE



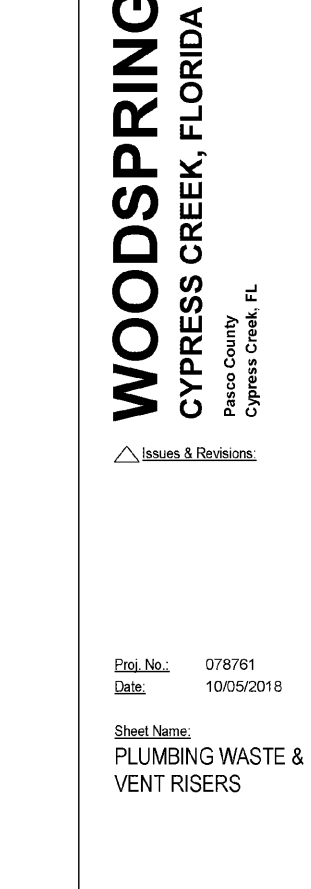
4 TYPICAL BACK TO BACK SINKS
SCALE: NOT TO SCALE



3 TYPICAL SINKS
SCALE: NOT TO SCALE



2 TYPICAL TUB/SHOWERS
SCALE: NOT TO SCALE



1 TYPICAL BACK TO BACK WATER CLOSETS & LAVATORIES
SCALE: NOT TO SCALE

WOOLPERT
375 Northridge Road
Suite 300
Atlanta, GA 30350
770.391.4095
FAX: 770.391.4104

ACERTUS CONSULTING GROUP, LLC
14817 West 95th Street • Lenexa, Kansas 66156
P 913 322 5150 • F 913 322 5155
www.AcerusGroup.com

WOODSPRING SUITES
CYPRESS CREEK, FLORIDA
Pasco County
Cypress Creek, FL

Issues & Revisions:

Proj. No.: 078761
Date: 10/05/2018

Sheet Name:
PLUMBING WASTE & VENT RISERS

P-5

60% OWNER REVIEW | 09.10.18

11/2/2018 5:02:09 PM