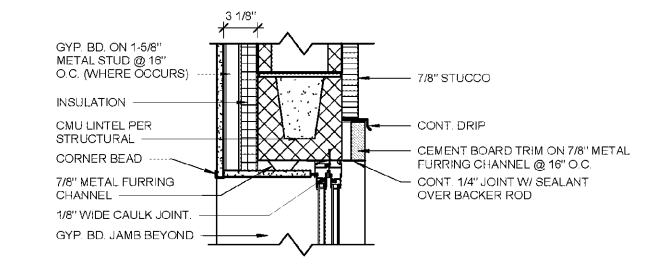


**W**  
**WOOLPERT**  
475 Northridge Road  
Suite 300  
Atlanta, GA 30350  
770.391.4095  
FAX: 770.391.4104

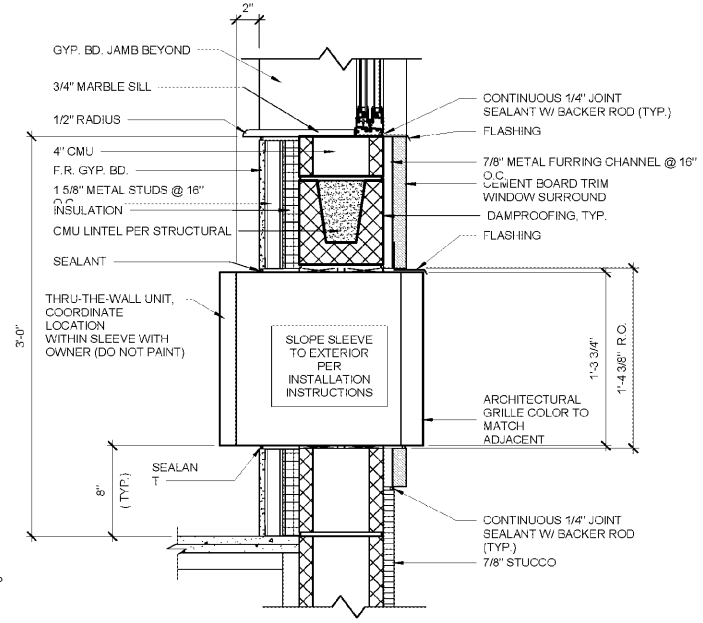
WINDOW SCHEDULE				
TYPE	DESCRIPTION	LOCATION	FRAME MATERIAL	WINDOW NOTES
A	HORIZONTAL SLIDER	TYPICAL GUESTROOM	VINYL	WINDOW STOP REQUIRED; SEE NOTE 1
B	FIXED STOREFRONT	LOBBY (STE)	ALUMINUM	TEMPERED
C	FIXED STOREFRONT	LOBBY (STE)	ALUMINUM	TEMPERED
D	FIXED STOREFRONT	LOBBY (STE)	ALUMINUM	TEMPERED; VINYL GRAPHICS BY OTHERS
B	FIXED STOREFRONT	LOBBY CUBE (SIG)	ALUMINUM	
C	FIXED STOREFRONT	VESTIBULE (SIG)	ALUMINUM	TEMPERED
D	FIXED STOREFRONT	VESTIBULE (SIG)	ALUMINUM	TEMPERED
E	FIXED STOREFRONT	LOBBY, VESTIBULE & HALL / VENDING	ALUMINUM	TEMPERED
F	FIXED STOREFRONT	TRAINING	ALUMINUM	TEMPERED
G	FIXED STOREFRONT	LOBBY (SIG)	ALUMINUM	TEMPERED
H	FIXED STOREFRONT	FITNESS (SIG)	ALUMINUM	TEMPERED
J	FIXED STOREFRONT	FITNESS (SIG)	ALUMINUM	TEMPERED; VINYL GRAPHICS BY OTHERS

**WINDOW NOTES:**  
1 WINDOW STOP  
BRAND: HD SUPPLY  
PRODUCT: 2" ALUMINUM SLIDING DOOR AND WINDOW LOCK  
PART #: 876675  
SUPPLIER: HD SUPPLY - WAYNE SCHNEIDER  
CONTACT: WAYNE.SCHNEIDER@HDSUPPLY.COM or 973-646-8703  
2 ALL ALUMINUM STOREFRONT FRAMES TO BE CLEAR ANODIZED

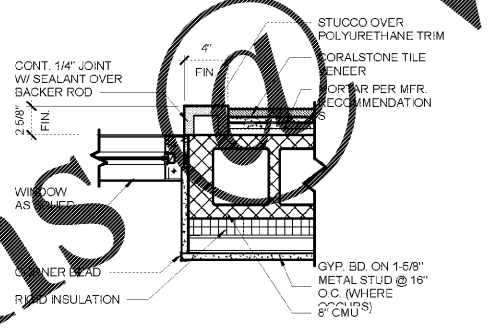
3 WINDOW JAMB - STUCCO  
1 1/2" = 1'-0"



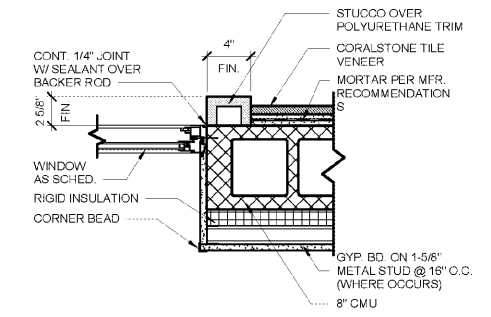
2 WINDOW HEAD - STUCCO  
1 1/2" = 1'-0"



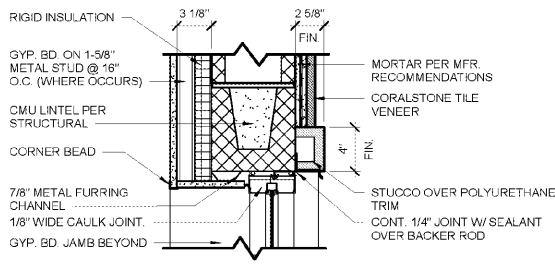
7 ALUMINUM WINDOW JAMB - STONE  
1 1/2" = 1'-0"



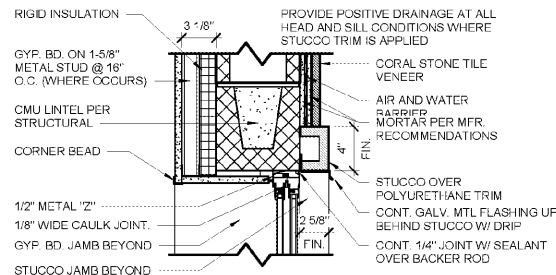
5 WINDOW JAMB - STONE  
1 1/2" = 1'-0"



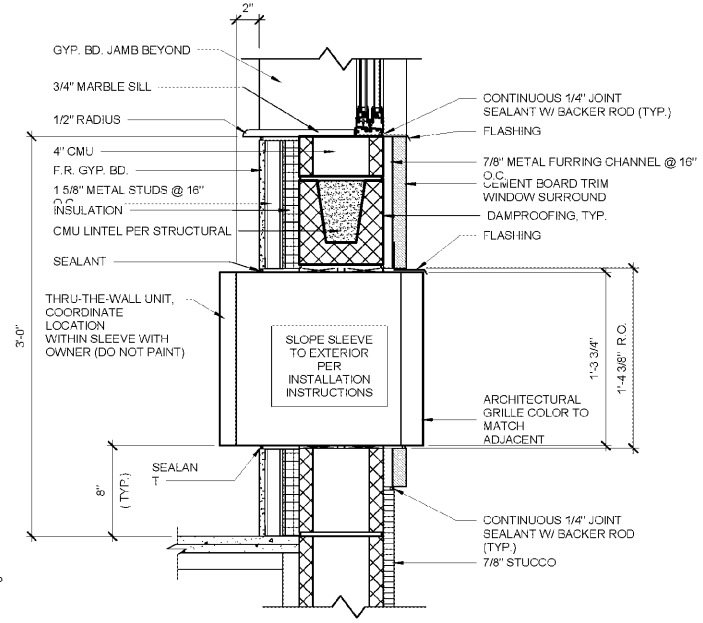
6 ALUMINUM WINDOW HEAD - STONE  
1 1/2" = 1'-0"



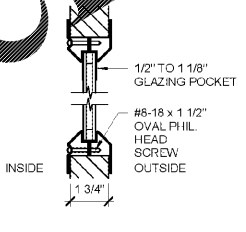
4 WINDOW HEAD - STONE  
1 1/2" = 1'-0"



1 WINDOW SILL - STUCCO  
1 1/2" = 1'-0"



8 LITE SECTION  
3\"/>



11/2/2018 2:09:13 PM

Order Plans

WWW.LDLINE.COM

**WOODSPRING SUITES**  
CYPRESS CREEK, FLORIDA  
Pasco County  
Cypress Creek, FL

Proj. No.: 078761  
Date: 11/02/2018

Sheet Name:  
WINDOW SCHEDULE,  
ELEVATIONS &  
DETAILS

**A8.2**

100% OWNER REVIEW | 11.02.18