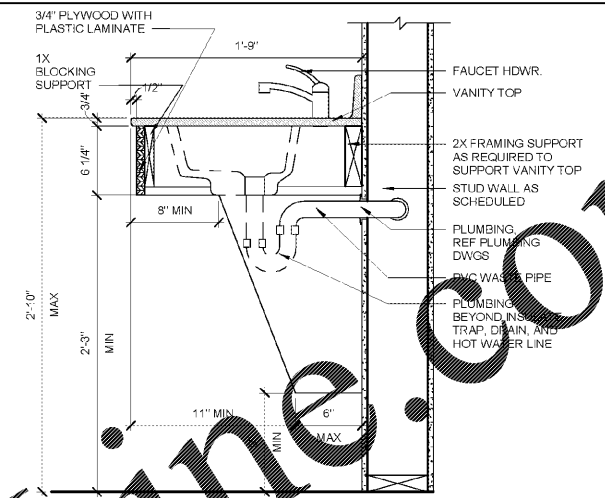
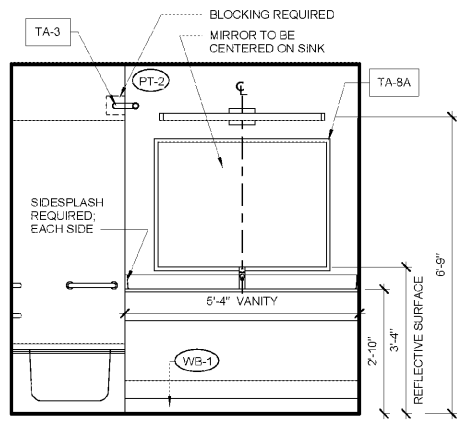


12 TYP BATH SINK SECTION
 1 1/2" = 1'-0"

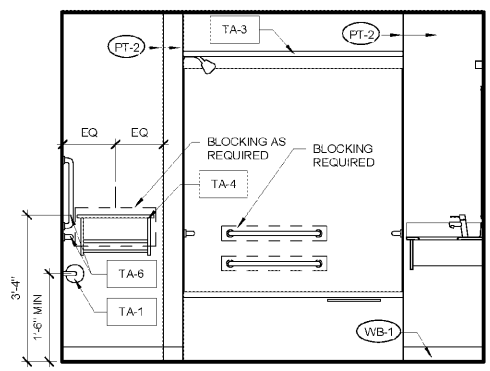


11 H.C. BATH SINK SECT
 1 1/2" = 1'-0"

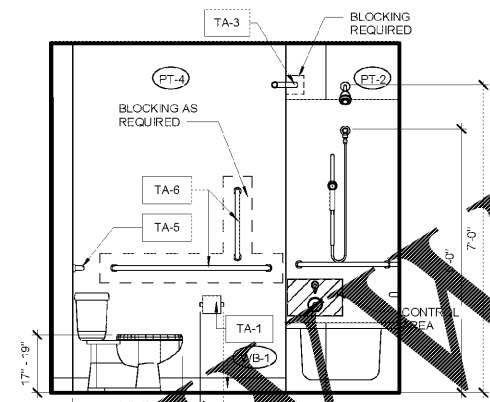
NOTE: CONTRACTOR TO MATCH SILICONE SEALANT TO THE ADJACENT COUNTERTOP COLOR.



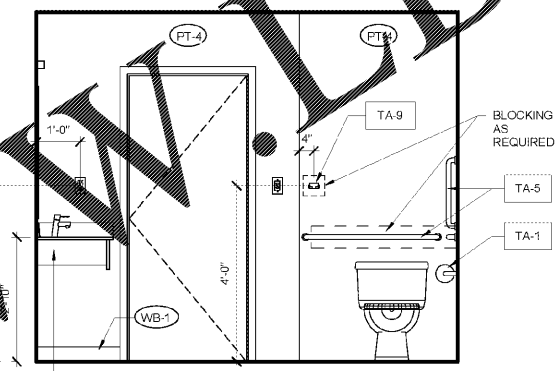
10 ACC. BATH ELEV.
 1/2" = 1'-0"



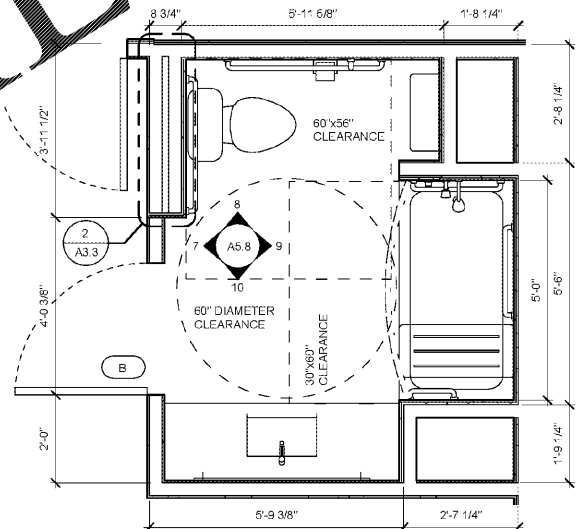
9 ACC. BATH ELEV.
 1/2" = 1'-0"



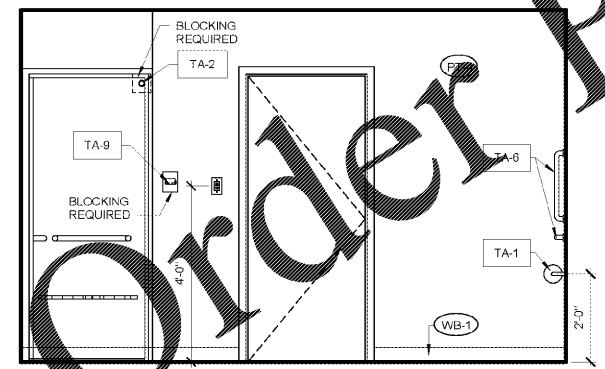
8 ACC. BATH ELEV.
 1/2" = 1'-0"



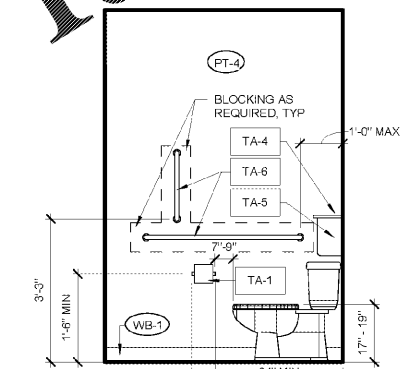
7 ACC. BATH ELEV.
 1/2" = 1'-0"



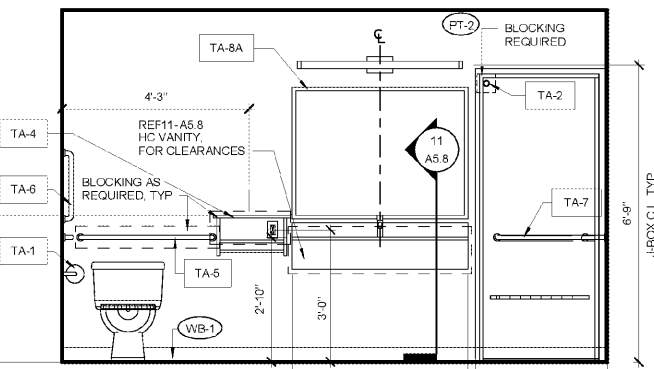
6 ACC. BATHROOM W/TUB
 1/2" = 1'-0"



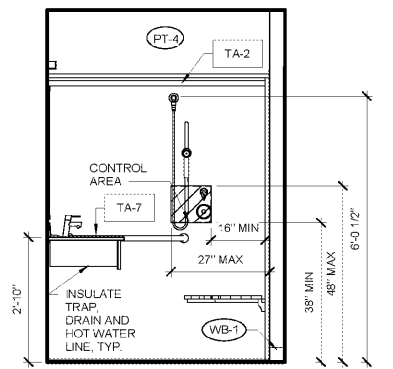
5 ACC. BATH ELEVATION
 1/2" = 1'-0"



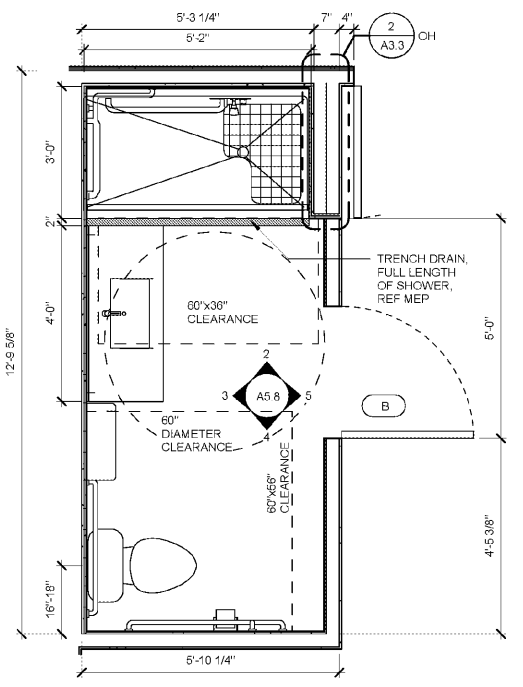
4 ACC. BATH ELEVATION
 1/2" = 1'-0"



3 ACC. BATH ELEVATION
 1/2" = 1'-0"



2 ACC. BATH ELEVATION
 1/2" = 1'-0"



1 ACC. BATHROOM ROLL-IN SHOWER
 1/2" = 1'-0"

WOODSPRING SUITES
 CYPRESS CREEK, FLORIDA
 Pasco County
 Cypress Creek, FL

Issues & Revisions:

Proj. No.: 078761
 Date: 11/02/2018

Sheet Name:
 GUESTROOM BATHROOMS

A5.8

100% OWNER REVIEW | 11.02.18

11/2/2018 2:08:54 PM