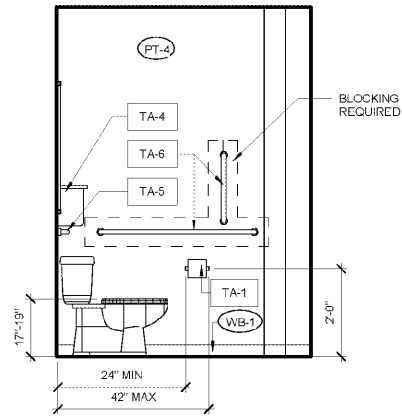
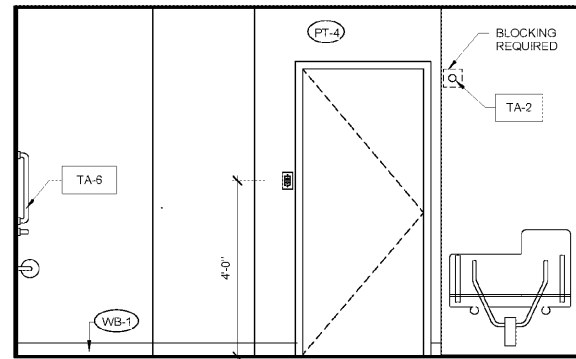


GAP IS TO BE NO MORE THAN 1/8" ON EITHER SIDE AT VANITY TOP

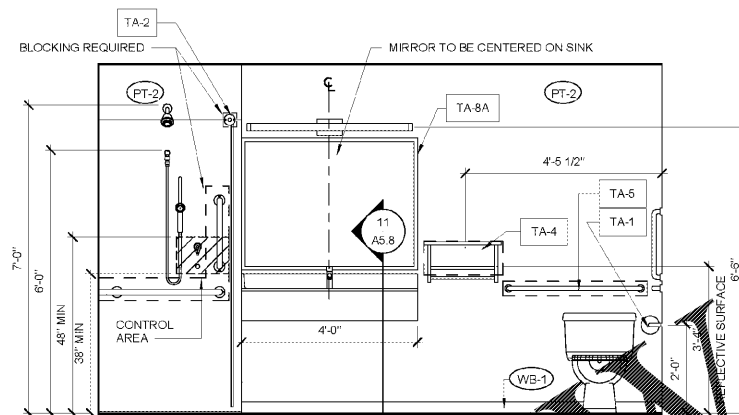
CONTRACTOR TO MATCH SILICONE SEALANT TO THE ADJACENT COUNTERTOP COLOR



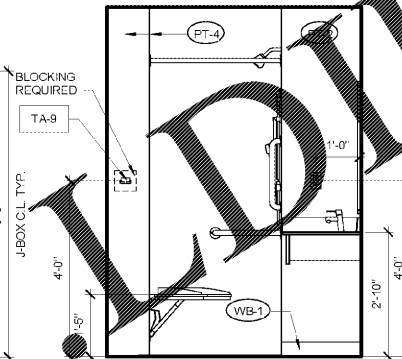
10 ACCESSIBLE BATHROOM ELEVATION
 1/2" = 1'-0"



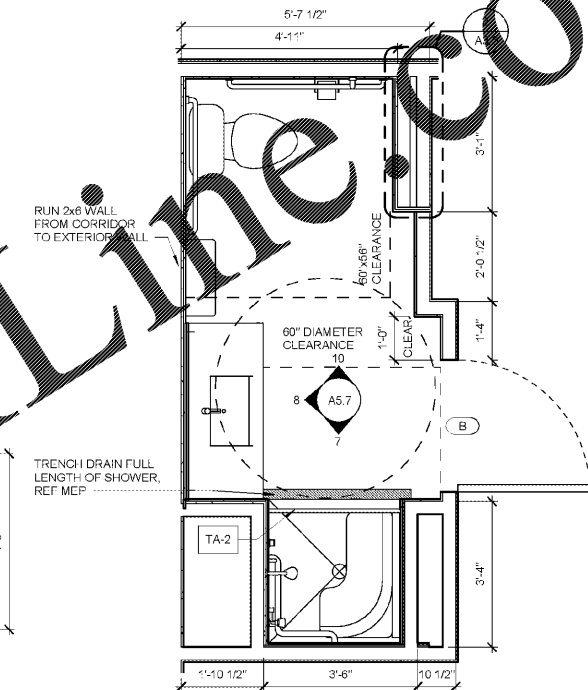
9 ACCESSIBLE BATHROOM ELEVATION
 1/2" = 1'-0"



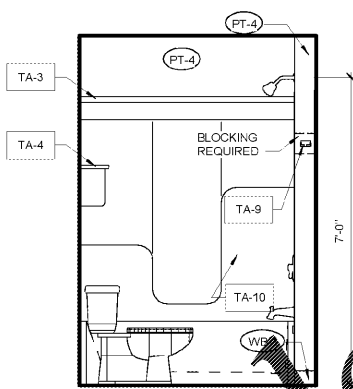
8 ACCESSIBLE BATHROOM ELEVATION
 1/2" = 1'-0"



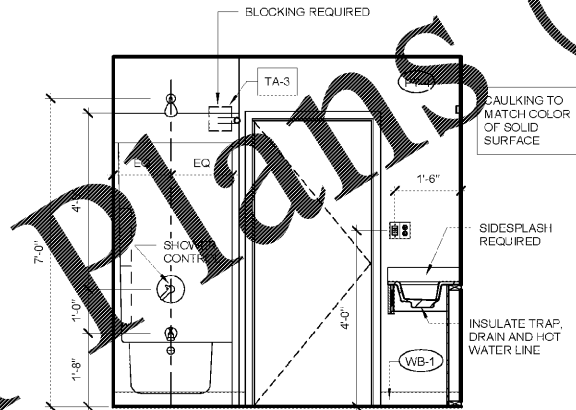
7 ACCESSIBLE BATHROOM ELEVATION
 1/2" = 1'-0"



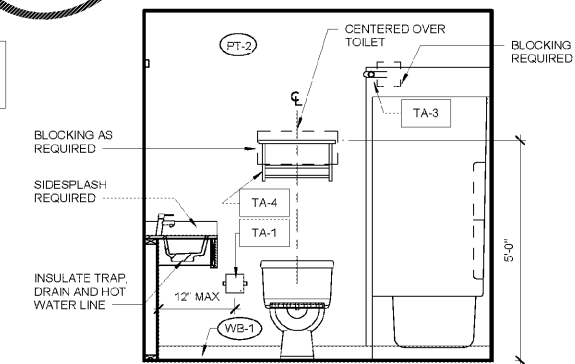
6 ACCESSIBLE BATHROOM TRANSFER SHOWER
 1/2" = 1'-0"



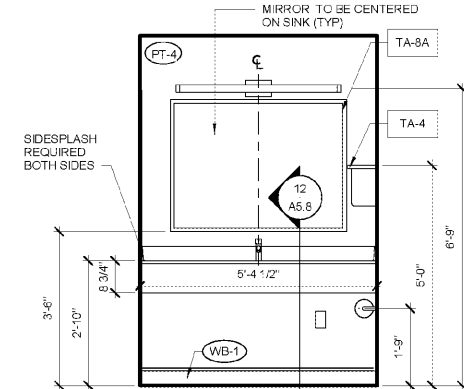
5 STANDARD BATHROOM ELEVATION
 1/2" = 1'-0"



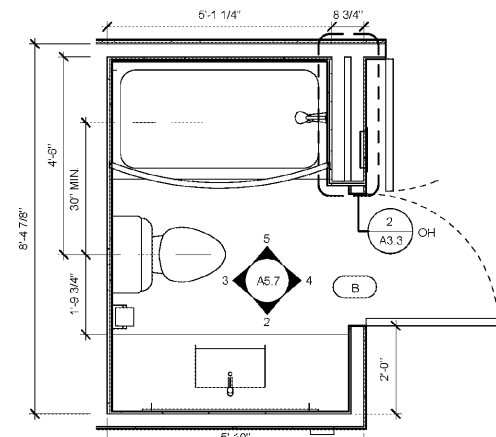
4 STANDARD BATHROOM ELEVATION
 1/2" = 1'-0"



3 STANDARD BATHROOM ELEVATION
 1/2" = 1'-0"



2 STANDARD BATHROOM ELEVATION
 1/2" = 1'-0"



1 STANDARD BATHROOM SHOWER
 1/2" = 1'-0"

11/2/2018 2:08:50 PM

WOODSPRING SUITES
 CYPRESS CREEK, FLORIDA
 Pasco County
 Cypress Creek, FL

Issues & Revisions:

Proj. No.: 078761
 Date: 11/02/2018

Sheet Name:
 GUESTROOM BATHROOMS

A5.1

A5.7

100% OWNER REVIEW | 11.02.18