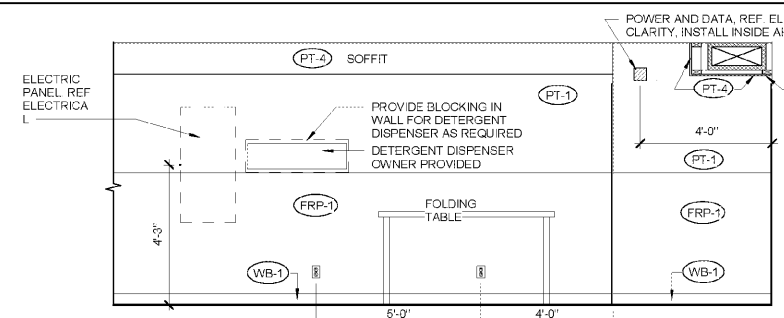
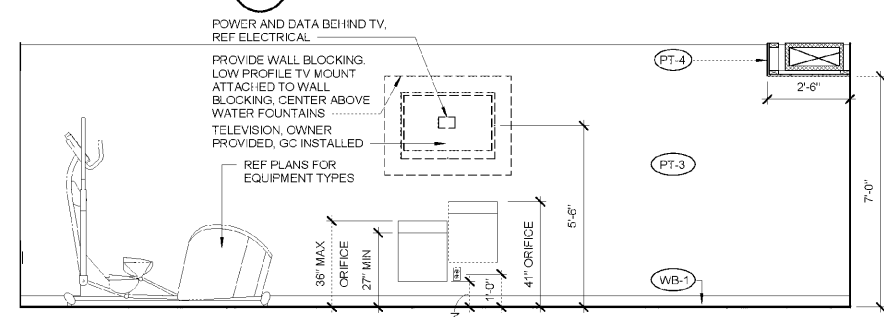


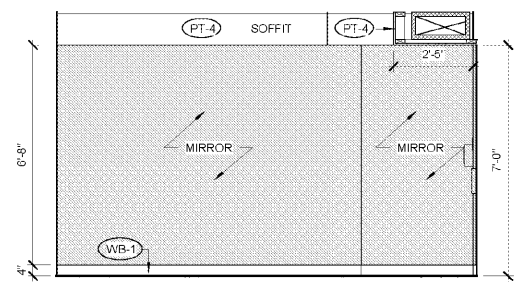
14 FITNESS
 3/8" = 1'-0"



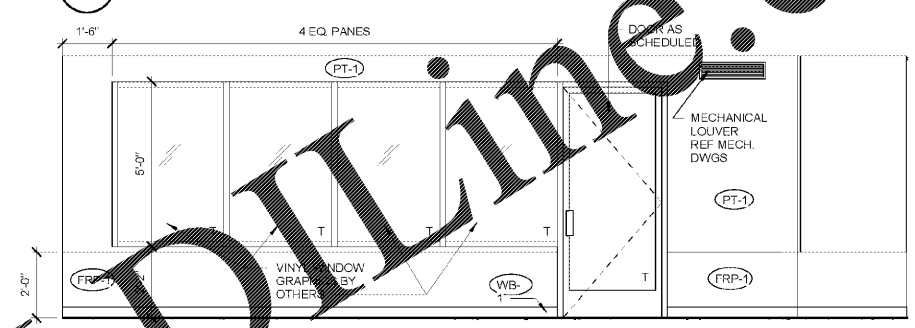
15 GUEST LAUNDRY
 3/8" = 1'-0"



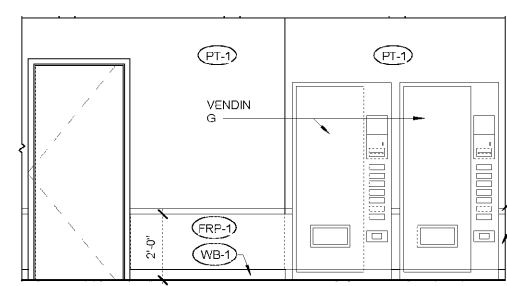
12 FITNESS
 3/8" = 1'-0"



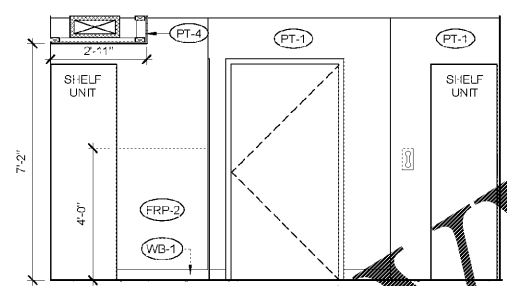
13 FITNESS
 3/8" = 1'-0"



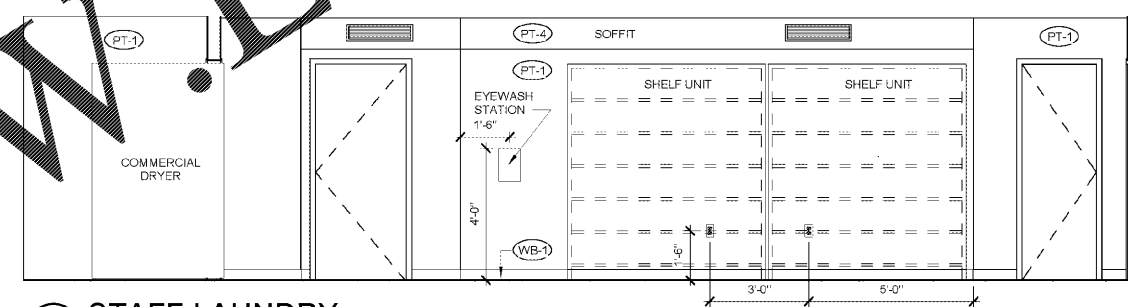
11 HALL / FITNESS ELEVATION
 3/8" = 1'-0"



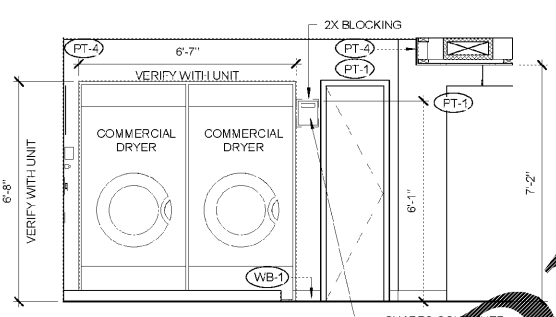
10 VENDING ALCOVE
 3/8" = 1'-0"



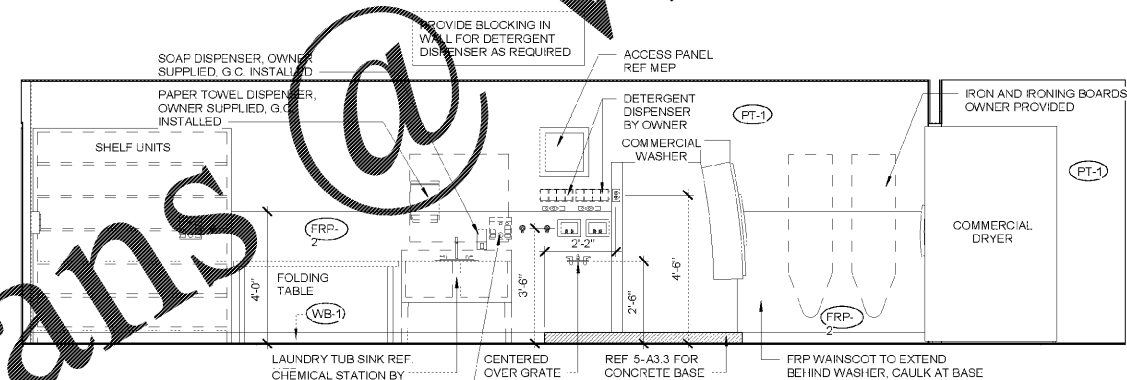
9 STAFF LAUNDRY
 3/8" = 1'-0"



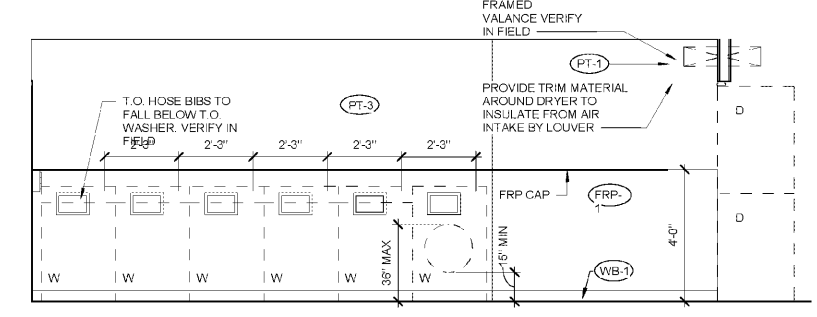
8 STAFF LAUNDRY
 3/8" = 1'-0"



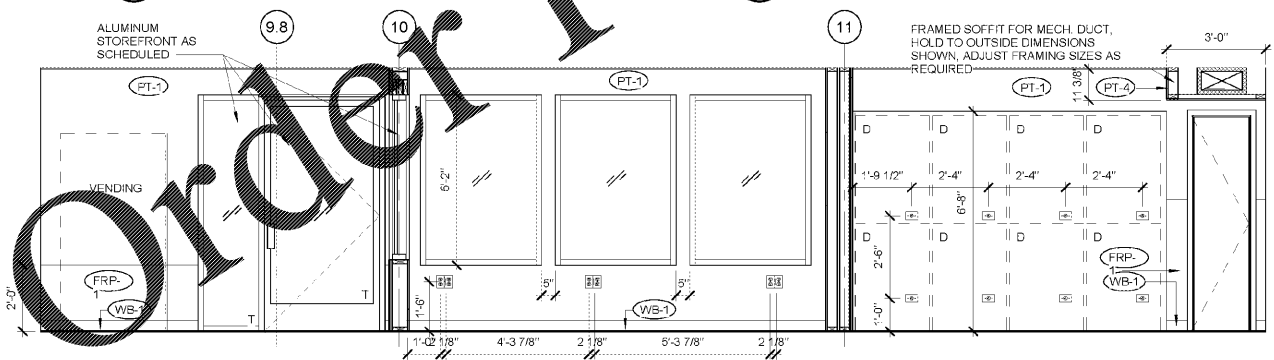
7 STAFF LAUNDRY
 3/8" = 1'-0"



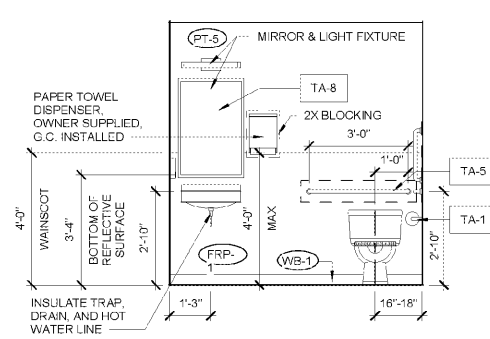
6 STAFF LAUNDRY
 3/8" = 1'-0"



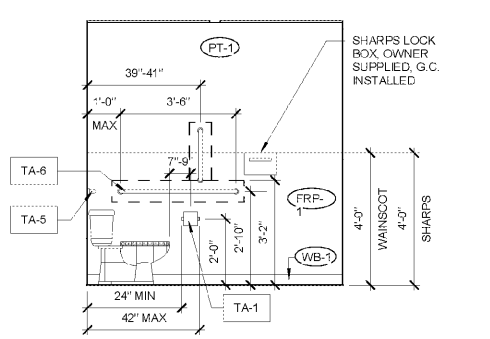
5 GUEST LAUNDRY
 3/8" = 1'-0"



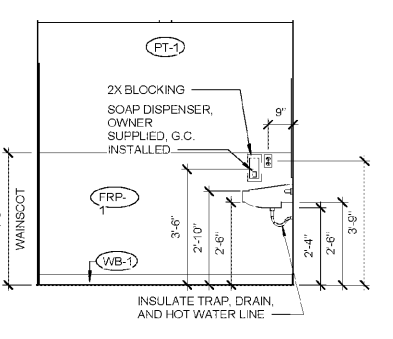
4 VENDING, FITNESS & GUEST LAUNDRY
 3/8" = 1'-0"



3 PUBLIC RESTROOM
 3/8" = 1'-0"



2 PUBLIC RESTROOM
 3/8" = 1'-0"



1 PUBLIC RESTROOM
 3/8" = 1'-0"

WOODSPRING SUITES
 CYPRESS CREEK, FLORIDA
 Pasco County
 Cypress Creek, FL

Issues & Revisions:

Proj. No.: 078761
 Date: 11/02/2018

Sheet Name:
 INTERIOR
 ELEVATIONS

A4.3

Order Plans @

WWW.LDLINE.COM