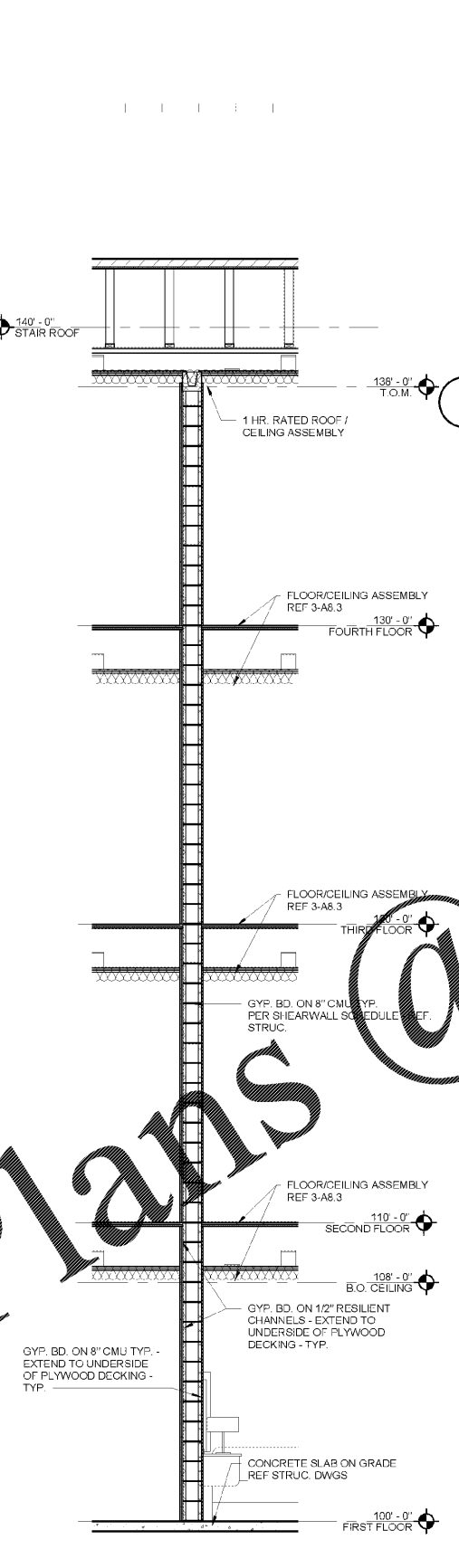
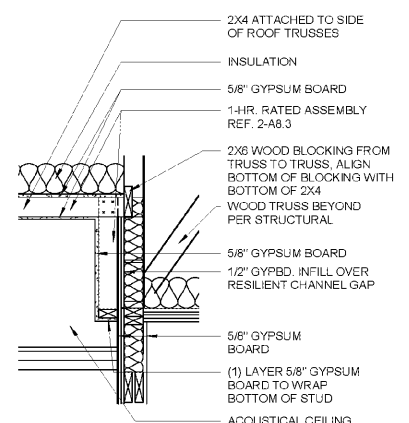


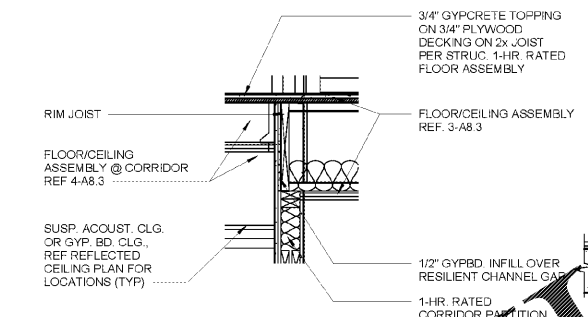
9 TYP. CORRIDOR SECTION
 3/8" = 1'-0"



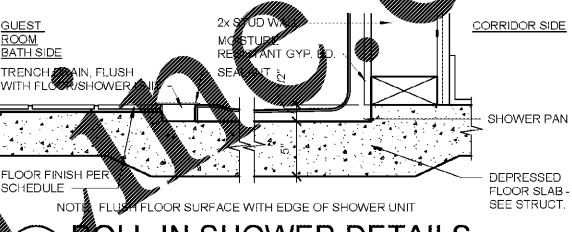
8 TYP. SHEARWALL SECTION
 3/8" = 1'-0"



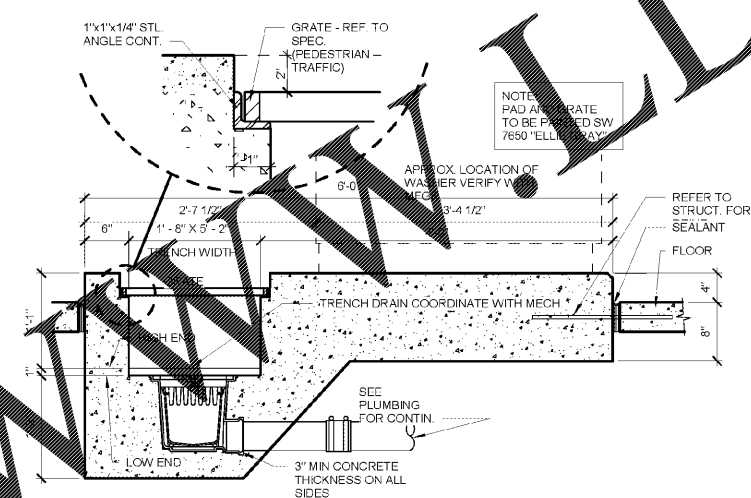
7 TYP @ 4TH FLOOR CORRIDOR
 3/4" = 1'-0"



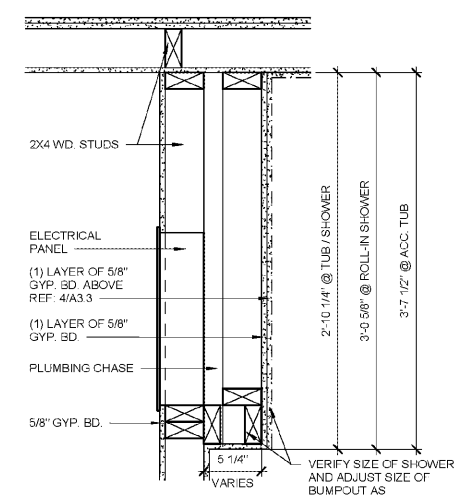
6 TYP. CORRIDOR
 3/4" = 1'-0"



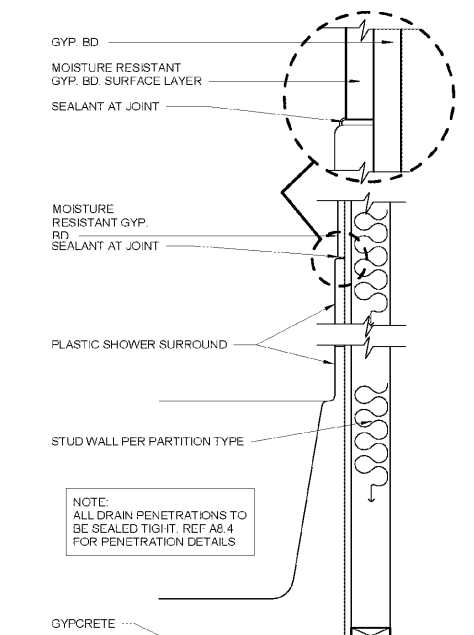
3 ROLL-IN SHOWER DETAILS
 1 1/2" = 1'-0"



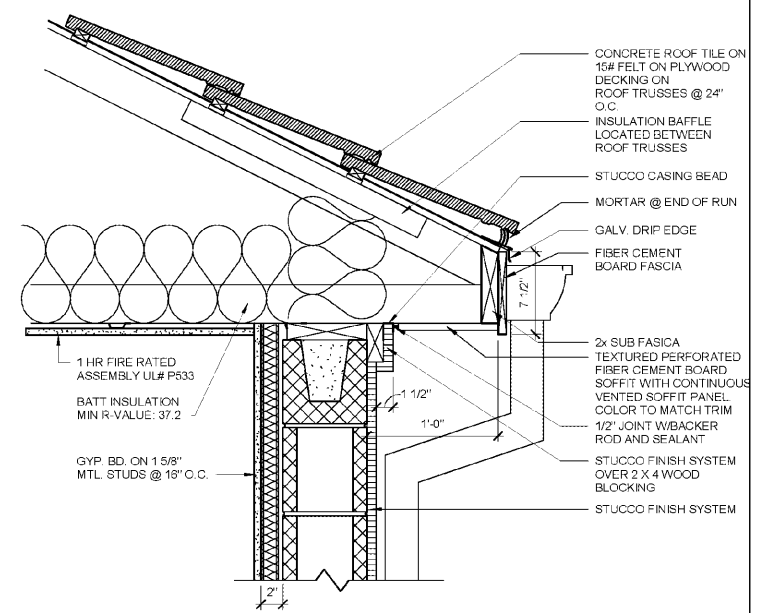
5 WASHER DRAIN DETAILS
 1" = 1'-0"



2 SHOWER PLUMBING WALL
 1 1/2" = 1'-0"



4 SECTION THRU TUB/SHOWER
 1 1/2" = 1'-0"



1 TYP. EAVE DETAIL
 1 1/2" = 1'-0"

Older Plans @ WOODSPRING WOODSPRING.COM

WOODSPRING SUITES
 CYPRESS CREEK, FLORIDA
 Pasco County
 Cypress Creek, FL

Issues & Revisions:

Proj. No.: 078761
 Date: 11/02/2018

Sheet Name:
 WALL SECTIONS & DETAILS

A3.3