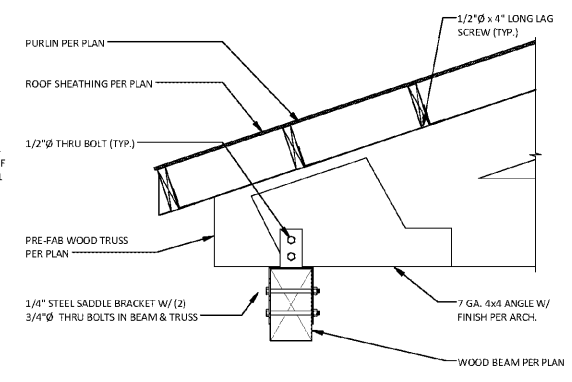
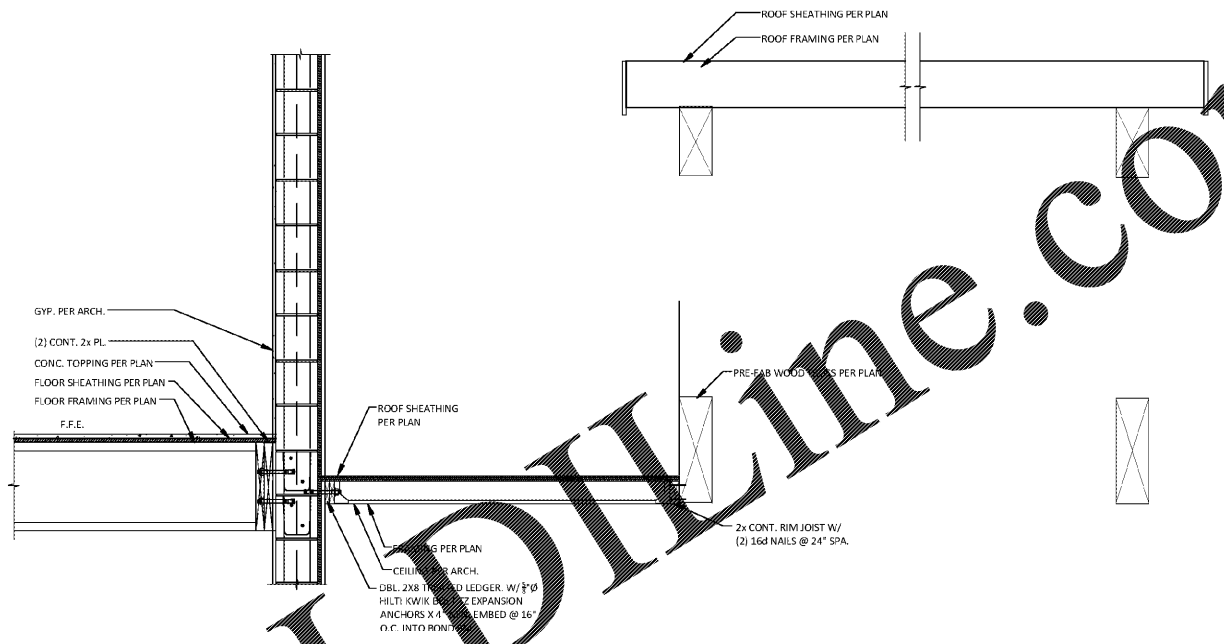


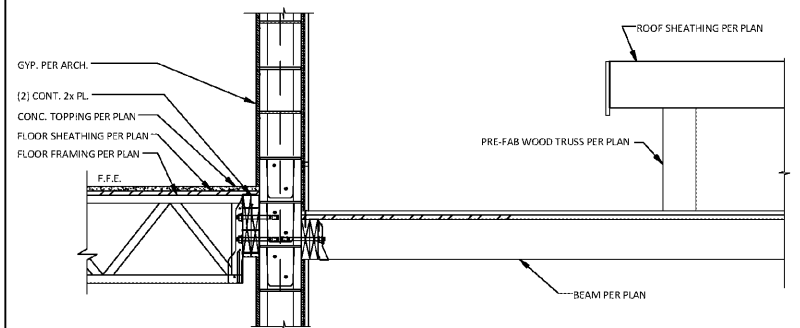
A
S5.1
CANOPY FRAMING PLAN
 SCALE: 3/16" = 1'-0"



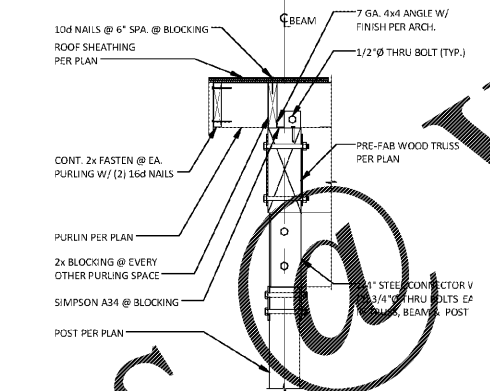
B
S5.1
SECTION
 SCALE: 3/4" = 1'-0"



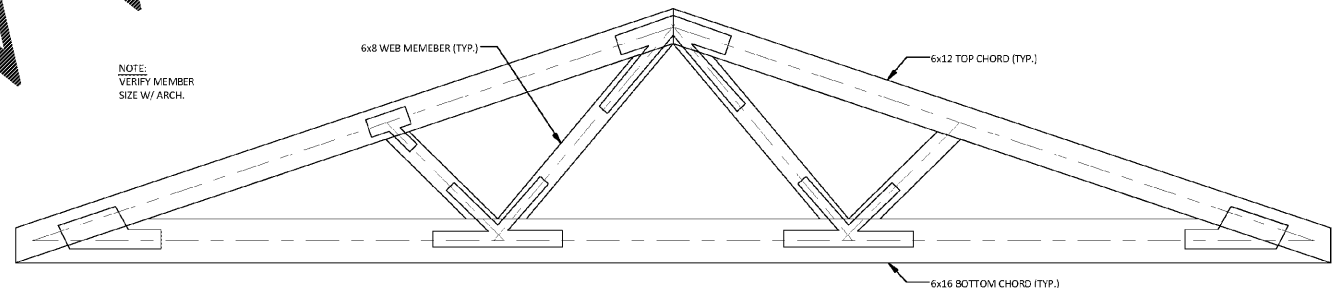
C
S5.1
SECTION
 SCALE: 3/4" = 1'-0"



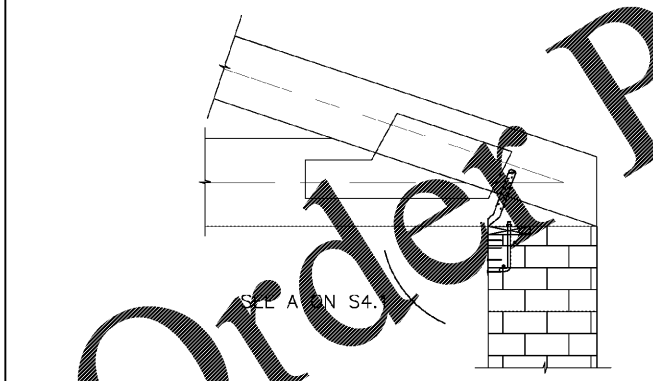
D
S5.1
SECTION
 SCALE: 3/4" = 1'-0"



E
S5.1
SECTION
 SCALE: 3/4" = 1'-0"



F
S5.1
SECTION
 NTS



G
S5.1
SECTION
 SCALE: 3/4" = 1'-0"

WWW.LDOnline.com

Order Plans

WOODSPRING SUITES
CYPRESS CREEK, FLORIDA
 Pasco County
 Cypress Creek, FL

Issues & Revisions:

Proj. No.: 078761
 Date: 10/02/2018

Sheet Name:
 FRONT CANOPY PLAN & SECTIONS

S5.1