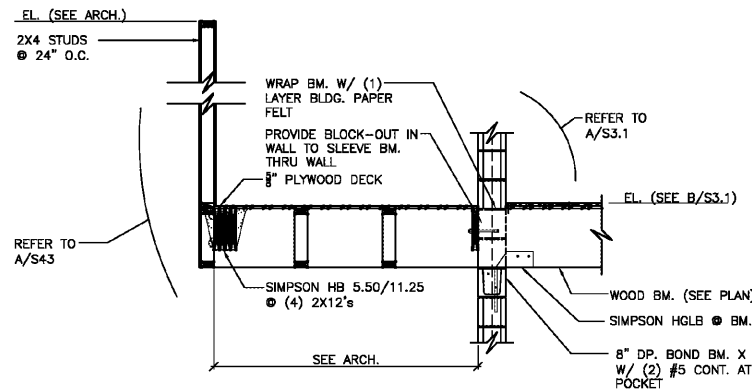
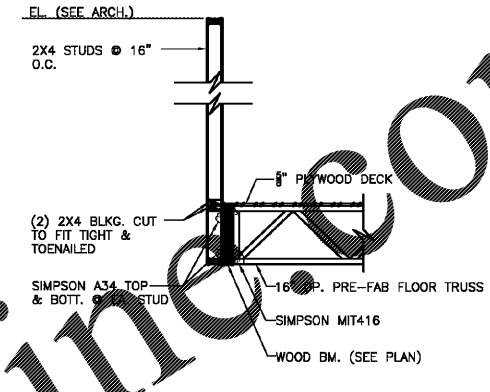


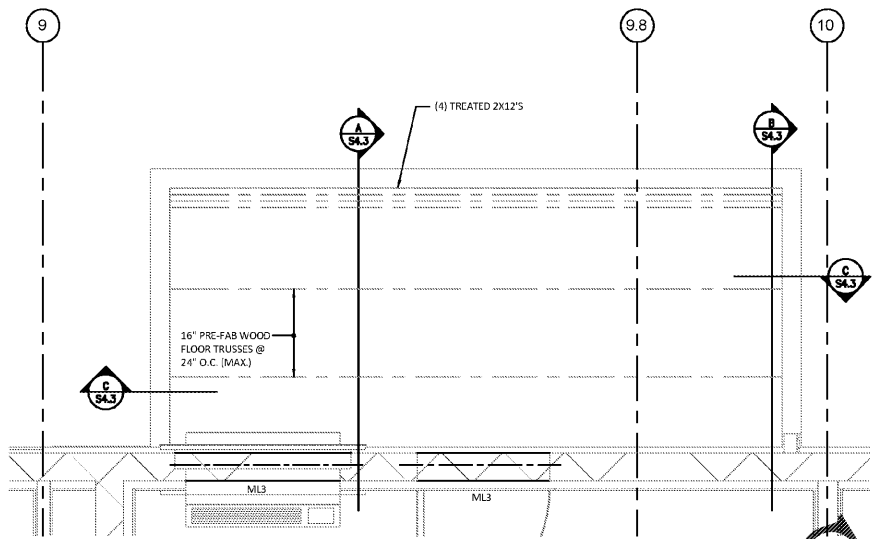
A
 SECTION @ REAR CANOPY
 SCALE: 1/2" = 1'-0"
 NOTE: SEE ARCH. FOR LOW ROOF OVERBUILD FOR SLOPE TO DRAIN.



B
 SECTION @ REAR CANOPY
 SCALE: 1/2" = 1'-0"
 NOTE: SEE ARCH. FOR LOW ROOF OVERBUILD FOR SLOPE TO DRAIN.



C
 SECTION @ REAR CANOPY
 SCALE: 1/2" = 1'-0"



D
 SECTION
 SCALE: 1/2" = 1'-0"

Order Plans

@

WWW.LDILLIING.COM

WOODSPRING SUITES
CYPRESS CREEK, FLORIDA
 Pasco County
 Cypress Creek, FL

Issues & Revisions:

Proj. No.: 078761
 Date: 10/02/2018

Sheet Name:
 ROOF FRAMING
 SECTIONS

S4.3