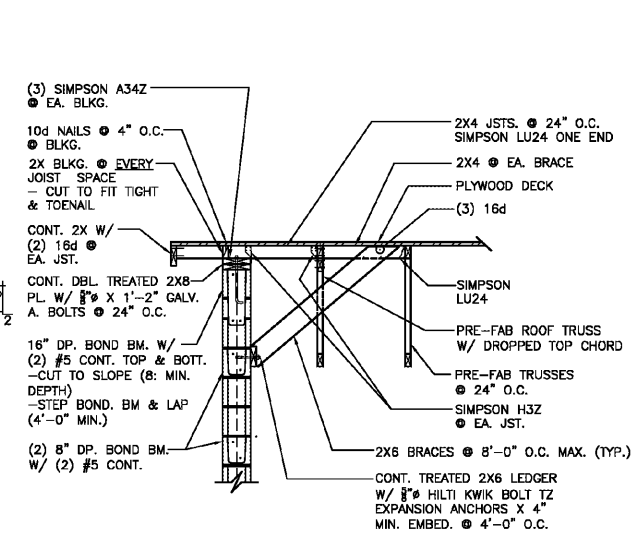


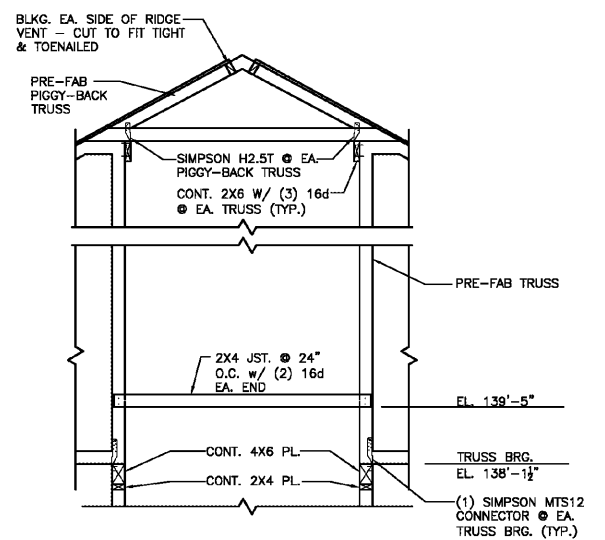
**A SECTION @ ROOF**

**S4.1** SCALE: 1/2" = 1'-0"  
 NOTES:  
 1. ROOF DECKING MUST BE NAILED TO BLKG.  
 2. EACH TRUSS SPACE BLOCKED AT BLOCKED DIAPHRAGM LOCATIONS.



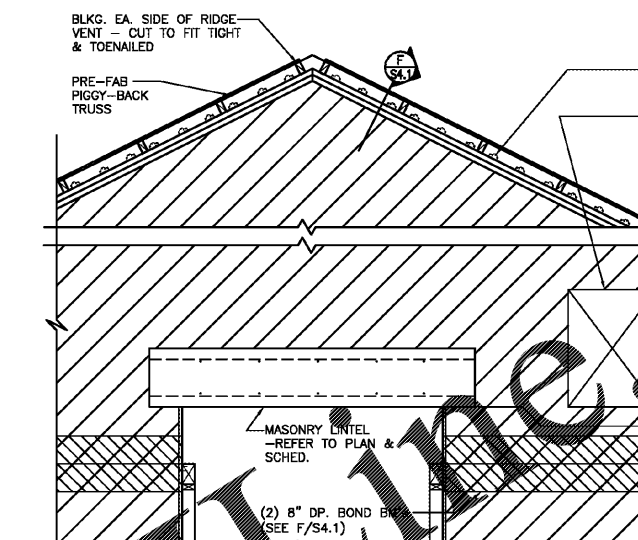
**B SECTION @ ROOF**

**S4.1** SCALE: 1/2" = 1'-0"



**C SECTION @ ROOF**

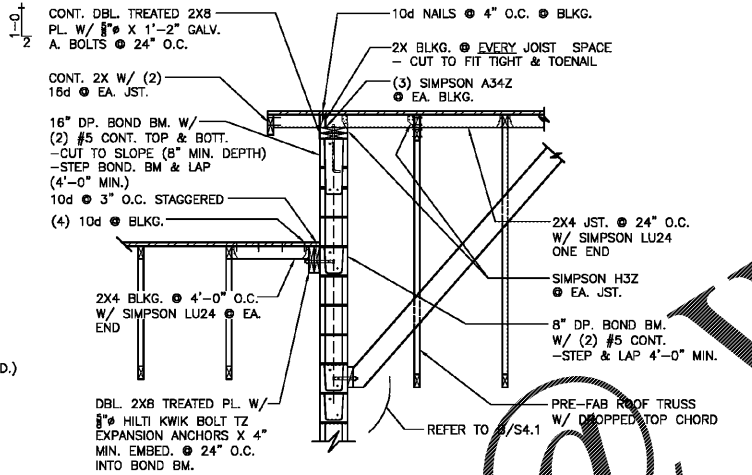
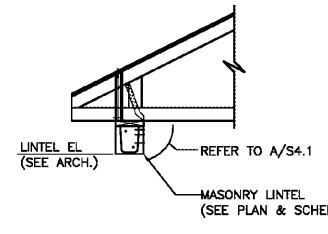
**S4.1** SCALE: 1/2" = 1'-0"  
 NOTE: WOOD ROOF TRUSSES SHALL SPAN FROM EXTERIOR WALL TO INTERIOR WALL. (MAXIMUM TRUSS LENGTH = 28'-6")



**D SECTION @ ROOF**

**S4.1** SCALE: 1/2" = 1'-0"

**NOTE**  
 AT MASONRY CONTROL JOINTS BOND BM. REINF. AT TRUSS BRG. & DECK BRG. SHALL BE CONT. WITH VERTICAL JOINT AT BOTH SIDES RAKED 2" DEEP & SEALED  
**NOTE**  
 8" DP. BOND BEAM W/ (2) #5 CONT. SHALL BE SPACED AT 10'-0" O.C. MAX. VERTICALLY IN WALLS



**E SECTION @ ROOF**

**S4.1** SCALE: 1/2" = 1'-0"

**F SECTION @ ROOF**

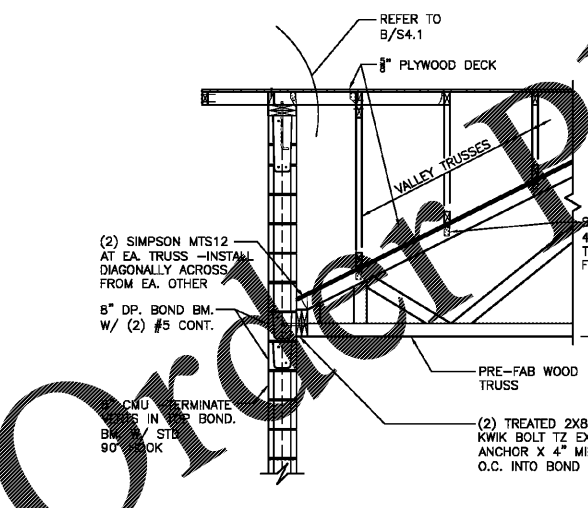
**S4.1** SCALE: 1/2" = 1'-0"

**G SECTION @ ROOF**

**S4.1** SCALE: 1/2" = 1'-0"

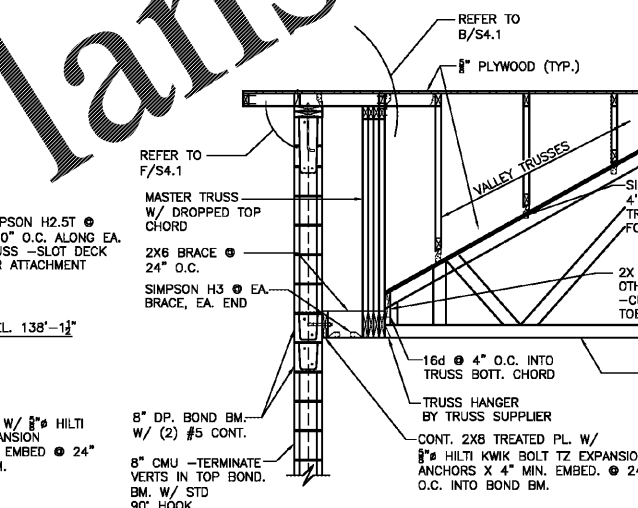
**H SECTION @ ROOF**

**S4.1** SCALE: 1/2" = 1'-0"



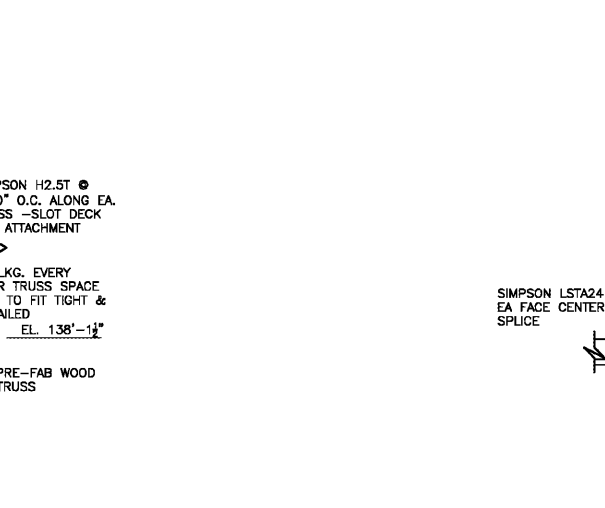
**I SECTION @ ROOF**

**S4.1** SCALE: 1/2" = 1'-0"



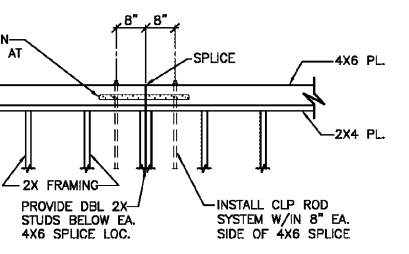
**J SECTION @ ROOF**

**S4.1** SCALE: 1/2" = 1'-0"



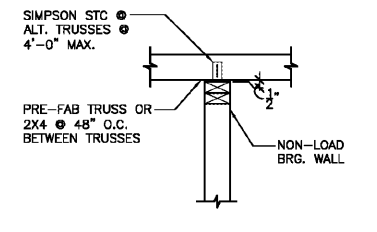
**K ROOF TOP PL. CHORD SPLICE**

**S4.1** SCALE: 1/2" = 1'-0"  
 TYP. AT ALL COORIDOR WALLS UNLESS NOTED



**L SECTION @ ROOF**

**S4.1** SCALE: 1/2" = 1'-0"  
 NON-BRG. WALL



**WOODSPRING SUITES**  
 CYPRESS CREEK, FLORIDA  
 Pasco County  
 Cypress Creek, FL

Proj. No.: 078761  
 Date: 10/02/2018  
 Sheet Name:  
 ROOF FRAMING SECTIONS

**S4.1**