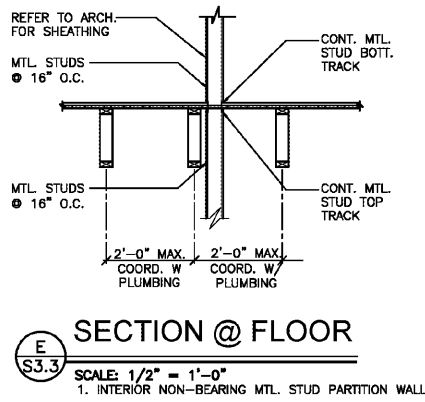


A
 S3.3
 SECTION @ FLOOR
 SCALE: 1/2" = 1'-0"

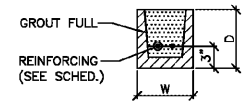
B
 S3.3
 SECTION @ FLOOR
 SCALE: 1/2" = 1'-0"

C
 S3.3
 SECTION @ FLOOR
 SCALE: 1/2" = 1'-0"
 NOTE: LOCATED AT 2ND FLOOR.

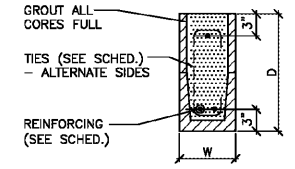
D
 S3.3
 SECTION @ FLOOR
 SCALE: 1/2" = 1'-0"
 NOTE: LOCATED AT 2ND FLOOR.



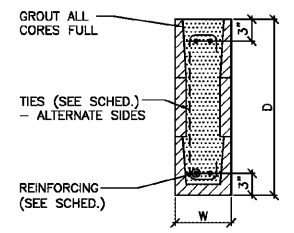
E
 S3.3
 SECTION @ FLOOR
 SCALE: 1/2" = 1'-0"
 1. INTERIOR NON-BEARING MTL. STUD PARTITION WALL



1
 S3.3
 MASONRY LINTEL DTL.
 SCALE: 1/2" = 1'-0"



2
 S3.3
 MASONRY LINTEL DTL.
 SCALE: 1/2" = 1'-0"



3
 S3.3
 MASONRY LINTEL DTL.
 SCALE: 1/2" = 1'-0"

Order Plans @ www.LDLine.com

WOODSPRING SUITES
 WOODSPRING SUITES
 CYPRESS CREEK, FLORIDA
 Pasco County
 Cypress Creek, FL

Issues & Revisions:

Proj. No.: 078761
 Date: 10/02/2018

Sheet Name:
 FLOOR FRAMING SECTIONS

S3.3