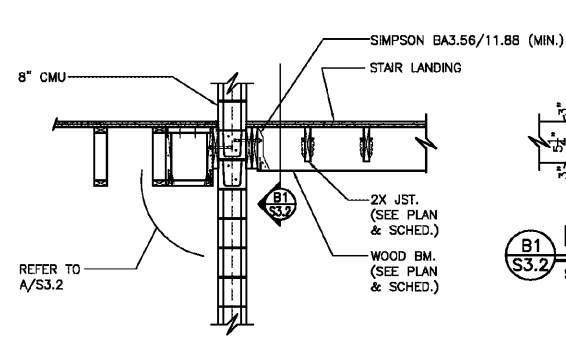
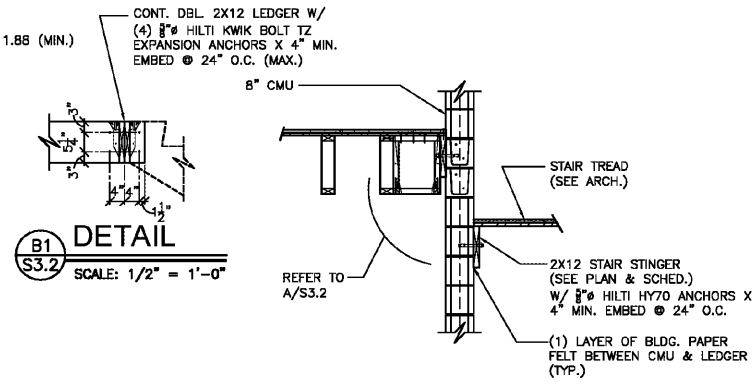


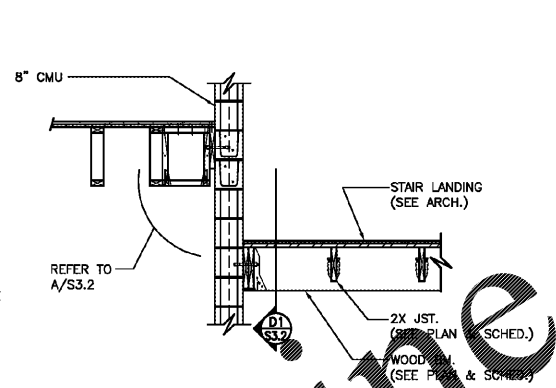
A
 S3.2 SECTION @ FLOOR
 SCALE: 1/2" = 1'-0"



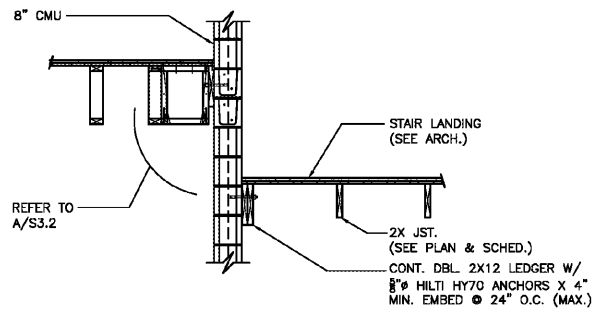
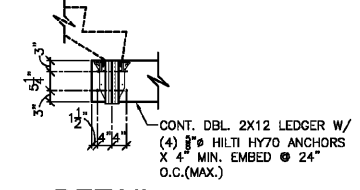
B
 S3.2 SECTION @ FLOOR
 SCALE: 1/2" = 1'-0"



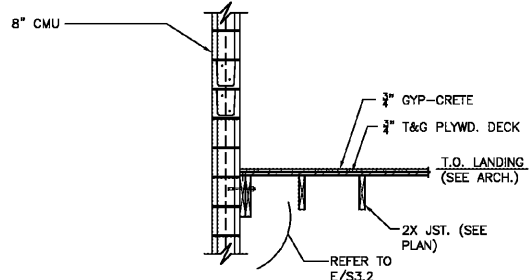
C
 S3.2 SECTION @ FLOOR
 SCALE: 1/2" = 1'-0"



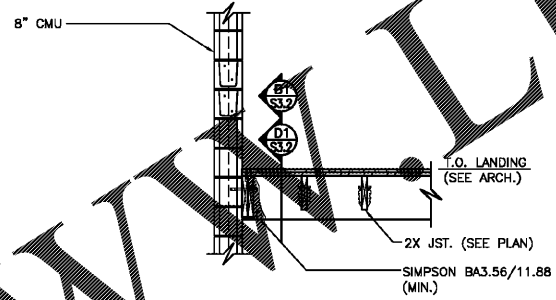
D
 S3.2 SECTION @ FLOOR
 SCALE: 1/2" = 1'-0"



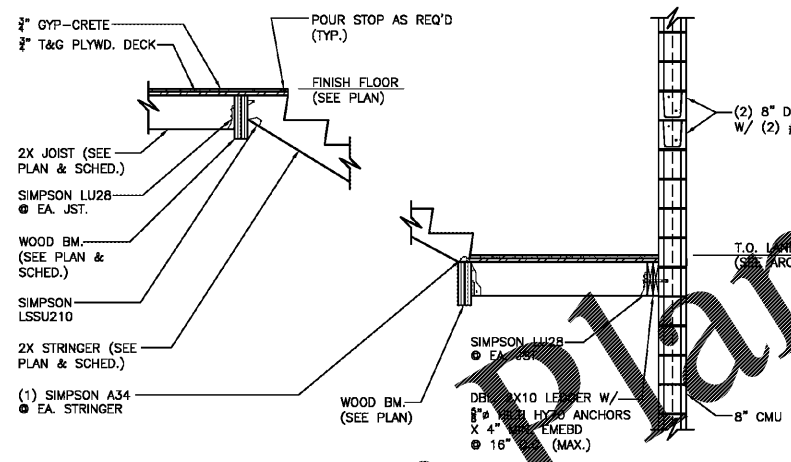
E
 S3.2 SECTION @ FLOOR
 SCALE: 1/2" = 1'-0"



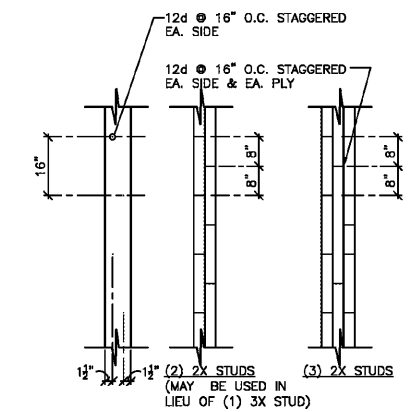
F
 S3.2 SECTION @ FLOOR
 SCALE: 1/2" = 1'-0"



G
 S3.2 SECTION @ FLOOR
 SCALE: 1/2" = 1'-0"



H
 S3.2 SECTION @ FLOOR
 SCALE: 1/2" = 1'-0"



1
 S3.2 BUILT-UP 2X COLUMNS STUDS
 SCALE: N.T.S.

WOODSPRING SUITES
 CYPRESS CREEK, FLORIDA
 Pasco County
 Cypress Creek, FL

Issues & Revisions:

Proj. No.: 078761
 Date: 10/02/2018

Sheet Name:
 FLOOR FRAMING SECTIONS

S3.2