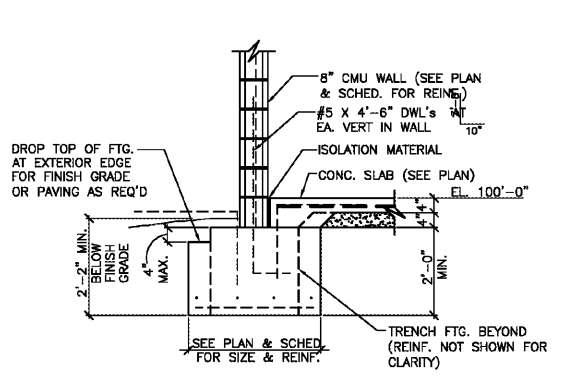
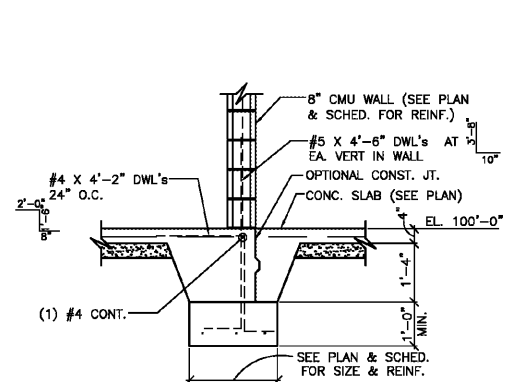


**A SECTION @ FNDN.**  
 S2.1 SCALE: 1/2" = 1'-0"

NOTE:  
 1. G.C. HAS OPTION TO USE EPOXY DOWELS IN LIEU OF C.I.P. DOWELS SHOWN, #5 X 3'-2" DWL'S W/ HILTI HY200 X 5/8" MIN. EMBED AT EA. VERT. IN WALL IS ACCEPTABLE  
 2. PLACE #5 VERT. EA. SIDE OF MCJ

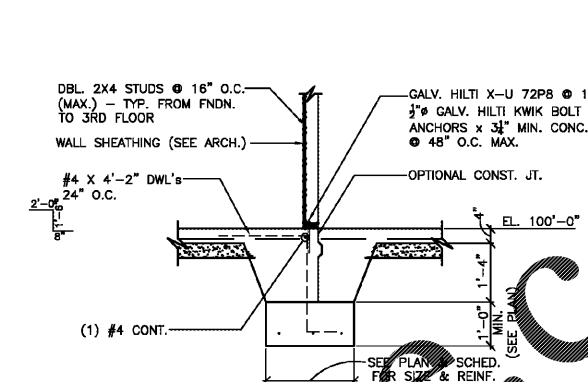


**B SECTION @ FNDN.**  
 S2.1 SCALE: 1/2" = 1'-0"



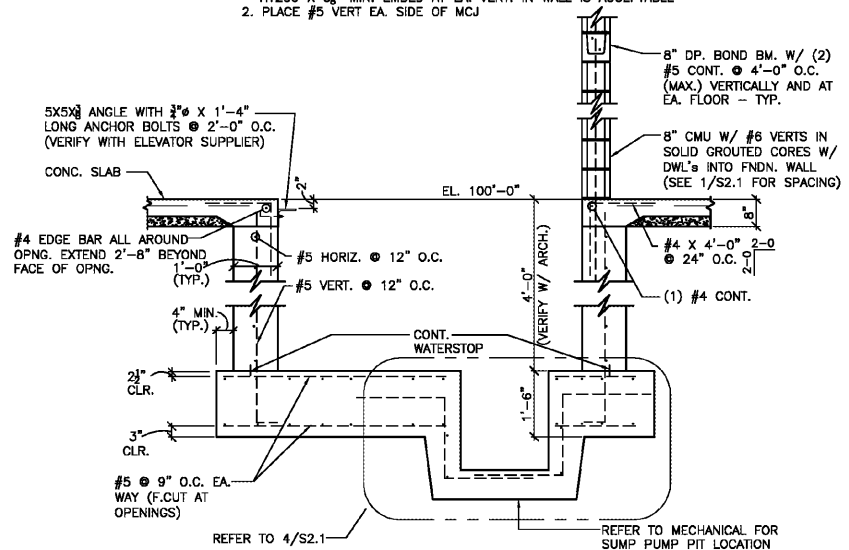
**C SECTION @ FNDN.**  
 S2.1 SCALE: 1/2" = 1'-0"

NOTE:  
 1. G.C. HAS OPTION TO USE EPOXY DOWELS IN LIEU OF C.I.P. DOWELS SHOWN, #5 X 3'-2" DWL'S W/ HILTI HY200 X 5/8" MIN. EMBED AT EA. VERT. IN WALL IS ACCEPTABLE  
 2. PLACE #5 VERT. EA. SIDE OF MCJ

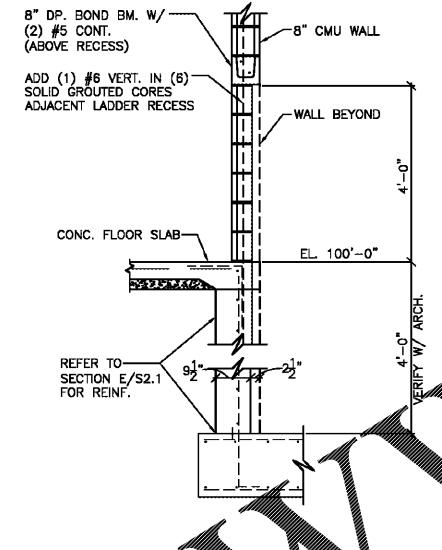


**D SECTION @ FNDN.**  
 S2.1 SCALE: 1/2" = 1'-0"

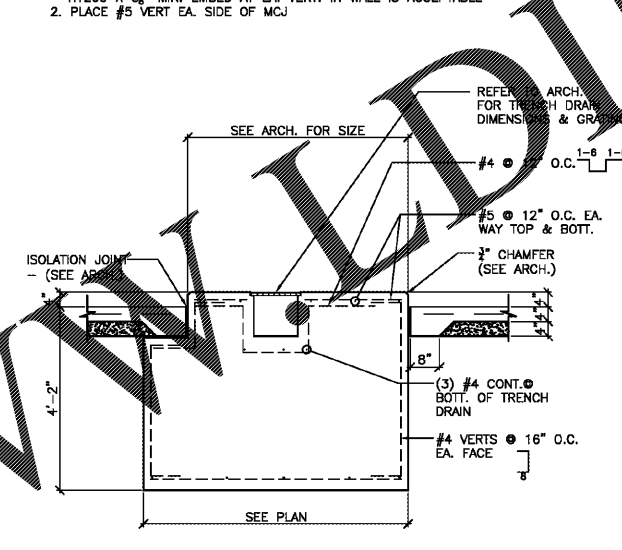
NOTE:  
 SEE PLAN FOR LOCATIONS CORRIDOR FOOTING DEEPENS COORDINATION WITH WASTE LINE DOWN CORRIDOR.



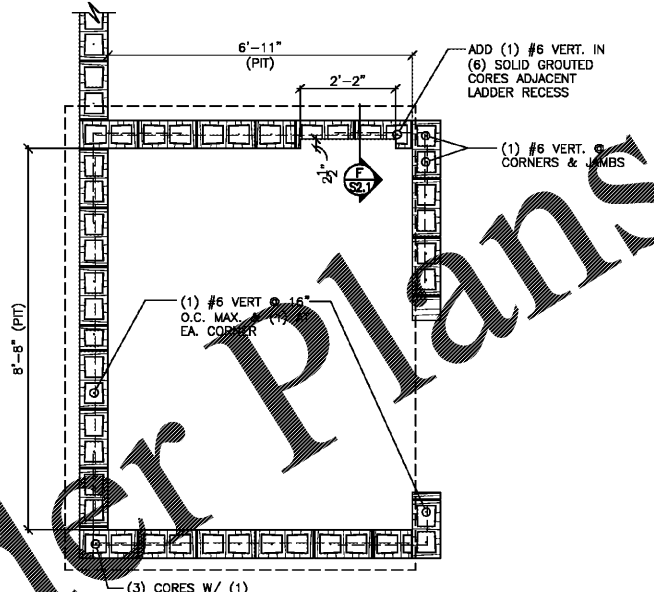
**E SECTION @ FNDN.**  
 S2.1 SCALE: 1/2" = 1'-0"



**F SECTION @ FNDN.**  
 S2.1 SCALE: 1/2" = 1'-0"

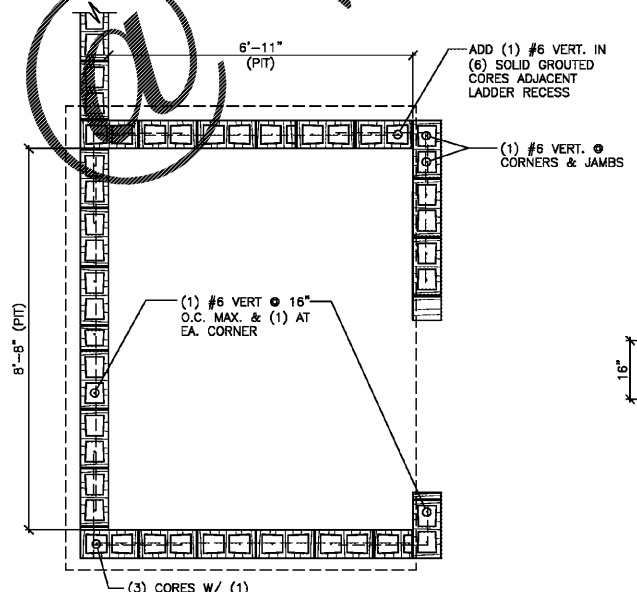


**H SECTION @ FNDN.**  
 S2.1 SCALE: 1/2" = 1'-0" ISOLATED CONCRETE PAD



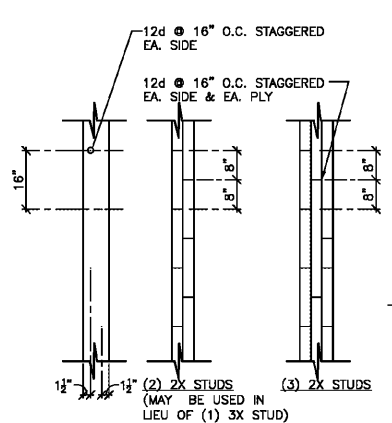
**1 ELEVATOR SHAFT PLAN @ LADDER RECESS**  
 S2.1 SCALE: 1/2" = 1'-0"

NOTE: FIELD VERIFY LADDER RECESS LOCATION

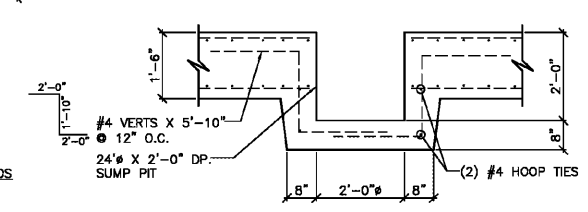


**2 ELEVATOR SHAFT REINF. PLAN**  
 S2.1 SCALE: 1/2" = 1'-0"

NOTE:  
 1. PROVIDE JOINT REINFORCING @ 16" O.C. (MAX.)  
 2. 8" DP. BOND BEAMS W/ (2) #5 CONT. @ 4'-0" O.C. (MAX.) - VERTICALLY (TYP.)



**3 BUILT-UP 2X CLOUMNS/STUDS**  
 S2.1 SCALE: 1/2" = 1'-0"



**4 SUMP PUMP BASIN**  
 S2.1 SCALE: 1/2" = 1'-0"

**WOODSPRING SUITES**  
 CYPRESS CREEK, FLORIDA  
 Pasco County  
 Cypress Creek, FL

Issues & Revisions:

Proj. No.: 078761  
 Date: 10/02/2018

Sheet Name:  
 FOOTING & FOUNDATION SECTIONS

**S2.1**