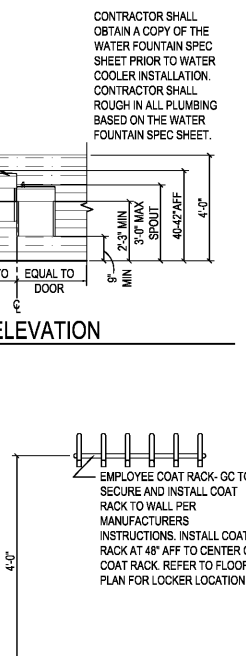
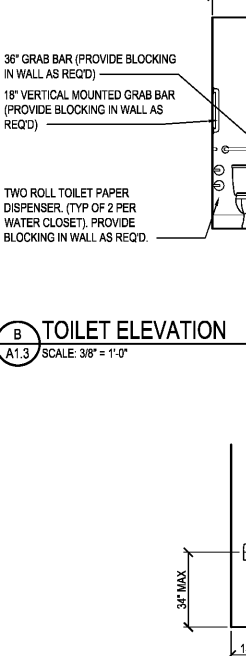


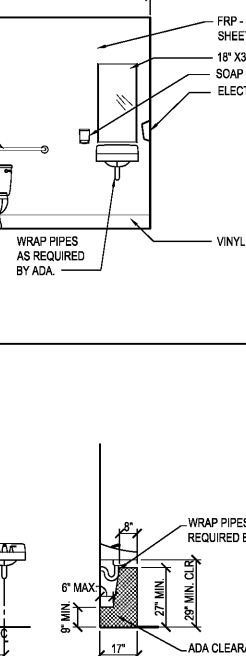
1 ENLARGED TOILET PLAN
A1.3 SCALE: 3/8" = 1'-0"



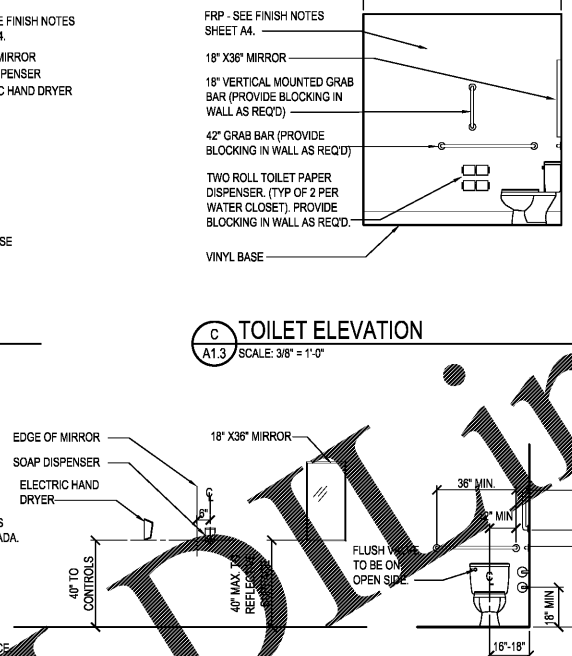
A DRINKING FOUNTAIN ELEVATION
A1.3 SCALE: 3/8" = 1'-0"



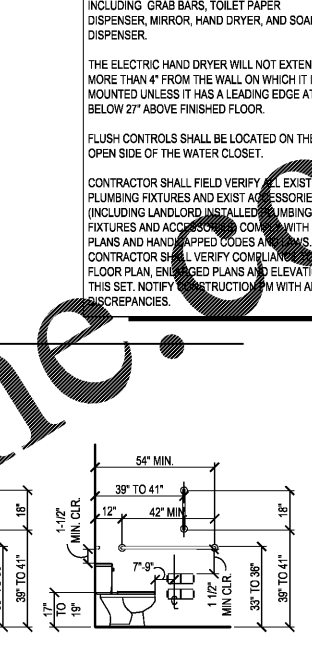
B TOILET ELEVATION
A1.3 SCALE: 3/8" = 1'-0"



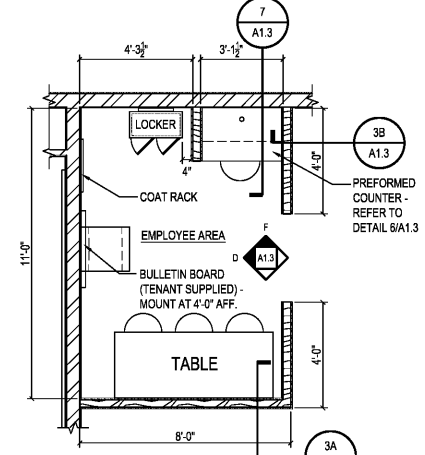
C TOILET ELEVATION
A1.3 SCALE: 3/8" = 1'-0"



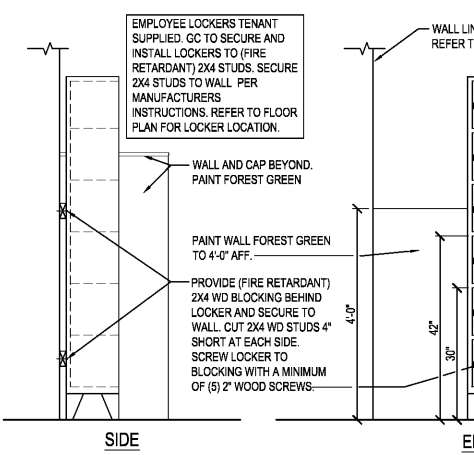
D EMPLOYEE COAT RACK ELEVATION
A1.3 SCALE: 3/4" = 1'-0"



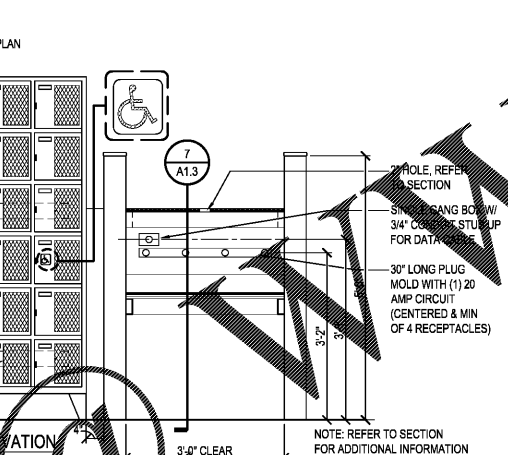
E TYPICAL ACCESSIBILITY CLEARANCES
A1.3 SCALE: 3/8" = 1'-0"



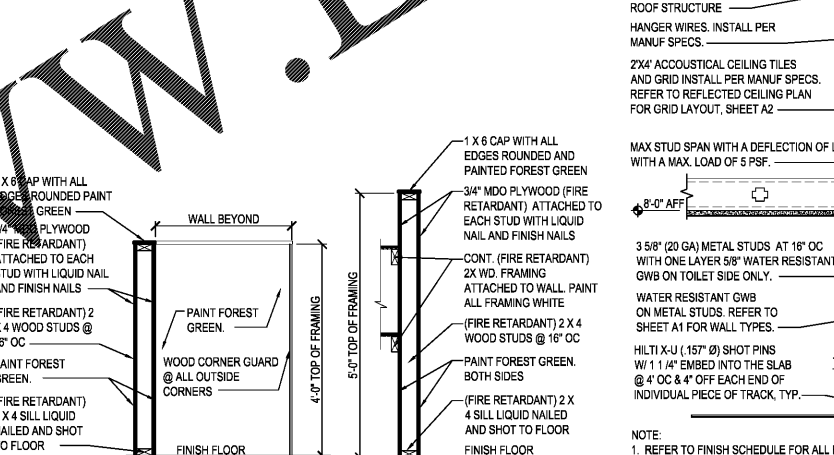
2 ENLARGED EMPLOYEE AREA
A1.3 SCALE: 3/8" = 1'-0"



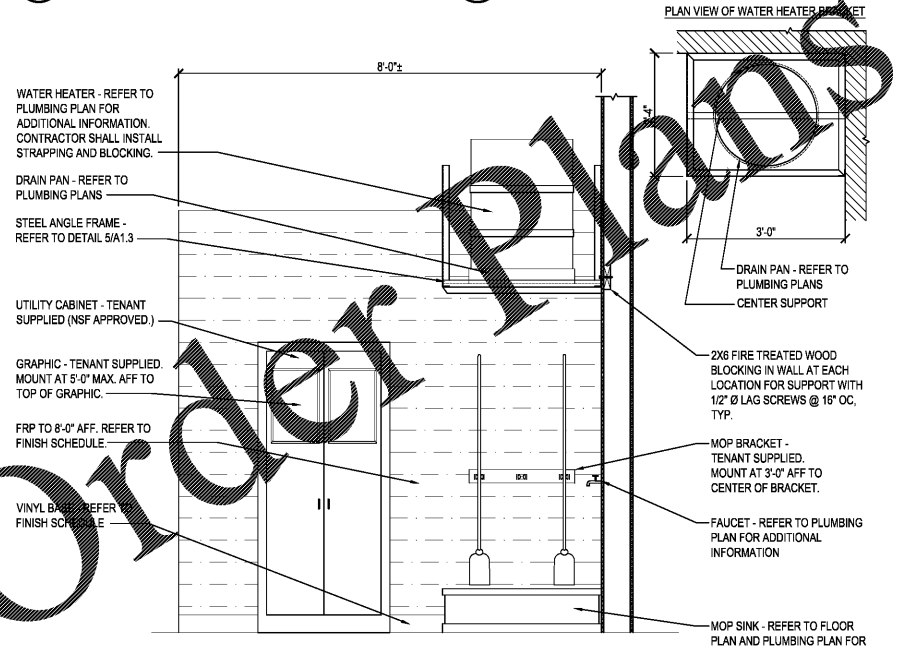
F LOCKER AND TRAINING DESK ELEVATION
A1.3 SCALE: 3/4" = 1'-0"



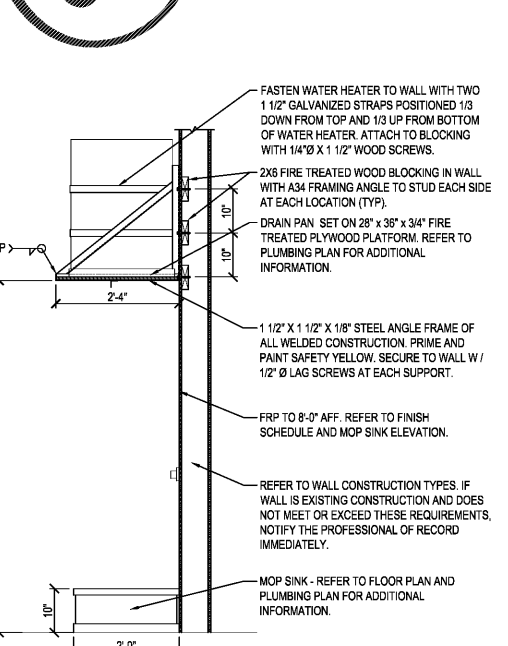
3 EMPLOYEE AREA SECTION
A1.3 SCALE: 3/4" = 1'-0"



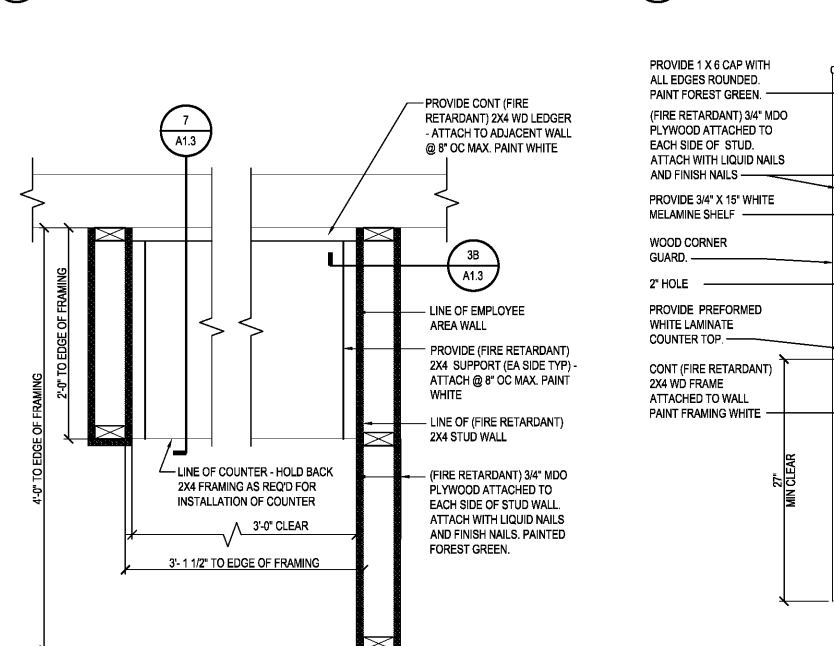
4 CEILING DETAIL AT TOILET / HALLWAY
A1.3 SCALE: 1 1/2" = 1'-0"



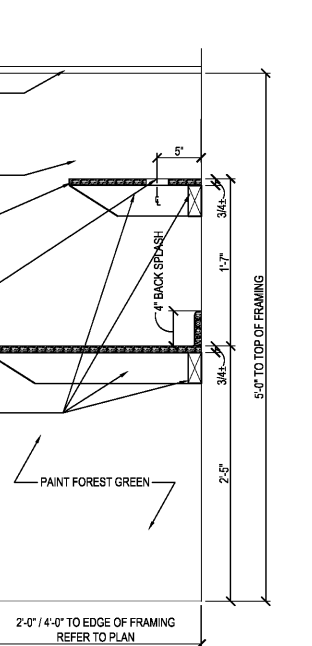
G MOP SINK AND UTILITY CABINET ELEVATION
A1.3 SCALE: 3/4" = 1'-0"



5 WATER HEATER MOUNTING DETAIL
A1.3 SCALE: 3/4" = 1'-0"



6 DETAIL
A1.3 SCALE: 1 1/2" = 1'-0"



7 SECTION
A1.3 SCALE: 1 1/2" = 1'-0"

NOTE:
TOILET ACCESSORIES ARE TENANT SUPPLIED - INCLUDING GRAB BARS, TOILET PAPER DISPENSER, MIRROR, HAND DRYER, AND SOAP DISPENSER.
THE ELECTRIC HAND DRYER WILL NOT EXTEND MORE THAN 4" FROM THE WALL ON WHICH IT IS MOUNTED UNLESS IT HAS A LEADING EDGE AT OR BELOW 27" ABOVE FINISHED FLOOR.
FLUSH CONTROLS SHALL BE LOCATED ON THE OPEN SIDE OF THE WATER CLOSET.
CONTRACTOR SHALL FIELD VERIFY ALL EXISTING PLUMBING FIXTURES AND EXIST ACCESSORIES (INCLUDING LANDLORD INSTALLED PLUMBING FIXTURES AND ACCESSORIES) COMPLY WITH PLANS AND HAND-DAPPED CODES AND STANDARDS. CONTRACTOR SHALL VERIFY COMPLIANCE WITH THIS SET. NOTIFY ARCHITECT IMMEDIATELY WITH ANY DISCREPANCIES.

RRMM ARCHITECTS, PC
Robert S. Berz, Jr., Architect
Duane M. Harver, Architect
1317 Executive Blvd, Suite 200
Chesapeake, VA 23320
(757) 622-2828 / fax (757) 622-6883

DOLLAR TREE FORMER HARVEYS
FORT VALLEY, GEORGIA
ENLARGED PLANS, DETAILS, SECTIONS AND ELEVATIONS

date	project	designed	drawn	checked	description
10/10/2018	1026-06	RWH	RWH	DWH	

sheet **A1.3**