

PUBLIX FACILITIES DESIGN DEPARTMENT

DAVID W. BEEBE, PE
ARCHITECT FL REG. 11532
DAVID W. BEEBE, PE
ARCHITECT FL REG. 11532
GA REG. 24905
AL REG. 101862
TN REG. 39873
VA REG. 040205922
IN REG. 101507

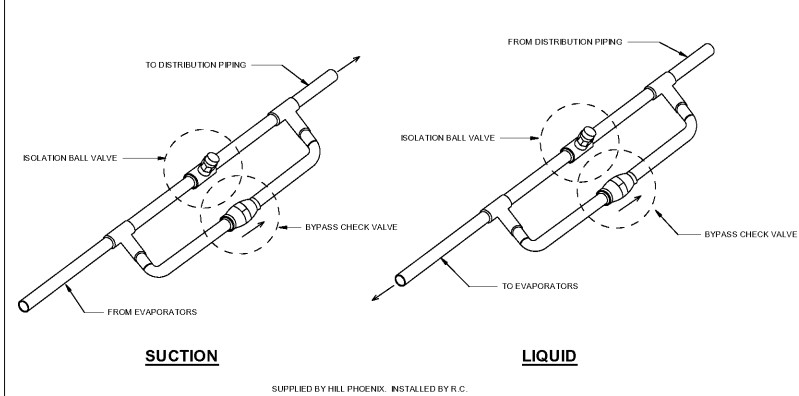
JOHN W. KITCHENS, PE
CIVIL STRUCTURAL FL REG. 46277
GA REG. 25581
SC REG. 18140
AL REG. 20582
TN REG. 101507
VA REG. 040205922

PAUL C. HARMAN, PE
STRUCTURAL FL REG. 15909
GA REG. 27740
SC REG. 21754
TN REG. 24905
NC REG. 101862
VA REG. 040205922

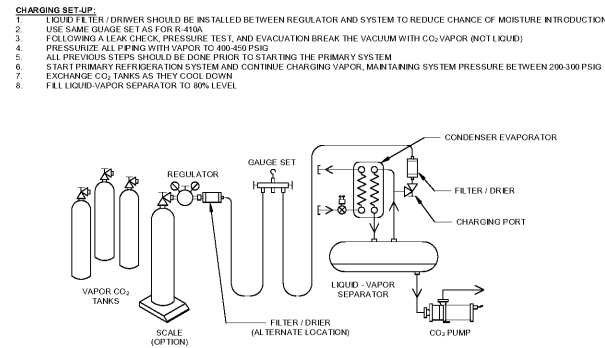
JOHN J. CARAMALIS, PE
MECHANICAL FL REG. 43889
GA REG. 02148
SC REG. 18221
AL REG. 20581
TN REG. 106507
VA REG. 0402059478

ANTHONY CLEMENTI, PE
MECHANICAL FL REG. 54781
GA REG. 31882
SC REG. 25581
AL REG. 28489
TN REG. 111382
NC REG. 039984
VA REG. 040205937

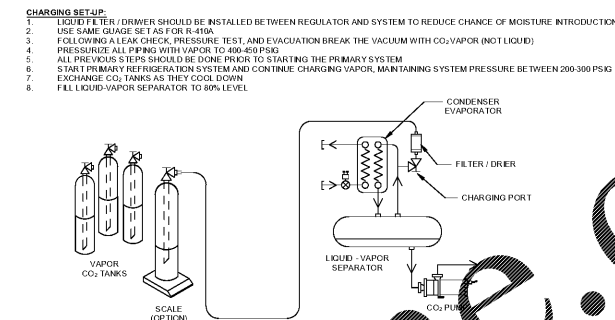
RAYMOND J. SIRIANNI, PE
ELECTRICAL FL REG. 54085
GA REG. 02058
SC REG. 19743
AL REG. 23965
TN REG. 098038
NC REG. 039983
VA REG. 040205379



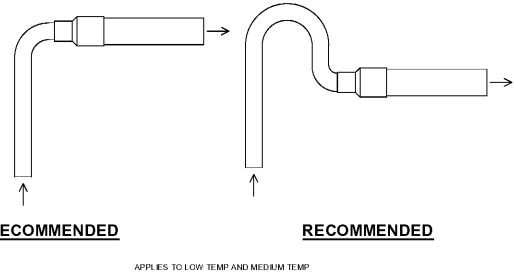
1 REFRIG - CIRCUIT ISOLATION VALVE ASSEMBLIES
SCALE: N.T.S.



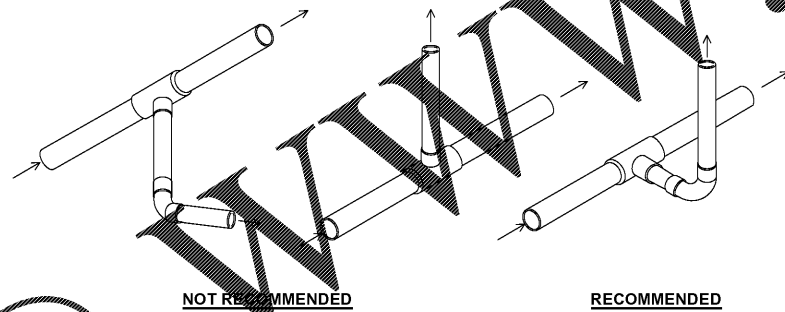
2 REFRIG - CO2 VAPOR CHARGING SETUP
SCALE: N.T.S.



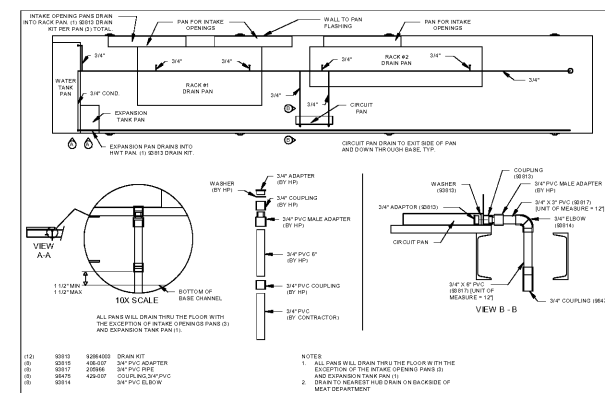
3 REFRIG - CO2 LIQUID CHARGING SETUP
SCALE: N.T.S.



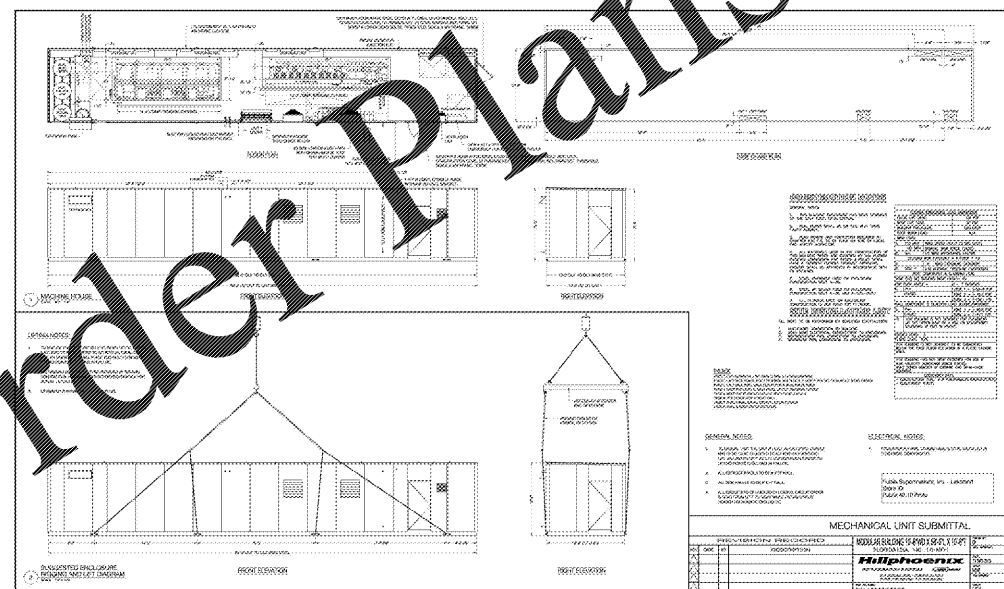
4 REFRIG - RISER RETURN TRANSITIONING INTO HORIZONTAL RUN
SCALE: N.T.S.



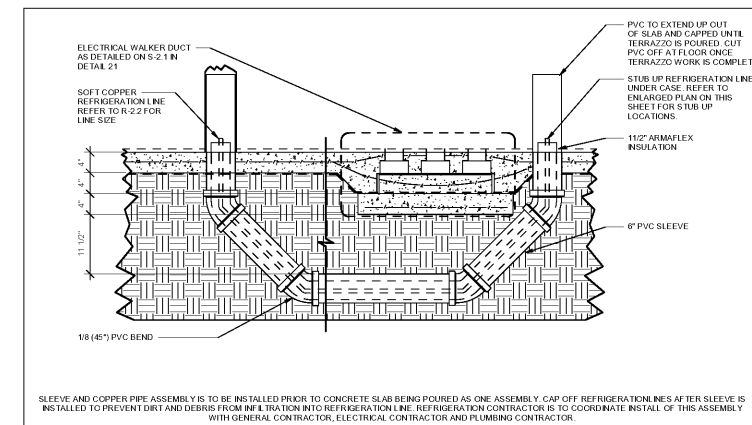
5 REFRIG - LIQUID SUPPLY LINE BRANCH PIPING
SCALE: N.T.S.



6 REFRIG - MECHANICAL CENTER DRAIN PAN DETAIL
SCALE: N.T.S.



7 REFRIG - MECHANICAL CENTER RIGGING DETAIL
SCALE: AS NOTED



8 REFRIG - UNDERGROUND REFRIGERATION PIPING (DX)
SCALE: 1" = 1'-0"

© COPYRIGHT 2018
PUBLIX SUPER MARKETS, INC.
THESE CONSTRUCTION DOCUMENTS ARE THE PROPERTY OF PUBLIX SUPER MARKETS, INC. AND ARE NOT TO BE COPIED OR REPRODUCED FOR ANY SPECIFIC BUILDING WITHOUT WRITTEN PERMISSION. THESE DRAWINGS SHALL NOT BE SUBJECT TO WITHOUT PROPER WRITTEN PERMISSION OF PUBLIX SUPER MARKETS, INC.

THE DESIGN INDICATED IN THESE CONSTRUCTION DOCUMENTS IS SOLELY TO THE BEST OF MY KNOWLEDGE, INFORMATION, AND BELIEF, COMPLY WITH THE APPLICABLE MINIMUM BUILDING CODES.

PLOT DATE:
October 22, 2018

Revision Number	Revision Description	Revision Date

STORE NUMBER
1692
Liberty Station
Liberty Pkwy and the Proposed
Eastern Roadway
Vestavia Hills
Jefferson Co., AL
48.10
V182-2018
SIENNA LITE

REFRIGERATION
DETAILS 3 OF 3

As Indicated
R3.3

Order Plans

@

WWW.LDOnline.com

PERMIT SET DATE 10/21/2018 1:51:40 PM