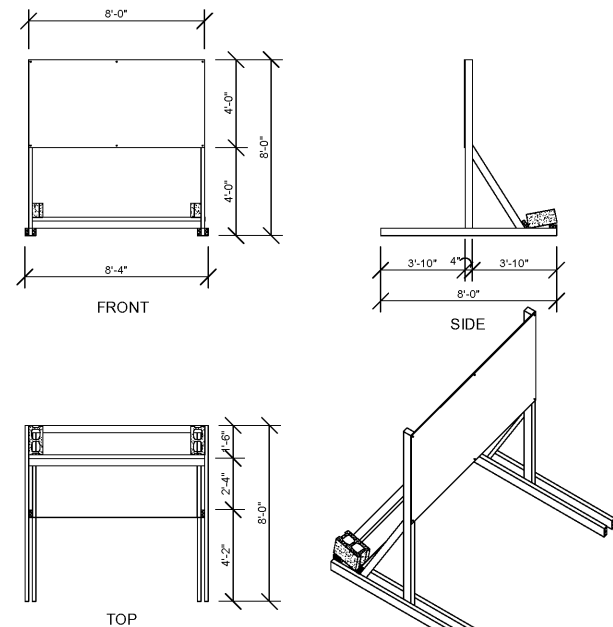
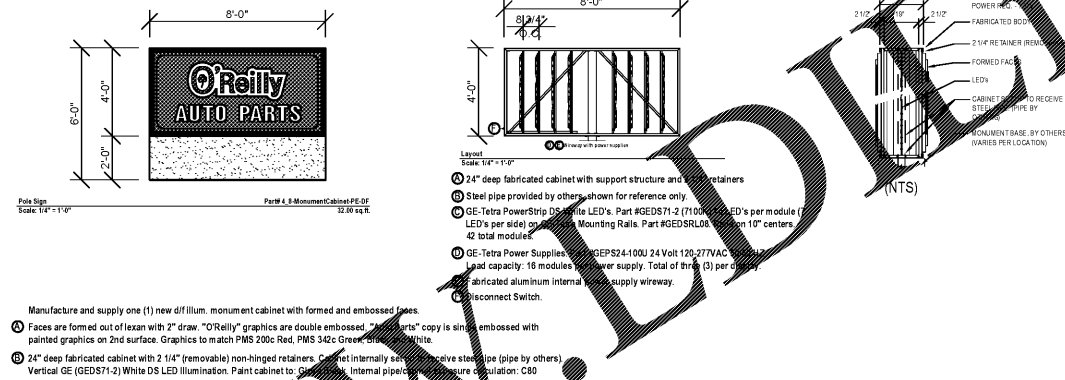


Order Plans @ WWW.LEDLighting.com



1 COMING SOON TEMPORARY CONSTRUCTION SIGN
 SG1.2 SCALE: 1/4" = 1'-0"



2 GROUND SIGN ELEVATION
 SG1.2 SCALE: 1/4" = 1'-0"

GENERAL NOTES

- A REFER TO PROJECT MANUAL FOR ADDITIONAL REQUIREMENTS.
- B CONTACT OWNER'S OR TENANT'S DESIGNATED PROJECT ADMINISTRATOR FOR QUESTIONS OR CLARIFICATIONS.
- C PERMANENT SIGNAGE OWNER FURNISHED AND INSTALLED. (REFER TO SCOPE OF WORK SCHEDULE). SIGNAGE GRAPHICS PROVIDED FOR REFERENCE ONLY (N.I.C.) AND CONTRACTOR'S COORDINATION WITH SPECIFIC PROJECT CONSTRUCTION CONDITIONS.
- D SITE SIGN ROUGH-IN ELECTRICAL TO BE PROVIDED BY CONTRACTOR.
- E REQUIRED GOVERNMENTAL PERMITS FOR PERMANENT TYPE SIGNAGE TO BE PROVIDED BY DESIGN COMPANY PERMITTEE DIRECTION (N.I.C.).
- F "COMING SOON" TEMPORARY CONSTRUCTION SIGN TO BE PROVIDED BY GENERAL CONTRACTOR. PERMANENT SIGNAGE GRAPHICS TO BE OWNER FURNISHED AND GENERAL CONTRACTOR INSTALLED. LOCATE TEMPORARY CONSTRUCTION SIGN ON SITE SO AS TO BE VISIBLE TO PUBLIC FROM RIGHT-OF-WAY.
- G UNLESS OTHERWISE INDICATED, SITE POLE SIGN FOUNDATION CONSTRUCTION BY GENERAL CONTRACTOR (BY OTHERS - NOT IN CONTACT) AND SITE MONUMENT SIGN FOUNDATION CONSTRUCTION BY GENERAL CONTRACTOR (BASE BID).

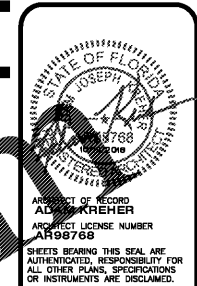
SPECIAL NOTE:
 SIGN DESIGN BY OTHERS. REFER TO SIGN CONTRACTOR'S SHOP DRAWINGS FOR ADDITIONAL REQUIREMENTS.

SITE SIGN SCHEDULE

TEMPORARY CONSTRUCTION SIGN:
 TYPE: COMING SOON
 DETAIL: REFER TO 1/SG1.2

SITE SIGN:
 TYPE: CUSTOM MONUMENT (4' H X 8' W X 6' H)
 DETAIL: REFER TO 2/SG1.2

NOTE:
 REFER TO SHEET S1.2 FOR SIGN FOUNDATION SYSTEM STRUCTURAL REQUIREMENTS.



PROJECT OF RECORD
 ADAM KREHER
 PROJECT LICENSE NUMBER
 AR09766

SHEETS BEARING THIS SEAL ARE AUTHENTICATED. RESPONSIBILITY FOR ALL OTHER PLANS, SPECIFICATIONS OR INSTRUMENTS ARE DISCLAIMED.



PROJECT:
NEW O'REILLY AUTO PARTS STORE
 463352 SR 200
 YULEE, FL 32097

SITE SIGNAGE DETAILS

DRAWN BY:	CHECKED BY:
NO	KR
DATE:	10/19/2018
REVISION:	
PROJECT NUMBER:	18155-YUL
SHEET NUMBER:	SG1.2