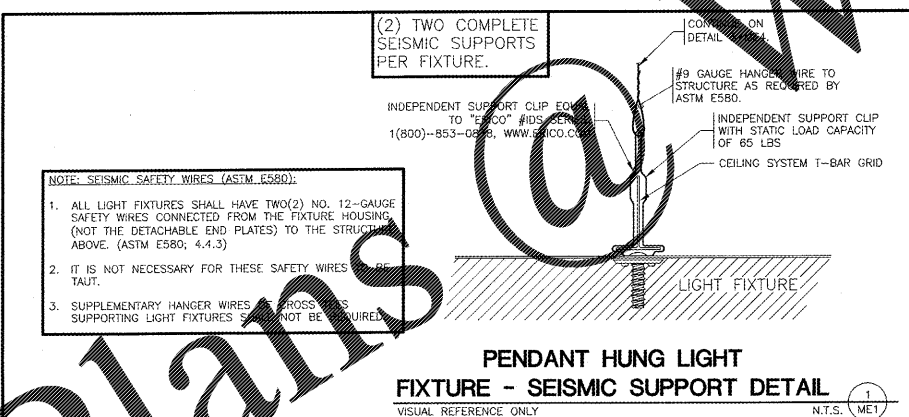
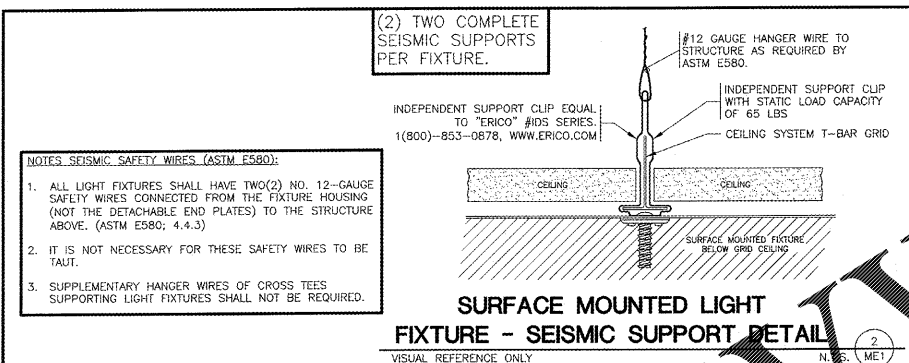
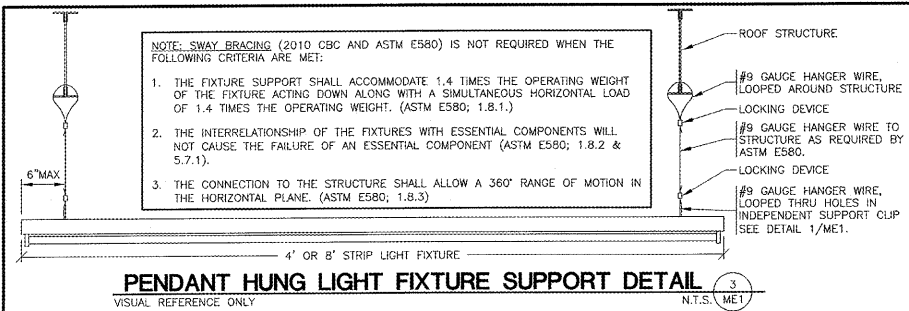


# ELECTRICAL

**CONTRACTOR TO REFER TO ARCHITECTURAL SHEET G1.1 FOR SEISMIC DESIGN CATEGORY. SEISMIC RESTRAINTS (ONLY REQUIRED FOR SEISMIC DESIGN CATEGORIES C,D,E,F)**

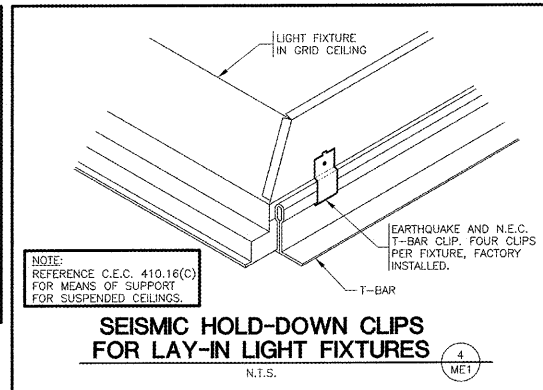
CONTRACTOR TO PROVIDE SEISMIC BRACING AS REQUIRED BY CODE. IF SEISMIC BRACING IS REQUIRED SEE BRACING DETAILS THIS SHEET.



**SEISMIC RESTRAINT ELECTRICAL CONDUITS**

TRANSVERSE BRACING WITH CONCRETE ATTACHMENTS OR STRUCTURAL STEEL ATTACHMENTS AS REQUIRED, SHALL BE USED FOR THE FOLLOWING:

- ALL CONDUIT 1" INSIDE DIAMETER AND LARGER SUSPENDED MORE THAN 12" BELOW STRUCTURE.
- ALL CONDUIT IN THE MECHANICAL ROOM 1-1/4" INSIDE DIAMETER AND LARGER SUSPENDED MORE THAN 12" BELOW STRUCTURE.
- ALL OTHER CONDUIT 2-1/2" INSIDE DIAMETER AND LARGER SUSPENDED MORE THAN 12" BELOW STRUCTURE.
- SEE DETAILS "TRAPEZE TRANSVERSE AND LONGITUDINAL BRACING FOR PIPE & CONDUIT" AND "SINGLE PIPE & CONDUIT BRACING".



# HVAC

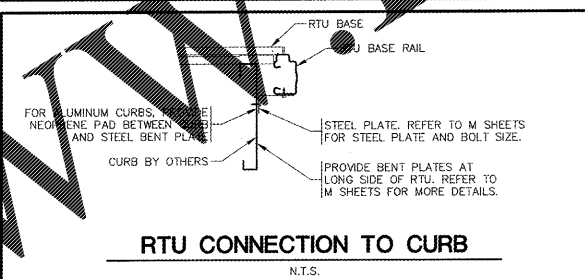
**CONTRACTOR TO REFER TO ARCHITECTURAL SHEET G1.1 FOR SEISMIC DESIGN CATEGORY. SEISMIC RESTRAINTS (ONLY REQUIRED FOR SEISMIC DESIGN CATEGORIES C,D,E,F)**

CONTRACTOR TO PROVIDE SEISMIC BRACING AS REQUIRED BY CODE. IF SEISMIC BRACING IS REQUIRED SEE BRACING DETAILS THIS SHEET.

- ALL PIPING WHICH REQUIRES RESTRAINT SHALL BE PROVIDED WITH SEISMIC EXPANSION DEVICES.
- BRANCH OR MAIN PIPE BRACING SHALL BE ATTACHED TO WEB OF ROOF PURLIN WITHIN 1-1/2" OF TOP FLANGE.
- SEE DETAILS "TRAPEZE TRANSVERSE AND LONGITUDINAL BRACING FOR PIPE & CONDUIT" AND "SINGLE PIPE & CONDUIT BRACING".

## SEISMIC RESTRAINT

- TRANSVERSE BRACING WITH CONCRETE ATTACHMENTS OR STRUCTURAL STEEL ATTACHMENTS AS REQUIRED, SHALL BE USED FOR THE FOLLOWING:
- ALL PIPE 1" INSIDE DIAMETER AND LARGER SUSPENDED MORE THAN 12" BELOW STRUCTURE.
  - ALL PIPING IN THE MECHANICAL ROOM 1-1/4" INSIDE DIAMETER AND LARGER SUSPENDED MORE THAN 12" BELOW STRUCTURE.
  - ALL OTHER PIPING 2-1/2" INSIDE DIAMETER AND LARGER SUSPENDED MORE THAN 12" BELOW STRUCTURE.
  - ALL RECTANGULAR AIR DUCTS WITH CROSS SECTION AREA OF 6 SQUARE FEET, LARGER SUSPENDED MORE THAN 12" BELOW STRUCTURE.
  - ALL PIPING WHICH REQUIRES RESTRAINT PER THE ABOVE SHALL BE PROVIDED WITH SEISMIC EXPANSION DEVICES.

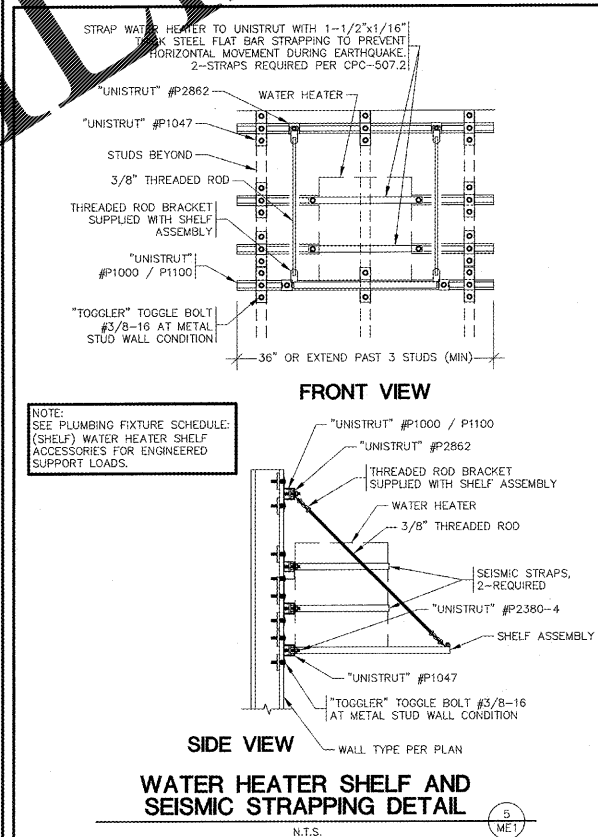


# PLUMBING

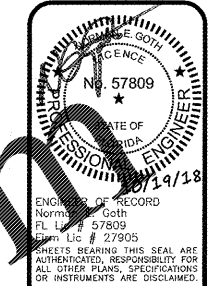
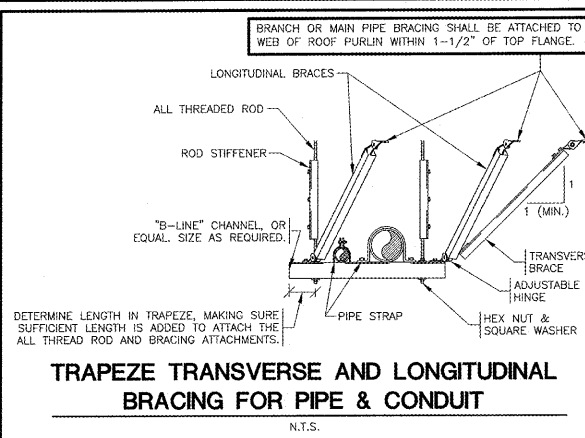
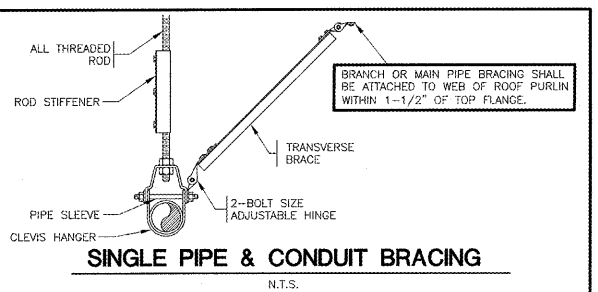
**CONTRACTOR TO REFER TO ARCHITECTURAL SHEET G1.1 FOR SEISMIC DESIGN CATEGORY. SEISMIC RESTRAINTS (ONLY REQUIRED FOR SEISMIC DESIGN CATEGORIES C,D,E,F)**

CONTRACTOR TO PROVIDE SEISMIC BRACING AS REQUIRED BY CODE. IF SEISMIC BRACING IS REQUIRED SEE BRACING DETAILS THIS SHEET.

- ALL PIPING WHICH REQUIRES RESTRAINT SHALL BE PROVIDED WITH SEISMIC EXPANSION DEVICES.
- BRANCH OR MAIN PIPE BRACING SHALL BE ATTACHED TO WEB OF ROOF PURLIN WITHIN 1-1/2" OF TOP FLANGE.
- SEE DETAILS "TRAPEZE TRANSVERSE AND LONGITUDINAL BRACING FOR PIPE & CONDUIT" AND "SINGLE PIPE & CONDUIT BRACING".



## PIPE & CONDUIT BRACING DETAILS



**PROJECT:**  
NEW O'REILLY AUTO PARTS STORE  
463352 S.R. 200  
YULEE, FL 32097

**SEISMIC DETAILS**

**O'Reilly AUTO PARTS**

**CORPORATE OFFICES**  
233 SOUTH PATTERSON  
SPRINGFIELD, MISSOURI 65802  
(417) 862-2674 TELEPHONE

DRAWN BY: **LB** CHECKED BY: **NEG**  
DATE: **10/19/2018**  
REVISION:  
PROJECT NUMBER: **YUL**  
SHEET NUMBER



Order Plans

Order Plans

Order Plans

Order Plans

Order Plans

Order Plans

REPRODUCTION PROHIBITED WITHOUT THE EXPRESSED WRITTEN CONSENT OF THE DESIGN PROFESSIONAL. COPYRIGHT 2018-2019. DESIGNS, DRAWINGS AND SPECIFICATIONS ARE INSTRUMENTS OF SERVICE AND ARE THE PROPERTY OF THE DESIGN PROFESSIONAL.