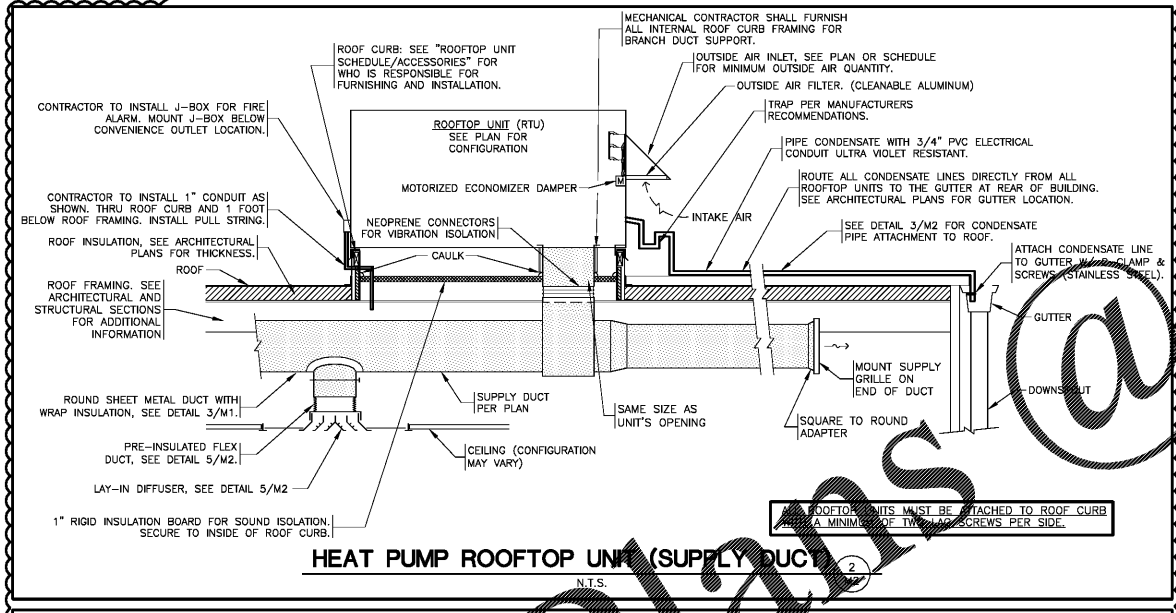
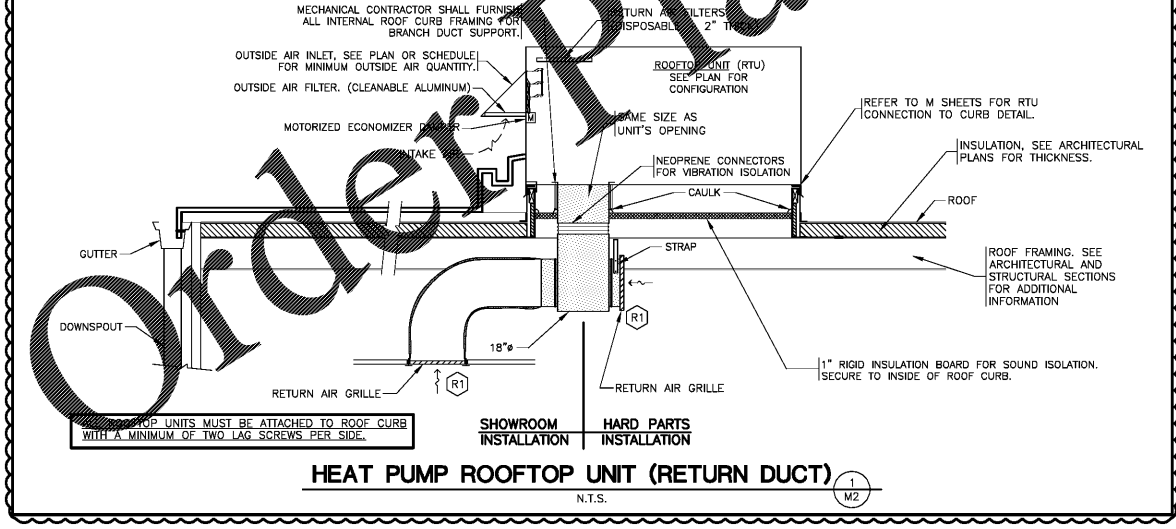


ENERGY CODE SPECIAL																				
NATIONAL ACCOUNT ROOFTOP UNIT SCHEDULE - 7.5 TON - HEAT PUMP (3-PHASE)																				
RTU - RESPONSIBILITIES										CALL THE CARRIER CUSTOMER SERVICE REP. BELOW FOR CONFIRMATION OF ORDERS. DO NOT CALL CARRIER FOR QUOTES!										
1.) ALL CARRIER HVAC UNITS ARE OWNER SUPPLIED BY O'REILLY AUTOMOTIVE. 2.) MECHANICAL CONTRACTOR IS RESPONSIBLE FOR THE INSTALLATION OF ALL CARRIER HVAC UNITS. 3.) MECHANICAL CONTRACTOR IS RESPONSIBLE FOR THE FIRST YEAR LABOR WARRANTY ON ALL OWNER SUPPLIED EQUIPMENT. 4.) MECHANICAL CONTRACTORS WORKING ON O'REILLY PROJECTS MUST CALL "CARRIER CORPORATION'S NATIONAL ACCOUNTS" DEPARTMENT FOR CONFIRMATION OF ORDERS ONLY! 5.) MECHANICAL CONTRACTOR IS RESPONSIBLE FOR SCHEDULING, SHIPPING & RECEIVING OF ALL CARRIER UNITS FROM CARRIER NATIONAL ACCOUNTS. CONTACT CUSTOMER SERVICE REP. LISTED TO THE RIGHT.										CARRIER CORPORATION, STRATEGIC ACCOUNTS CARRIER PARKWAY SYRACUSE, NEW YORK 13221 CUSTOMER SERVICE REPS: MARIA CAMPANELLO 315-432-3946 Maria.campanello@carrier.utc.com StrategicAccounts2@carrier.utc.com ACCOUNT MANAGER: PAUL WITZ CELL 315-317-2461 paul.witz@carrier.utc.com										
MARK	DESCRIPTION	MFR.	CATALOG NUMBER	HTG. MBH IN	HTG. MBH OUT	CLG. MBH TOT./SENS.	TTL. COOL TOT./SENS.	IEER	EER	COP	CFM	O.A.	ESP	HP	MCA	MOCP	Wt. (lbs.)	ACCESSORIES	REMARKS	REF. DETL.
RTU-1 RTU-2	WEATHERMASTER PACKAGED ROOFTOP UNIT 7.5-TON	CARRIER	50HCQ08K205-6U1K0	18.6	63.48	46/34.5	46/34.5	92/69	13.7	12.10	3.50	3000	0.6	1.50	102.3	110*	1172	SEE BELOW	△△△	1/M2 2/M2
ACCESSORIES - FACTORY SUPPLIED AND INSTALLED										ACCESSORIES - FACTORY SUPPLIED & FIELD INSTALLED										
SD - RETURN AIR SMOKE DETECTOR. MB - MEDIUM STATIC BLOWER. (2 SPEED). HG - LOWERED HALL GUARDS. UPO - UN-POWERED CONVENIENCE OUTLET (FIELD POWERED), 15AMP, 120V, GROUND FAULT CIRCUIT INTERRUPTER (GFCI) TYPE. TBE - THRU-THE-BOTTOM-ELECTRIC SERVICE. (SEE ROOF TOP UNIT DETAILS) SS - HI & LOW REFRIGERANT SAFETY SWITCHES. (STANDARD ON EVERY UNIT) AF - 2" RETURN AIR FILTERS. (STANDARD ON EVERY UNIT) VFD - 2 SPEED FAN CONTROLLER (VFD) EC - LOW LEAK DRY BULB ECONOMIZER X, W/BAROMETRIC RELIEF & 7220 HONEYWELL CONTROL. THIS ECONOMIZER & CONTROLLER IS LISTED BY THE ENERGY CODE AND IS EQUIPPED WITH FAULT DETECTION AND DIAGNOSTICS (FDD) CC - COIL COATING (E-COATED CONDENSER AND EVAPORATOR COILS) REQUIRED WHEN WITHIN 5 MILES OF OCEAN.										EH - ELECTRIC RESISTANCE HEATER KIT. (SEE ABOVE FOR SIZE) SPW - SINGLE POINT WIRING KIT. FOR ELECTRIC HEATER. CO2 - CO2 SENSOR, WALL MOUNT. #33ZCSPTC02L00-01 CO2/SPACE TEMPERATURE SENSOR WITH LCD DISPLAY & NO OVERRIDE. RTRS - REMOTE TEST/RESET STATION. CARRIER #SD-TRM4(CRSDET001400) FOR REMOTE TESTING/RESETTING OF DUCT SMOKE DETECTOR. SEE HVAC PLAN FOR MOUNTING LOCATIONS. HSA - ALARM/SIG. CARRIER #6536-05(CRSDHNSB001A00). AUDIBLE/VISUAL SIGNAL DEVICE FOR SIGNALING ALARM OF DUCT SMOKE DETECTOR. SEE HVAC PLAN FOR MOUNTING LOCATIONS.										
ACCESSORIES - O'REILLY SUPPLIED & FIELD INSTALLED										ACCESSORIES - FIELD SUPPLIED & FIELD INSTALLED										
TS1 - GRIDPOINT THERMOSTAT. (NO SUBSTITUTIONS). REFER TO EM SHEETS. DS - NON-FUSED DISCONNECT SWITCH. (GRAYBAR/O'REILLY) SUPPLIED W/ ELECTRICAL BILL OF MATERIALS.										RC1 - ROOF CURB. (12" STANDARD, 14" IN EXTREME SNOW DRIFT AREA'S) ON NEW BUILDING, ROOF CURB IS BY BUILDING MANUFACTURER. ON EXISTING BUILDING, ROOF CURB IS BY GENERAL CONTRACTOR. WEIGHT OF ROOF CURB IS NOT INCLUDED IN THE WEIGHT ABOVE. PPS - PRIMARY PAN SENSOR, AQUAGUARD AG-3180E. (NO SUBSTITUTIONS). SEE CONDENSATE SENSOR INSTALLATION										
REMARKS																				
△ COOLING CAPACITY BASED ON 80°F EDB AND 67°F EWB. HEAT PUMP HEATING CAPACITY BASED ON 47° O.D. & 70° RETURN AIR. △ CAPACITY BASED ON 95°F AMBIENT TEMPERATURE. △ NOTE! HVAC COMPLETION. AT CONSTRUCTION COMPLETION: 1. CONTRACTOR SHALL REPLACE ALL RETURN AIR FILTERS INSIDE ALL HVAC UNITS W/CLEAN NEW AIR FILTERS. 2. CONTRACTOR SHALL SUPPLY AN ADDITIONAL CLEAN SET OF FILTERS TO THE OWNER AT JOB COMPLETION. 3. CONTRACTOR SHALL SHOW THE STORE MANAGER THE LOCATION OF & INSTRUCT HIM/HER HOW TO CHANGE ALL AIR FILTERS.										△ FACTORY EQUIPPED WITH STANDARD LOW AMBIENT COOLING TO 30°F ODB. △ OUTSIDE AIR, SEE PLAN FOR UNIT(S) REQUIRING OUTSIDE AIR. △ REFRIGERANT = R410A (PURON). • MAXIMUM CIRCUIT BREAKER OR TIME-DELAY FUSE.										

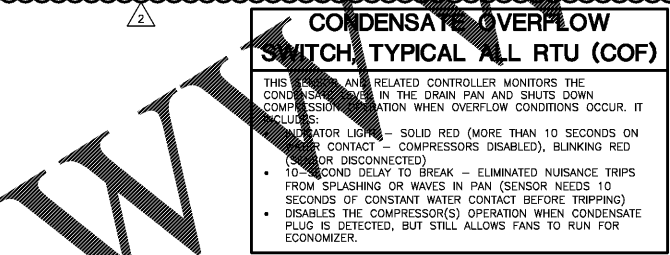
ENERGY CODE SPECIAL																				
NATIONAL ACCOUNT ROOFTOP UNIT SCHEDULE - 5 TON - HEAT PUMP (3-PHASE)																				
RTU - RESPONSIBILITIES										CALL THE CARRIER CUSTOMER SERVICE REP. BELOW FOR CONFIRMATION OF ORDERS. DO NOT CALL CARRIER FOR QUOTES!										
1.) ALL CARRIER HVAC UNITS ARE OWNER SUPPLIED BY O'REILLY AUTOMOTIVE. 2.) MECHANICAL CONTRACTOR IS RESPONSIBLE FOR THE INSTALLATION OF ALL CARRIER HVAC UNITS. 3.) MECHANICAL CONTRACTOR IS RESPONSIBLE FOR THE FIRST YEAR LABOR WARRANTY ON ALL OWNER SUPPLIED EQUIPMENT. 4.) MECHANICAL CONTRACTORS WORKING ON O'REILLY PROJECTS MUST CALL "CARRIER CORPORATION'S NATIONAL ACCOUNTS" DEPARTMENT FOR CONFIRMATION OF ORDERS ONLY! 5.) MECHANICAL CONTRACTOR IS RESPONSIBLE FOR SCHEDULING, SHIPPING & RECEIVING OF ALL CARRIER UNITS FROM CARRIER NATIONAL ACCOUNTS. CONTACT CUSTOMER SERVICE REP. LISTED TO THE RIGHT.										CARRIER CORPORATION, STRATEGIC ACCOUNTS CARRIER PARKWAY SYRACUSE, NEW YORK 13221 CUSTOMER SERVICE REPS: MARIA CAMPANELLO 315-432-3946 Maria.campanello@carrier.utc.com StrategicAccounts2@carrier.utc.com ACCOUNT MANAGER: PAUL WITZ CELL 315-317-2461 paul.witz@carrier.utc.com										
MARK	DESCRIPTION	MFR.	CATALOG NUMBER	HTG. MBH IN	HTG. MBH OUT	CLG. MBH TOT./SENS.	TTL. COOL TOT./SENS.	IEER	EER	HSPF	CFM	O.A.	ESP	HP	MCA	MOCP	Wt. (lbs.)	ACCESSORIES	REMARKS	REF. DETL.
RTU-3 RTU-4	WEATHERMASTER PACKAGED ROOFTOP UNIT 5-TON	CARRIER	50HCQA06K205-6U1D0	12.0	40.96	61.5	47.3	15.00	12.50	8.20	2000	0.6	1.0	70.4	70*	750	SEE BELOW	△△△	1/M2 2/M2	
ACCESSORIES - FACTORY SUPPLIED AND INSTALLED										ACCESSORIES - FACTORY SUPPLIED & FIELD INSTALLED										
SD - RETURN AIR SMOKE DETECTOR. MB - MEDIUM STATIC BLOWER. HG - LOWERED HALL GUARDS. UPO - UN-POWERED CONVENIENCE OUTLET (FIELD POWERED), 15AMP, 120V, GROUND FAULT CIRCUIT INTERRUPTER (GFCI) TYPE. TBE - THRU-THE-BOTTOM-ELECTRIC SERVICE. (SEE ROOF TOP UNIT DETAILS) SS - HI & LOW REFRIGERANT SAFETY SWITCHES. (STANDARD ON EVERY UNIT) AF - 2" RETURN AIR FILTERS. (STANDARD ON EVERY UNIT) EC - LOW LEAK DRY BULB ECONOMIZER X, W/BAROMETRIC RELIEF & 7220 HONEYWELL CONTROL. THIS ECONOMIZER & CONTROLLER IS LISTED BY THE ENERGY CODE AND IS EQUIPPED WITH FAULT DETECTION AND DIAGNOSTICS (FDD) CC - COIL COATING (E-COATED CONDENSER AND EVAPORATOR COILS) REQUIRED WHEN WITHIN 5 MILES OF OCEAN.										EH - ELECTRIC RESISTANCE HEATER KIT. (SEE ABOVE FOR SIZE) SPW - SINGLE POINT WIRING KIT. FOR ELECTRIC HEATER. CO2 - CO2 SENSOR, WALL MOUNT. #33ZCSPTC02L00-01 CO2/SPACE TEMPERATURE SENSOR WITH LCD DISPLAY & NO OVERRIDE. RTRS - REMOTE TEST/RESET STATION. CARRIER #SD-TRM4(CRSDET001400) FOR REMOTE TESTING/RESETTING OF DUCT SMOKE DETECTOR. SEE HVAC PLAN FOR MOUNTING LOCATIONS. HSA - ALARM/SIG. CARRIER #6536-05(CRSDHNSB001A00). AUDIBLE/VISUAL SIGNAL DEVICE FOR SIGNALING ALARM OF DUCT SMOKE DETECTOR. SEE HVAC PLAN FOR MOUNTING LOCATIONS.										
ACCESSORIES - O'REILLY SUPPLIED & FIELD INSTALLED										ACCESSORIES - FIELD SUPPLIED & FIELD INSTALLED										
TS1 - GRIDPOINT THERMOSTAT. (NO SUBSTITUTIONS). REFER TO EM SHEETS. DS - NON-FUSED DISCONNECT SWITCH. (GRAYBAR/O'REILLY) SUPPLIED W/ ELECTRICAL BILL OF MATERIALS.										RC1 - ROOF CURB. (12" STANDARD, 14" IN EXTREME SNOW DRIFT AREA'S) ON NEW BUILDING, ROOF CURB IS BY BUILDING MANUFACTURER. ON EXISTING BUILDING, ROOF CURB IS BY GENERAL CONTRACTOR. WEIGHT OF ROOF CURB IS NOT INCLUDED IN THE WEIGHT ABOVE. PPS - PRIMARY PAN SENSOR, AQUAGUARD AG-3180E. (NO SUBSTITUTIONS). SEE CONDENSATE SENSOR INSTALLATION										
REMARKS																				
△ COOLING CAPACITY BASED ON 80°F EDB AND 67°F EWB. HEAT PUMP HEATING CAPACITY BASED ON 47° O.D. & 70° RETURN AIR. △ CAPACITY BASED ON 95°F AMBIENT TEMPERATURE. △ NOTE! HVAC COMPLETION. AT CONSTRUCTION COMPLETION: 1. CONTRACTOR SHALL REPLACE ALL RETURN AIR FILTERS INSIDE ALL HVAC UNITS W/CLEAN NEW AIR FILTERS. 2. CONTRACTOR SHALL SUPPLY AN ADDITIONAL CLEAN SET OF FILTERS TO THE OWNER AT JOB COMPLETION. 3. CONTRACTOR SHALL SHOW THE STORE MANAGER THE LOCATION OF & INSTRUCT HIM/HER HOW TO CHANGE ALL AIR FILTERS.										△ FACTORY EQUIPPED WITH STANDARD LOW AMBIENT COOLING TO 30°F ODB. △ OUTSIDE AIR, SEE PLAN FOR UNIT(S) REQUIRING OUTSIDE AIR. △ REFRIGERANT = R410A (PURON). • MAXIMUM CIRCUIT BREAKER OR TIME-DELAY FUSE.										



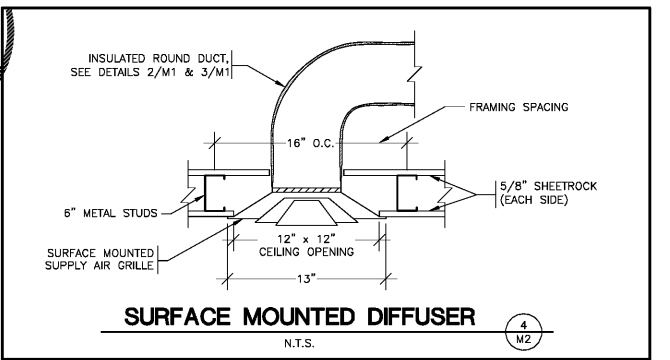
HEAT PUMP ROOFTOP UNIT (SUPPLY DUCT)



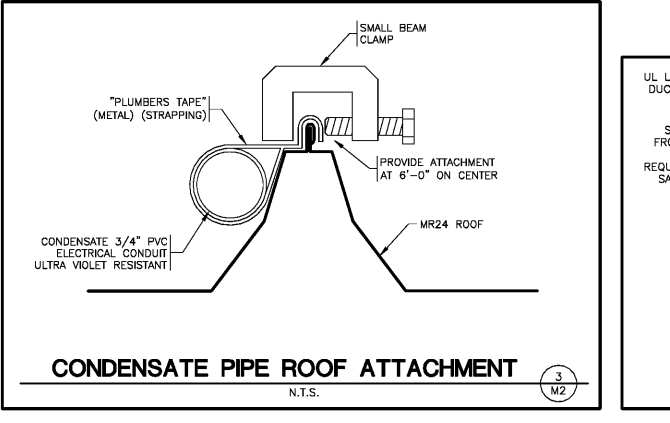
HEAT PUMP ROOFTOP UNIT (RETURN DUCT)



CONDENSATE OVERFLOW SWITCH TYPICAL ALL RTU (COF)



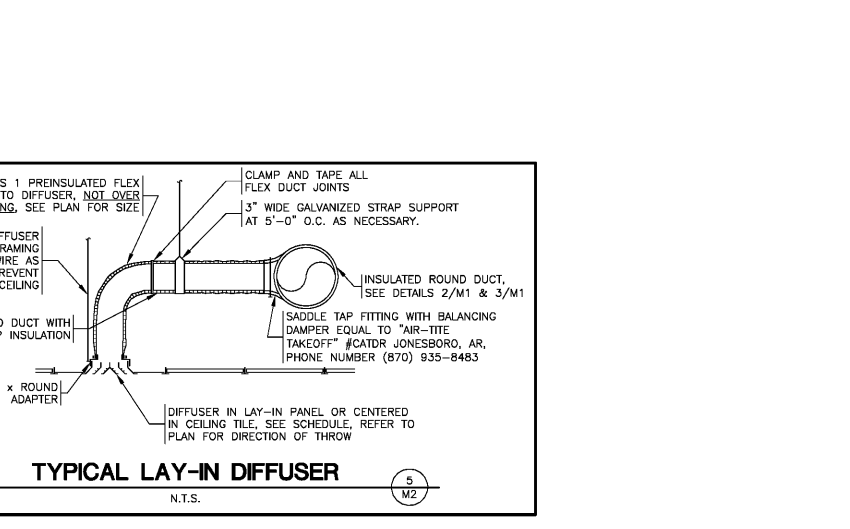
SURFACE MOUNTED DIFFUSER



CONDENSATE PIPE ROOF ATTACHMENT

FAN SCHEDULE												
MARK	DESCRIPTION	MFR.	CATALOG NUMBER	CFM (NOM)	STATIC PRESS.	MOTOR H.P.	V/PH	MCA	MOCP	ACCESSORIES	REMARKS	REF. DETAIL
EF-1	INLINE EXHAUST FAN	COOK	GN-E42	500	0.1	195W	120/1	-	-	BD,DS,WC	△△	-
EF-2	INLINE FAN	COOK	GN-E42	500	0.1	195W	120/1	-	-	BD,DS,SS	△	-
ACCESSORIES												
BD - GRAVITY BACK DRAFT DAMPER DS - DISCONNECT SWITCH WC - WALL CAP, \"COOK\" #WCA-6, ALUMINUM SS - FAN SPEED SWITCH \"COOK\" #FSC (OFFICE ONLY)												
APPROVED ALTERNATE MANUFACTURER'S												
EANS: *GREENHECK *CARNES												
REMARKS												
△ ADJUST FOR CFM REQUIRED. △ EXHAUST FAN SHALL BE WIRED BY THE ELECTRICAL CONTRACTOR TO OPERATE WITH EITHER RESTROOM'S LIGHT SWITCH. △ FAN IN OFFICE TO BE CONTROLLED BY FAN SPEED SWITCH.												

GRILLE AND DIFFUSER SCHEDULE											
MARK	DESCRIPTION	MFR.	CATALOG NUMBER	SIZE (in.)	FINISH	MOUNTING	BRANCH DUCT SIZE	ACCESSORIES	REMARKS	REF. DETAIL	
Ⓞ	SUPPLY GRILLE	ANEMOSTAT	S2H0	14x14	WHITE	DUCT	SEE PLAN	OB	△	-	
Ⓢ	SUPPLY DIFFUSER	ANEMOSTAT	E-1-D	12x12	WHITE	SURFACE	SEE PLAN	DT	△△	4/M2	
Ⓢ	SUPPLY DIFFUSER	ANEMOSTAT	EPL	24x24	WHITE	DUCT/LAY-IN	SEE PLAN	-	△	5/M2	
Ⓡ	RETURN GRILLE	ANEMOSTAT	GCS	24x24	WHITE	LAY-IN/EXPOSED	SEE PLAN	-	NON-FILTERED GRILLE	5/M2	
Ⓡ	RETURN GRILLE	ANEMOSTAT	GCS	12x12	WHITE	SURFACE	SEE PLAN	-	NON-FILTERED GRILLE	4/M2	
Ⓡ	EXHAUST GRILLE	ANEMOSTAT	S3HS	12x12	WHITE	CEILING	SEE PLAN	OB	-	-	
ACCESSORIES											
OB - OPPOSED BLADE DAMPER. DT - DIRECTIONAL TABS.											
REMARKS											
△ 1-WAY △ 4-WAY △ DIRECTIONAL TABS, ADJUST TO PROVIDE THROW AS INDICATED ON PLANS.											
APPROVED ALTERNATE MANUFACTURER'S											
GRILLES, DIFFUSERS & DAMPERS: *TUTTLE & BAILEY *NAILOR *ARROW *CARNES *PRICE INDUSTRIES *TITUS *KRUEGER											



TYPICAL LAY-IN DIFFUSER

SMITH-GOTH ENGINEERS, INC.
 3885 S. JEFFERSON AVE. #117-888-2820
 SPRINGFIELD, MA 01104
 PL. 417-888-2820
 WWW.SMITHGO.COM

PROJECT:
 NEW O'REILLY AUTO PARTS STORE
 463352 S.R. 200
 YULEE, FL 32097

HVAC SCHEDULES

O'Reilly AUTO PARTS
 CORPORATE OFFICES
 238 SOUTH PATTERSON
 SPRINGFIELD, MISSOURI 65802
 (417) 888-6874 TELEPHONE

DRAWN BY: **LB** CHECKED BY: **NEG**
 DATE: **10/19/2018**
 REVISION: **ADD002 11/20/18**
 PROJECT NUMBER: **YUL**
 SHEET NUMBER: **M2**

© COPYRIGHT 2018-2019 DESIGNS, DRAWINGS AND SPECIFICATIONS ARE INSTRUMENTS OF SERVICE AND ARE THE PROPERTY OF THE DESIGN PROFESSIONAL. REPRODUCTION PROHIBITED WITHOUT THE EXPRESSED WRITTEN CONSENT OF THE DESIGN PROFESSIONAL.