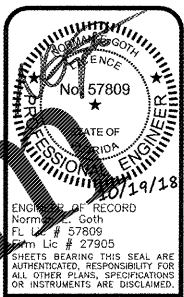
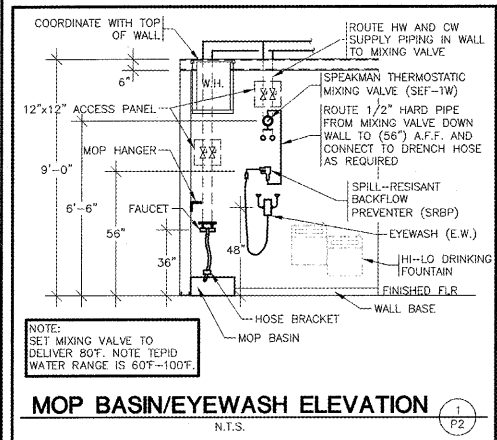
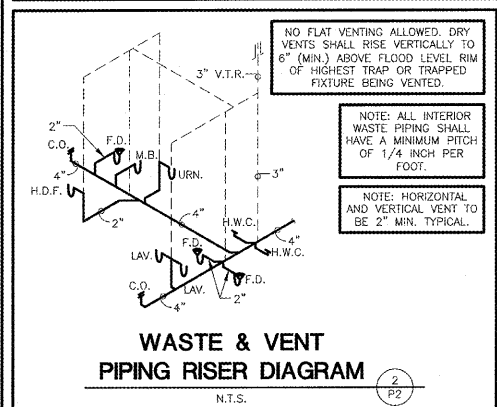
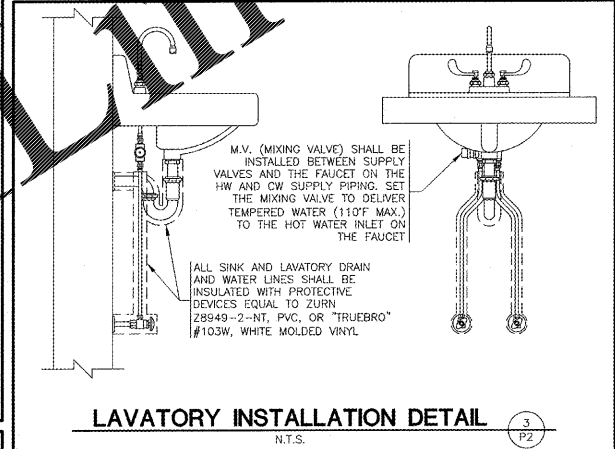
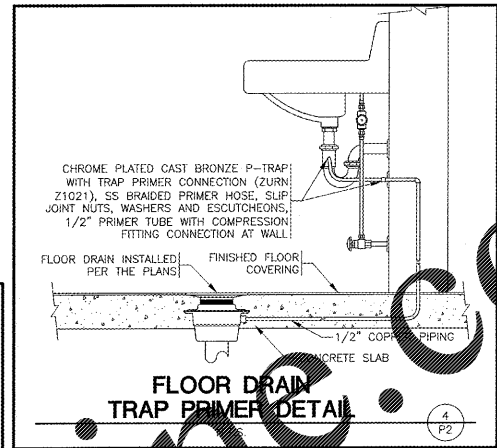
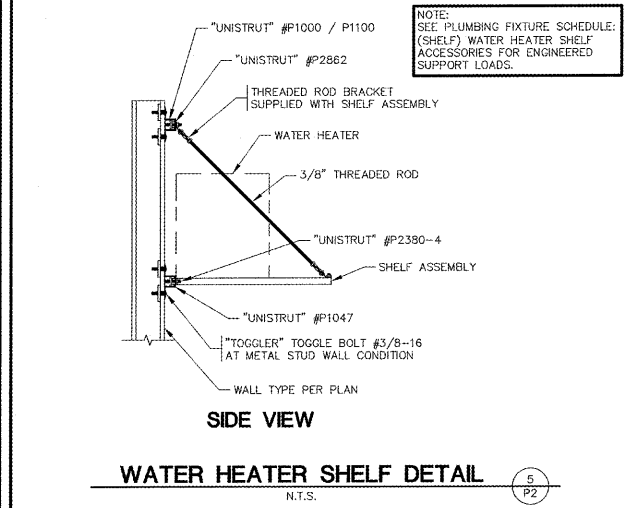
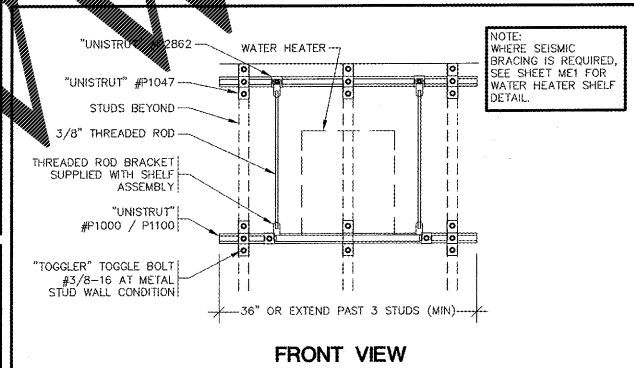
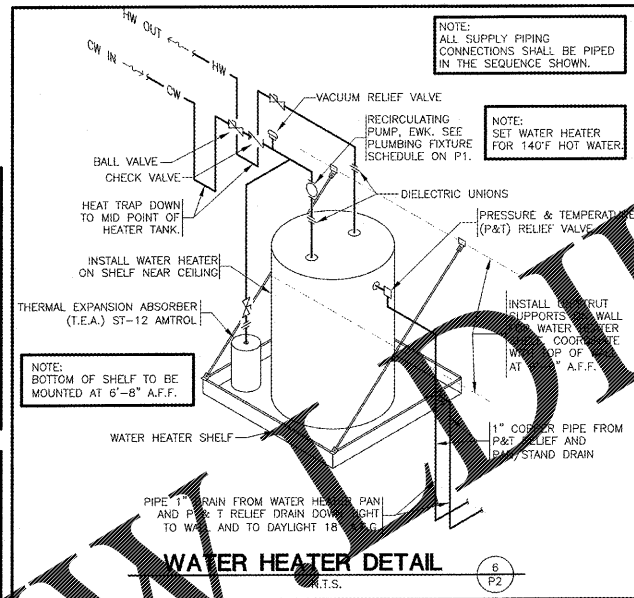
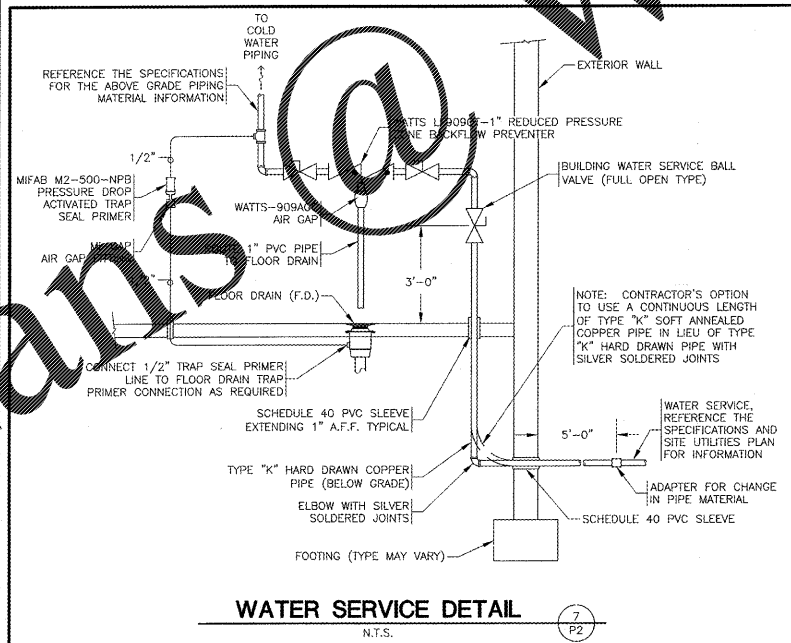
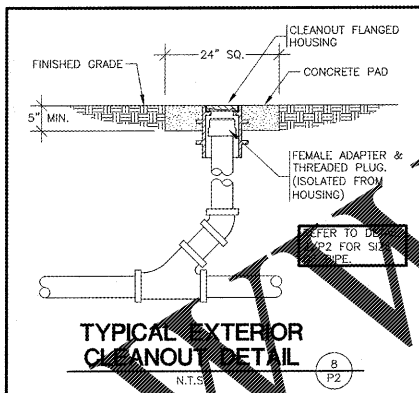


Order Plans

PLUMBING CALCULATIONS

FIXTURE	QUANTITY	TOTAL-SFU	TOTAL	TOTAL-HW	TOTAL	DFU	TOTAL
W.C. (TANK)	2	5	10	0	0	4	8
URN. (URINAL)	1	5	5	0	0	4	4
LAV. (LAVATORY)	2	2	4	1.5	3.00	2	4
M.B. (MOP BASIN)	1	3	3	1.5	1.50	2	2
H.D.F. (FOUNTAIN)	1	0.25	0.25	0	0	0.5	0.50
H.B. (HOSE BIBB)	2	3	6	0	0	0	0
TOTAL		28.25	TOTAL	4.50	TOTAL	18.50	
TOTAL CW GPM	20		AVERAGE DAILY FLOW = 125 gal/DAY				
COLD WATER SERVICE SIZE	1"						



SMITH-BOOTH ENGINEERS, INC.
233 SOUTH PATTERSON
SPRINGFIELD, MISSOURI 65802
(417) 862-2874 TELEPHONE

PROJECT:
NEW O'REILLY AUTO PARTS STORE
463352 S.R. 200
YULEE, FL 32097

O'Reilly AUTO PARTS
CORPORATE OFFICES
233 SOUTH PATTERSON
SPRINGFIELD, MISSOURI 65802
(417) 862-2874 TELEPHONE

DRAWN BY: **LB**
CHECKED BY: **NEG**
DATE: **10/19/2018**
REVISION:
PROJECT NUMBER: **YUL**
SHEET NUMBER: **P2**