

STEEL SQUARE POLES

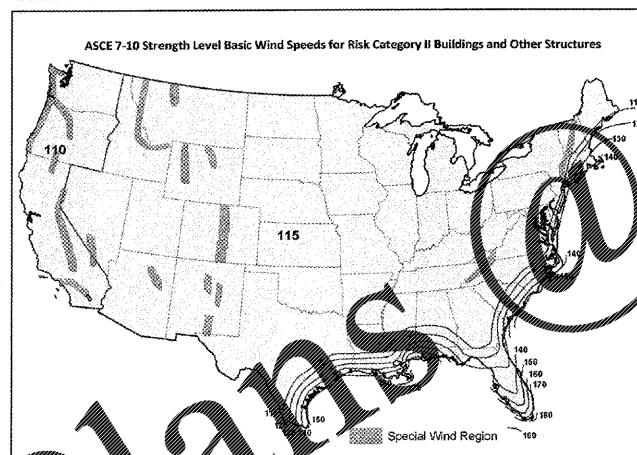
Use ONLY with "Wind Speed Map for ASCE7-10"

STEEL SQUARE POLES - ASCE7-10	110 MPH	115 MPH	120 MPH	130 MPH	140 MPH	150 MPH	160 MPH	170 MPH	180 MPH	Bolt Circle
4" x 4" x 1/4"	12.5	11.5	10.2	8.5	6.8	5.8	4.9	4.1	3.6	B
4" x 4" x 1/2"	9.8	8.6	7.9	6.5	5.4	4.4	3.5	2.9	2.2	B
4" x 4" x 3/4"	8.1	7.4	6.7	5.4	4.2	3.4	2.8	2.2	1.7	B
4" x 4" x 1"	7.1	6.3	5.6	4.4	3.4	2.7	2.1	1.6	1.1	B
4" x 4" x 1 1/4"	6.3	5.6	5.0	3.9	2.9	2.3	1.8	1.3	0.9	B
4" x 4" x 1 1/2"	5.6	4.9	4.3	3.2	2.3	1.8	1.3	0.9	0.6	B
4" x 4" x 1 3/4"	5.0	4.3	3.7	2.7	1.9	1.4	1.0	0.7	0.5	B
4" x 4" x 2"	4.5	3.8	3.2	2.3	1.6	1.2	0.8	0.6	0.4	B
4" x 4" x 2 1/4"	4.1	3.4	2.8	2.0	1.4	1.0	0.7	0.5	0.3	B
4" x 4" x 2 1/2"	3.7	3.0	2.4	1.7	1.2	0.8	0.6	0.4	0.3	B
4" x 4" x 2 3/4"	3.4	2.7	2.1	1.5	1.0	0.7	0.5	0.3	0.2	B
4" x 4" x 3"	3.1	2.4	1.8	1.3	0.9	0.6	0.4	0.3	0.2	B
4" x 4" x 3 1/4"	2.8	2.1	1.5	1.1	0.7	0.5	0.3	0.2	0.1	B
4" x 4" x 3 1/2"	2.5	1.8	1.3	0.9	0.6	0.4	0.3	0.2	0.1	B
4" x 4" x 3 3/4"	2.2	1.5	1.1	0.8	0.5	0.3	0.2	0.1	0.1	B
4" x 4" x 4"	2.0	1.4	1.0	0.7	0.5	0.3	0.2	0.1	0.1	B
4" x 4" x 4 1/4"	1.8	1.3	0.9	0.6	0.4	0.3	0.2	0.1	0.1	B
4" x 4" x 4 1/2"	1.6	1.1	0.8	0.5	0.3	0.2	0.1	0.1	0.1	B
4" x 4" x 4 3/4"	1.4	1.0	0.7	0.5	0.3	0.2	0.1	0.1	0.1	B
4" x 4" x 5"	1.2	0.9	0.6	0.4	0.3	0.2	0.1	0.1	0.1	B
4" x 4" x 5 1/4"	1.1	0.8	0.6	0.4	0.3	0.2	0.1	0.1	0.1	B
4" x 4" x 5 1/2"	1.0	0.7	0.5	0.4	0.3	0.2	0.1	0.1	0.1	B
4" x 4" x 5 3/4"	0.9	0.6	0.4	0.3	0.2	0.1	0.1	0.1	0.1	B
4" x 4" x 6"	0.8	0.5	0.4	0.3	0.2	0.1	0.1	0.1	0.1	B
4" x 4" x 6 1/4"	0.7	0.5	0.3	0.2	0.1	0.1	0.1	0.1	0.1	B
4" x 4" x 6 1/2"	0.6	0.4	0.3	0.2	0.1	0.1	0.1	0.1	0.1	B
4" x 4" x 6 3/4"	0.5	0.4	0.3	0.2	0.1	0.1	0.1	0.1	0.1	B
4" x 4" x 7"	0.4	0.3	0.2	0.1	0.1	0.1	0.1	0.1	0.1	B
4" x 4" x 7 1/4"	0.3	0.2	0.1	0.1	0.1	0.1	0.1	0.1	0.1	B
4" x 4" x 7 1/2"	0.2	0.1	0.1	0.1	0.1	0.1	0.1	0.1	0.1	B
4" x 4" x 7 3/4"	0.1	0.1	0.1	0.1	0.1	0.1	0.1	0.1	0.1	B
4" x 4" x 8"	0.1	0.1	0.1	0.1	0.1	0.1	0.1	0.1	0.1	B

LSI Industries' poles are guaranteed to meet the EPA requirements listed. LSI Industries is not responsible if a pole order has a lower EPA rating than the indicated wind loading zone where the pole will be located. **CAUTION:** This guarantee does not apply if the pole/truss/fixture combination is used to support any other items such as signs, permits, or signs, which would add stress to the pole. LSI Industries cannot accept responsibility for harm or damage caused in these situations.

Project Name _____ Fixture Type _____ 11/2017
 Catalog # _____ LSI INDUSTRIES, INC.

WINDSPEED MAP FOR ASCE7-10



Wind Speed Map and the EPA's Hazardous Waste Site (HWS) ASCE 7-10. Please inform LSI if your local code requirements differ; LSI can supply calculations for your requirements.

1. Contours are the fastest-mile speeds at 33 ft. (10 m) above ground for exposure Category 2.
2. Interpolation between wind speed contours is acceptable.
3. In applying this map to determine EPA readings, always use high end of range.
4. Local code EPA values are based on wind pressure and forces specified in ANSI/ASCE 7-10.
5. Local code may require wind speeds other than those shown on map.

All LSI Industries' poles are guaranteed to meet the EPA requirements listed. Pole manufacturer is not responsible if a pole order has a lower EPA rating than the indicated wind-loading zone where the pole will be located. **CAUTION:** This guarantee does not apply if the pole/truss/fixture combination is used to support any other items such as signs, permits, or signs, which would add stress to the pole. LSI Industries cannot accept responsibility for harm or damage caused in these situations.

Project Name _____ Fixture Type _____ 4/2017
 Catalog # _____ LSI INDUSTRIES, INC.

STEEL SQUARE POLES

POLE ORDERING INFORMATION

TYPICAL ORDER EXAMPLE: **5SQB5 S07G 24 S P L P S F D G P**

Pole Section	Material	Height	Mounting Configuration	Pole Finish	Options
Below Main Mount	011G - 11 Ga. Steel S07G - 07 Ga. Steel	14 16 18 20 22 24 26 28 30	S - Single Pole D180° - Double D360° - Double D180° - Double T180° - Triple O180° - Quad S07 - Tension Mount (Standard tension size is 2-3/8" O.D.)	BLK - Black PLP - Polymon Plus WHT - White MSV - Metal Verts (Green) CPT - Coatable MSV - Metallic Silver	04 - Galvanized Anchor Bolts SF - Single Flood DF - Double Flood DOP - Double Plus LAP - Less Anchor Bolts OCP - Pole preparation for PM5V Occupancy Sensor*

Tension Mount - See pole selection guide for tension and anchor/bolts matches.
ASB
SSB
OSB

No Mounting Holes - Use with:
 • BKA HSE & BKA SSF
 • BKA HSP & BKA SSF

Internal Slip-Other*
OSB
SSB

Consult Pole Selection Chart on opposite page

Standard SF and DF pole preparations are located 3/4 of the height of the pole from the base, unless otherwise specified.

ACCESSORY ORDERING INFORMATION (Accessories are sold separately)

Description	Order Number	Order Number
4SC - 4" Square Base Cover	172620.R	Visitation Ramp - 4" Square Pole (bolt on mount only)
5SC - 5" Square Base Cover	172620.R	Visitation Ramp - 5" Square Pole (bolt on mount only)
6SC - 6" Square Base Cover	172620.R	Visitation Ramp - 6" Square Pole (bolt on mount only)
WPC - Weatherproof Weather Protection	172620.R	PM5V 120 - 120V Occupancy Sensor
CP - Ground Fault Circuit Interrupter	172620.R	PM5V 220V - 220V Occupancy Sensor
MSV - Mounting Hole Material (2" Dia) 1/4" Thick	340123	PM5V 220V - 220V Occupancy Sensor
MSV - Mounting Hole Material (2" Dia) 1/4" Thick	340123	PM5V 220V - 220V Occupancy Sensor

NOTES:
 1 - See Area Lighting Brackets 3" Round Drill Pattern and Area Lighting Brackets - Bolt on 5" Traditional Drill
 2 - Pole heights will have a 1" tolerance.
 3 - See Flood Lighting Brackets section for choices of LED brackets.
 4 - Order PM5V assembly. Change "D" to indicate height and side of pole location for area preparation. See LSI568 for details on preparation. To be left up from pole base on top of 1" Cuplock distance from ground to sensor is 3".
 5 - OSBX option required. Not for use with Metal Hubs Bolts.

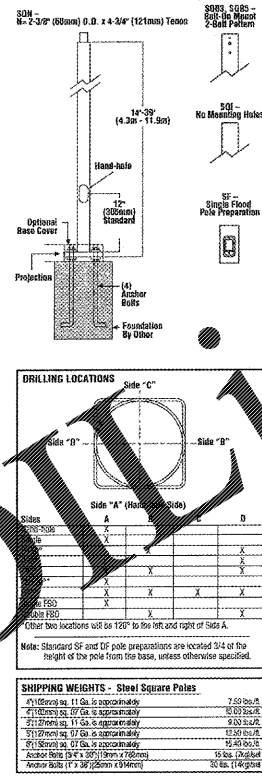
BOLT CIRCLE

	4" (102mm) square 10-1/8" (267mm) sq.	5" (127mm) square 10-1/2" (267mm) sq.	6" (152mm) square 10-1/2" (267mm) sq.	8" (203mm) square 12" (305mm) sq.
Bolt Circle	8" (203mm)	9" (228mm)	9" (228mm)	12" (305mm)
Anchor Bolt Size	3/4" x 3/4" (19mm x 19mm)	3/4" x 3/4" (19mm x 19mm)	3/4" x 3/4" (19mm x 19mm)	1" x 3/4" (25mm x 19mm)
Anchor Bolt Projection	5-1/4" (137mm)	5-1/4" (137mm)	5-1/4" (137mm)	7" (178mm)
Base Plate Spacing for Windonly Only	3-5/8" (93mm)	4-5/8" (119mm)	4-5/8" (119mm)	5-3/8" (138mm)
Base Plate Dimensions	10-1/8" sq. x 3/8" thick (267mm x 19mm)	10-1/2" sq. x 3/8" thick (267mm x 19mm)	10-1/2" sq. x 3/8" thick (267mm x 19mm)	12" x 12" sq. x 3/8" thick (305mm x 305mm x 19mm)

Note: Base plate illustrations may change without notice. Do not use for setting anchor bolts. Consult base plate manufacturer.

STEEL SQUARE POLES

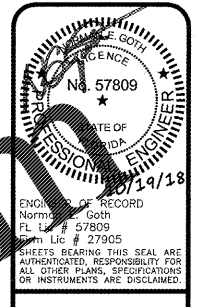
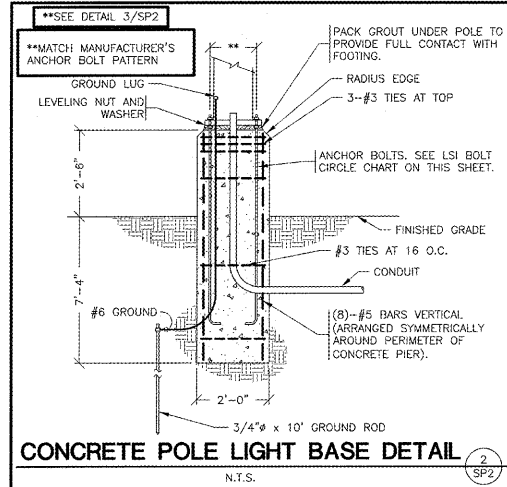
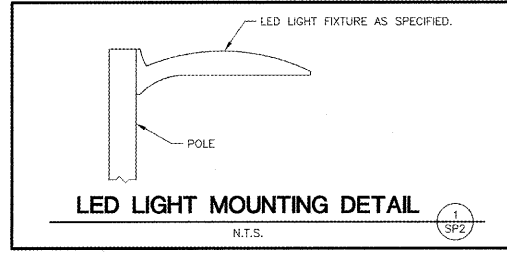
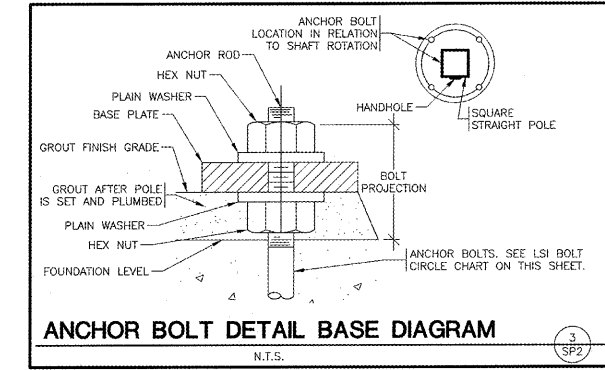
DIMENSIONS



SHIPPING WEIGHTS - Steel Square Poles

4" (102mm) sq. (11 Ga. is approximately)	7.00 lbs.
4" (102mm) sq. (12 Ga. is approximately)	6.50 lbs.
5" (127mm) sq. (11 Ga. is approximately)	8.00 lbs.
5" (127mm) sq. (12 Ga. is approximately)	7.50 lbs.
6" (152mm) sq. (11 Ga. is approximately)	10.00 lbs.
6" (152mm) sq. (12 Ga. is approximately)	9.50 lbs.
8" (203mm) sq. (11 Ga. is approximately)	14.00 lbs.
8" (203mm) sq. (12 Ga. is approximately)	13.50 lbs.

Project Name _____ Fixture Type _____ 11/2017
 Catalog # _____ LSI INDUSTRIES, INC.



PROJECT: NEW O'REILLY AUTO PARTS STORE
 463352 S.R. 200
 YULEE, FL 32097
SITE LIGHTING DETAILS

O'Reilly AUTO PARTS
 CORPORATE OFFICES
 233 SOUTH PATTERSON
 SPRINGFIELD, MISSOURI 65802
 (417) 862-2674 TELEPHONE

DRAWN BY: LB CHECKED BY: NEG
 DATE: 10/19/2018
 REVISION:
 PROJECT NUMBER: YUL
 SHEET NUMBER: SP2

Order Plans

WWW.LSDRAWING.COM