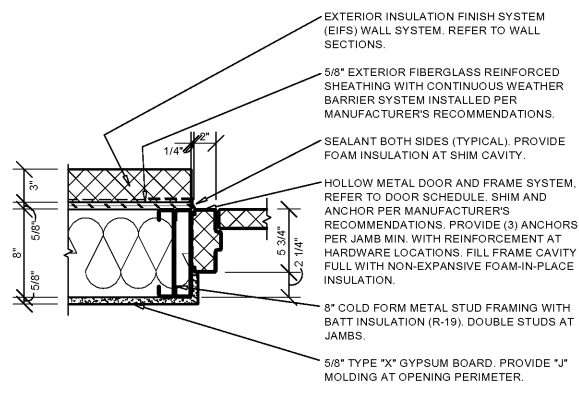


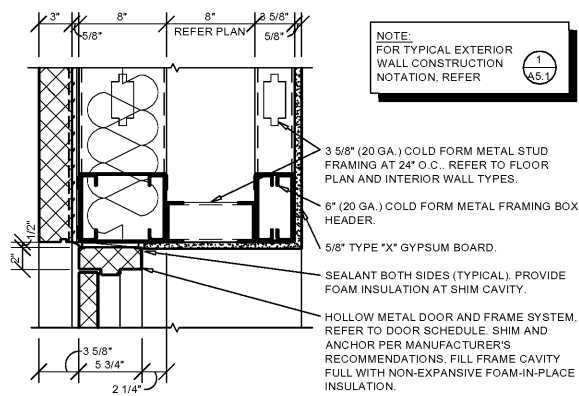
1 HEAD DETAIL

A5.1 SCALE: 1 1/2" = 1'-0"



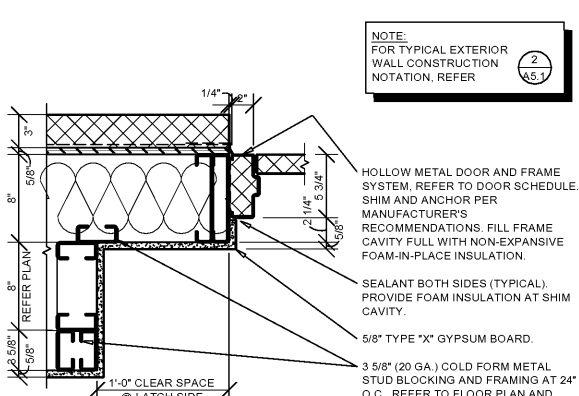
2 JAMB DETAIL

A5.1 SCALE: 1 1/2" = 1'-0"



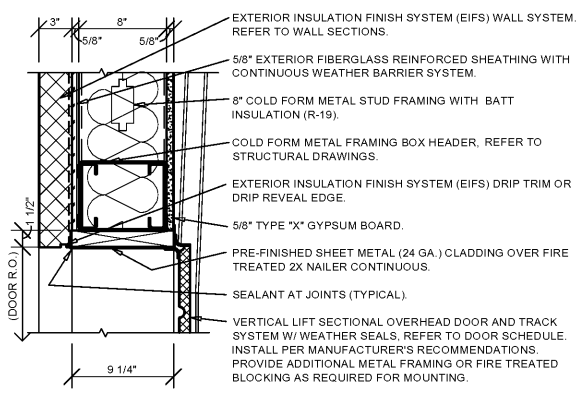
3 HEAD DETAIL

A5.1 SCALE: 1 1/2" = 1'-0"



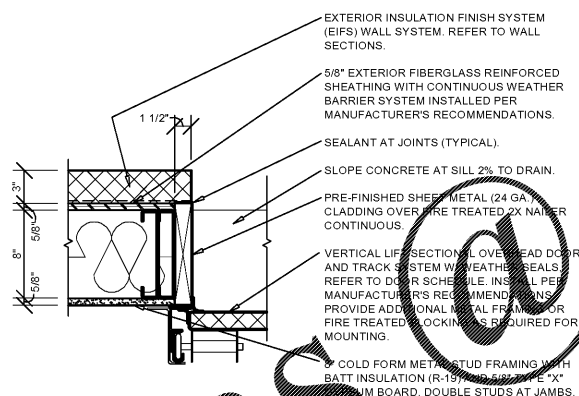
4 JAMB DETAIL

A5.1 SCALE: 1 1/2" = 1'-0"



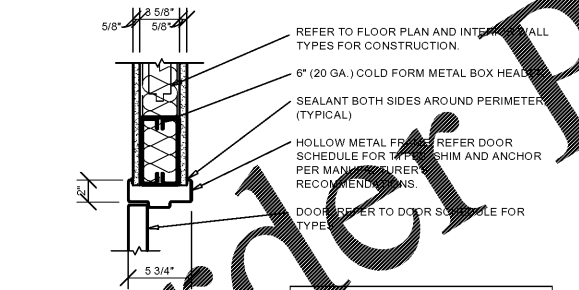
5 HEAD DETAIL

A5.1 SCALE: 1 1/2" = 1'-0"



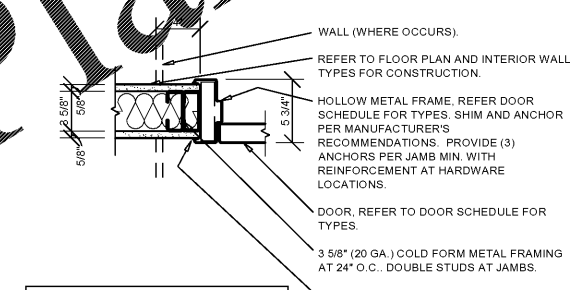
6 JAMB DETAIL

A5.1 SCALE: 1 1/2" = 1'-0"



7 HEAD DETAIL

A5.1 SCALE: 1 1/2" = 1'-0"



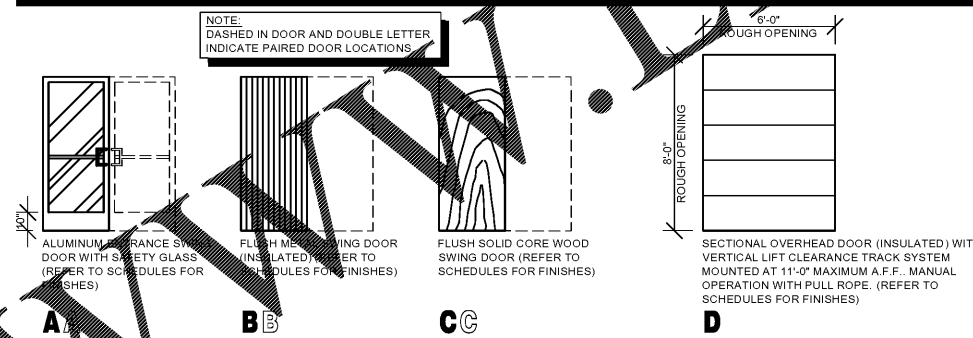
8 JAMB DETAIL

A5.1 SCALE: 1 1/2" = 1'-0"

MK	DOOR				DOOR HARDWARE			FRAME			DETAILS				FIRE RATING	REMARKS (REFER NOTES)
	SIZE (W x H x D)	TYPE	SWING	MATERIAL	GLAZ. TYPE	SET #	KEYED	TYPE	MATERIAL	HEAD WIDTH	HEAD	JAMB	SILL			
1	3'-0" X 7'-0" X 1-3/4"	A	REFER TO FLOOR PLAN	ALUMINUM	1	1	A	1	ALUMINUM		4/A5.2	4/A5.2	5/A5.2		1, 2	
2	3'-0" X 7'-0" X 1-3/4"	B	REFER TO FLOOR PLAN	INSULATED METAL		2	A	2	INSULATED METAL		1/A5.1	2/A5.1	5/A5.2 SIM		1, 2, 3	
3	6'-0" X 8'-0"	D	SECTIONAL OVERHEAD	INSULATED METAL		3			MANUFACTURER'S STANDARDS		5/A5.1	6/A5.1			1	
4	3'-0" X 7'-0" X 1-3/4"	C	REFER TO FLOOR PLAN	SOLID WOOD		4		2	HOLLOW METAL		7/A5.1	8/A5.1			1, 4	
5	3'-0" X 7'-0" X 1-3/4"	C	REFER TO FLOOR PLAN	SOLID WOOD		5		2	HOLLOW METAL		7/A5.1	8/A5.1			1, 4	
6	3'-0" X 7'-0" X 1-3/4"	C	REFER TO FLOOR PLAN	SOLID WOOD		5		2	HOLLOW METAL		7/A5.1	8/A5.1			1, 4	
7	3'-0" X 7'-0" X 1-3/4"	B	REFER TO FLOOR PLAN	INSULATED METAL		6		2	INSULATED METAL		3/A5.1	4/A5.1	5/A5.2 SIM		1, 3	

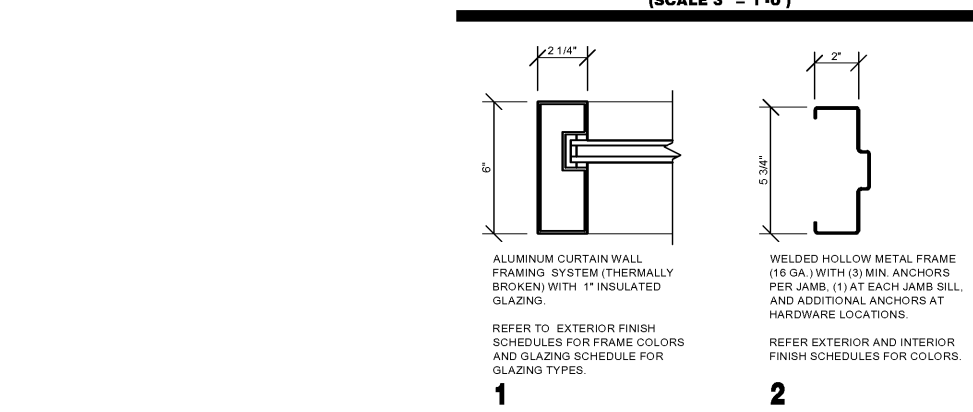
DOOR TYPES

(SCALE 1/4" = 1'-0")



FRAME TYPES

(SCALE 3" = 1'-0")



DOOR HARDWARE SCHEDULE

HARDWARE NOTES:

- ALL HARDWARE TO BE ADA AND ANSI COMPLIANT.
- VERIFY COMPATIBILITY OF HARDWARE SPECIFIED. NOTIFY ARCHITECT OF INCOMPATIBILITY ISSUES PRIOR TO ORDERING AND INSTALLATION.

SET NO. 1 (DR. 1)

- CYLINDER: 20-062 X 626 - "E" KEYWAY (REMOVABLE CORE)..... SCHLAGE

(FOLLOWING REQUIRED HARDWARE FURNISHED WITH WINDOW FRAMING SYSTEM)

- PAIR OFFSET PIVOTS: 195/185 X 628..... RIGID
- DEADLOCK: MS18505 X 628..... ADAMS
- DEADLOCK LEVER: 4550 X 628..... ADAMS
- STRIKE: MS4002 X 628..... ADAMS
- SET PUSH/PULLS: 86-151 ULTRALINE W/ OFFSET PULL..... PECO
- CLOSER: 4041-3077-187J-TB X 689 (ADJ. TO 8.5 LBS.)..... HAGER
- SET PERIMETER GASKETS: POLYMERIC BULB X LENGTH REQUIRED..... SCHLEGEL
- SWEEP: 345AP X LENGTH REQUIRED..... PEMKO
- THRESHOLD: 270A X LENGTH REQUIRED (OFFSET PIVOT COMPATIBLE) (ANSI & ADA COMPLIANT)..... PEMKO

SET NO. 2 (DR. 2)

- CONTINUOUS HINGE: 780-112 X LENGTH REQUIRED..... HAGER
- CYLINDER: 20-057 "E" KEYWAY (REMOVABLE CORE)..... SCHLAGE
- PROVIDE (2) SECURITY KEYS (CORE KEY) BITTED..... SCHLAGE
- EXIT PANIC: 9300B X 626 X 689 (ADJ. TO 8.5 LBS.) (THROUGH SEX BOLT MOUNTING)..... DORMA
- CLOSER: 8616 X 8" X 34" X 630..... HAGER
- STRONG SEALS: 1" MOUNT (ADJ. TO 8.5 LBS.)..... DORMA
- SET PERIMETER GASKETS: QEBD-500 X LENGTH REQUIRED..... SCHLEGEL
- LATCH GUARD: LG 300 X 626 (STRAIGHT W/ PIN AND SEX BOLTS)..... LATCHGUARD
- DOOR VIEWER: 295 - 190 X 626..... IVES
- KICK PLATE: 305 X 8" X 34" X 630..... HAGER
- DOOR BOTTOM SEAL: 31321 X LENGTH REQUIRED..... GLOBAL
- THRESHOLD: 31206 X LENGTH REQUIRED..... GLOBAL

SET NO. 3 (DR. 3)

- REQUIRED HARDWARE FURNISHED WITH OVERHEAD DOOR SYSTEM (LOCKING FROM INSIDE ONLY)

SET NO. 4 (DR. 4)

- HINGES: BB1279 X 4 1/2" X 4 1/2" X 626..... HAGER
- OFFICE LOCK: AU5307LN X 626..... YALE
- WALL BUMPER: 409 X 626..... ROCKWOOD

SET NO. 5 (DR. 5, 6)

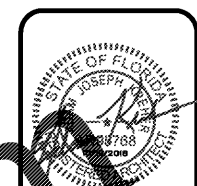
- HINGES: BB1279 X 4 1/2" X 4 1/2" X 626..... HAGER
- PRIVACY LOCK: AU5302LN X 626..... YALE
- WALL BUMPER: 409 X 626..... ROCKWOOD

SET NO. 6 (DR. 7)

- HINGES: ECB1100 X 4 1/2" X 4 1/2" X 626 X NRP..... HAGER
- EXIT ONLY PANIC LOCK: 8300B X 486 X 689..... DORMA
- CLOSER: 5300MLT X 689 (ADJ. TO 8.5 LBS.)..... HAGER
- STRONG SEALS: 1" MOUNT (ADJ. TO 8.5 LBS.) (THROUGH SEX BOLT MOUNTING)..... SCHLEGEL
- SET PERIMETER GASKETS: QEBD-500 X LENGTH REQUIRED..... SCHLEGEL
- LATCH GUARD: LG1002SF X 626 (STRAIGHT W/ PIN W/ SEX BOLTS)..... LATCHGUARD
- DOOR BOTTOM SEAL: 31321 X LENGTH REQUIRED..... GLOBAL
- THRESHOLD: 31206 X LENGTH REQUIRED..... GLOBAL

GENERAL NOTES

- (A) REFER TO PROJECT MANUAL FOR ADDITIONAL REQUIREMENTS.
- (B) REFER TO BUILDING CODE SUMMARY FOR PROJECT STRUCTURAL DESIGN CRITERIA. DOOR FRAMING AND ANCHORING SYSTEMS SHALL BE DESIGNED BY MANUFACTURER TO CONFORM TO PERFORMANCE AND TESTING REQUIREMENTS SPECIFIED.
- (C) REFER TO FLOOR PLAN, ELEVATIONS, AND SECTIONS FOR ADDITIONAL REQUIREMENTS.
- (D) REFER TO EXTERIOR AND INTERIOR FINISH SCHEDULES FOR COLORS. PERIMETER SEALANT COLOR TO MATCH FRAME COLOR UNLESS OTHERWISE INDICATED.



PROJECT OF RECORD
ADAM KREHER
 ARCHITECT LICENSE NUMBER
 A198766

SHEETS BEARING THIS SEAL ARE AUTHENTICATED. RESPONSIBILITY FOR ALL OTHER PLANS, SPECIFICATIONS OR INSTRUMENTS ARE DISCLAIMED.

116 N. 2ND AVENUE
 OZARK, MO 65721
 P (417) 581-8889
 F (417) 581-9002



DESIGN PARTNERS

PROJECT:
 NEW O'REILLY AUTO PARTS STORE
 463352 SR 200
 YULEE, FL 32097

DOOR SCHEDULE

O'Reilly AUTO PARTS

CORPORATE OFFICES
 233 SOUTH PATTERSON
 SPRINGFIELD, MISSOURI 65802
 (417) 882-6774 TELEPHONE

DRAWN BY: NO
 CHECKED BY: KR
 DATE: 10/19/2018
 REVISION:
 PROJECT NUMBER: 18155-YUL
 SHEET NUMBER

A5.1

COPYRIGHT 2016 I DESIGNS. DRAWINGS AND SPECIFICATIONS ARE INSTRUMENTS OF SERVICE AND ARE THE PROPERTY OF THE DESIGN PROFESSIONAL. REPRODUCTION PROHIBITED WITHOUT THE EXPRESSED WRITTEN CONSENT OF THE DESIGN PROFESSIONAL.