

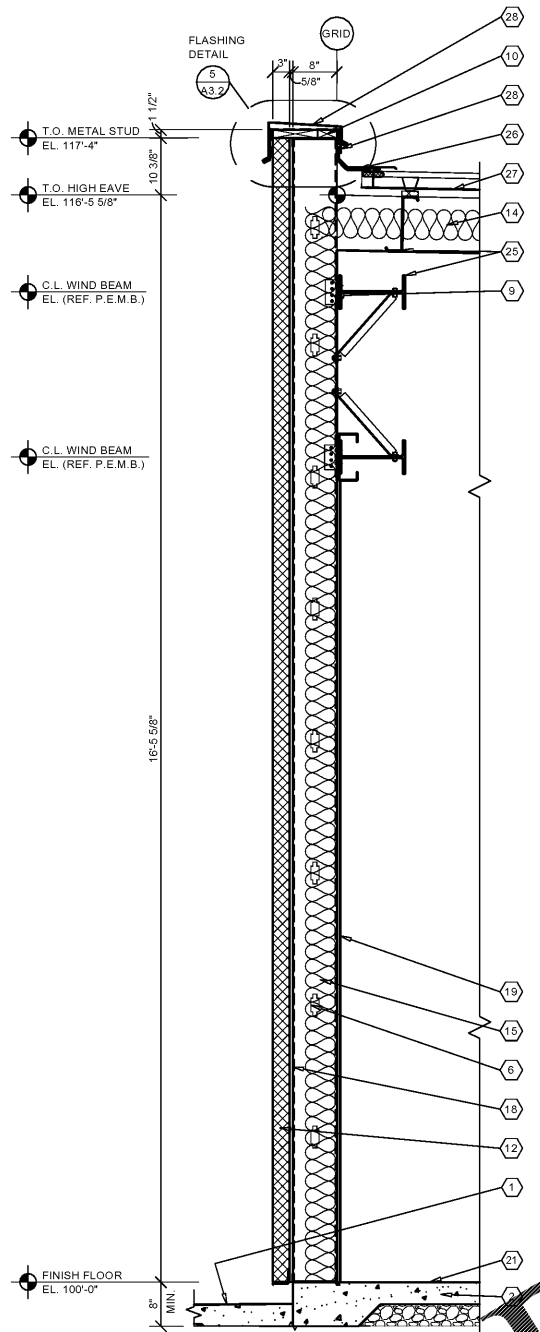
NOTE:
FOR TYPICAL EXTERIOR
WALL CONSTRUCTION
NOTATION, REFER
A3.2

GENERAL NOTES

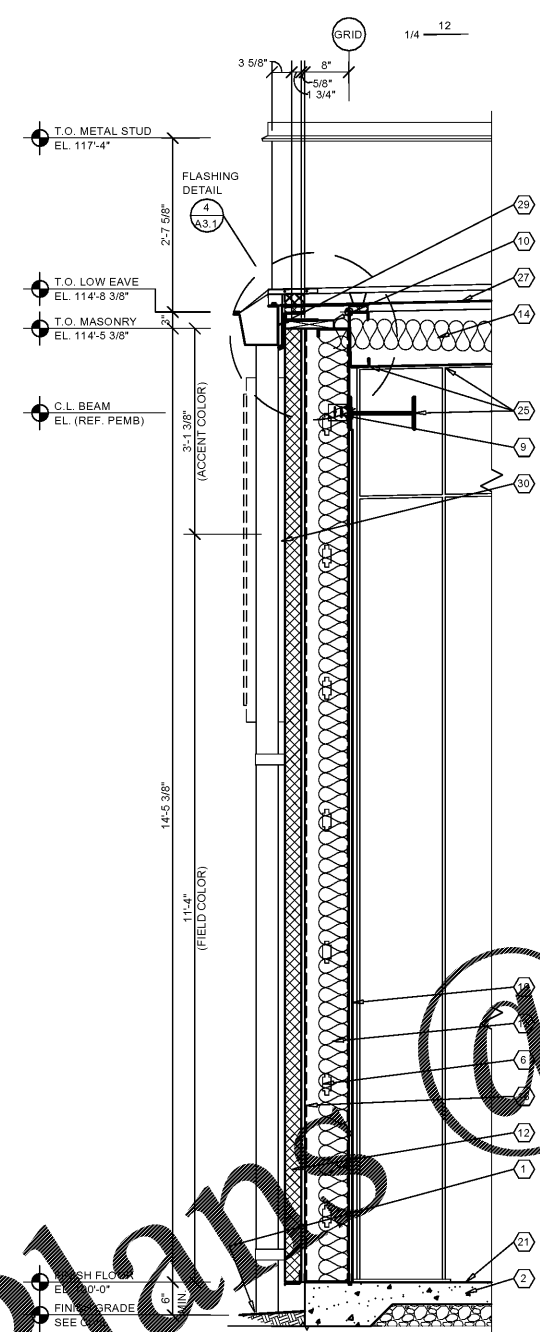
- (A) REFER TO PROJECT MANUAL AND SCOPE OF WORK SCHEDULE FOR ADDITIONAL REQUIREMENTS.
- (B) REFER TO CIVIL, STRUCTURAL, MECHANICAL, ELECTRICAL, PLUMBING, AND PRE-ENGINEERED METAL BUILDING (P.E.M.B.) SHOP DRAWINGS FOR ADDITIONAL REQUIREMENTS.
- (C) REFER TO INTERIOR AND EXTERIOR FINISH SCHEDULES FOR MATERIAL TYPES, COLORS AND FINISHES.
- (D) DIMENSIONS ARE TO FACE OF CONCRETE, MASONRY, FRAMING, OR CENTER LINE OF STRUCTURE UNLESS OTHERWISE INDICATED.

KEY NOTES

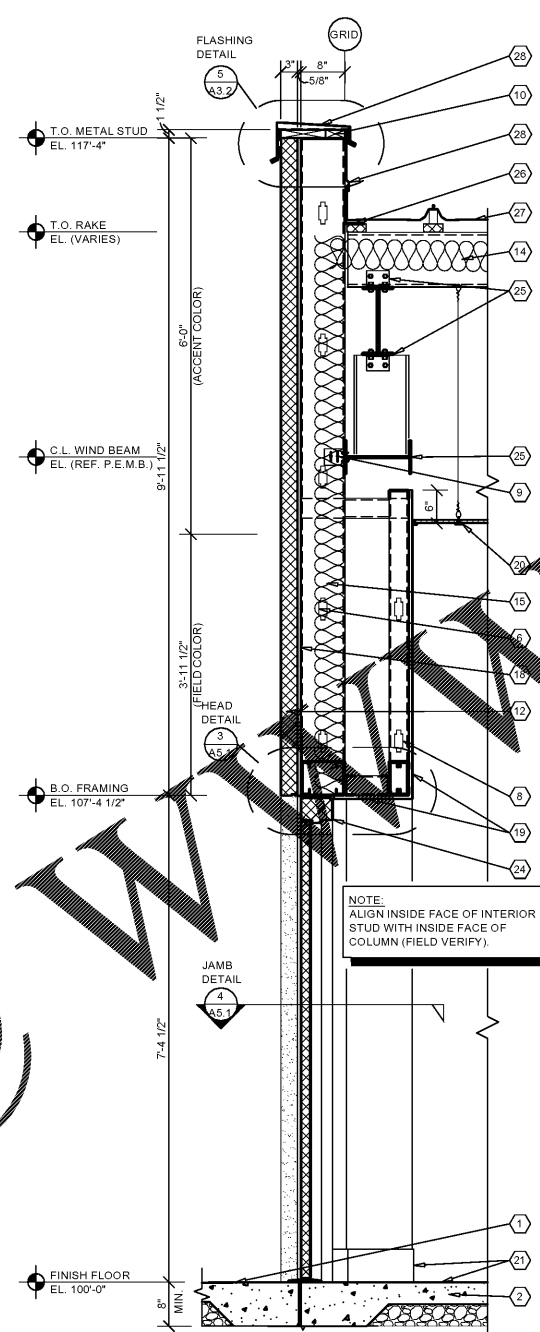
- (1) FINISH LAY PAVEMENT OR SIDEWALK. SLOPE TO DRAIN AWAY FROM BUILDING PER CIVIL DRAWINGS.
- (2) CONCRETE FLOOR SLAB. REFER TO STRUCTURAL DRAWINGS.
- (3) (NOT USED)
- (4) (NOT USED)
- (5) (NOT USED)
- (6) 8" COLD FORM METAL FRAMING. REFER TO STRUCTURAL DRAWINGS.
- (7) (NOT USED)
- (8) 3 5/8" (20 GA.) COLD FORM METAL STUD FRAMING AT 24" O.C. REFER TO INTERIOR WALL TYPES FOR ADDITIONAL REQUIREMENTS.
- (9) COLD FORM METAL STUD FRAMING CLIP. REFER TO STRUCTURAL DRAWINGS.
- (10) FIRE TREATED 2X NAILER(S) CONTINUOUS. CUT TO FIT WALL WIDTH. ATTACHED TO METAL STUD FRAMING WITH #12 SCREWS AT 24" O.C. STAGGERED.
- (11) FIRE TREATED 2X NAILER OR BLOCKING.
- (12) EXTERIOR INSULATION FINISH SYSTEM (EIFS) OVER RIGID INSULATION DRAINAGE BOARD IN THICKNESS INDICATED.
- (13) (NOT USED)
- (14) PRE-ENGINEERED METAL BUILDING ROOF INSULATION (R-36) LINER SYSTEM. (REFER TO SCOPE OF WORK SCHEDULE). VAPOR BARRIER OVER HIGH STRENGTH STEEL SUSPENSION STRAPS ATTACHED TO BOTTOM OF PRE-ENGINEERED METAL BUILDING ROOF PURLINS WITH (1) LAYER 8" (R-25) UN-FACED BATT INSULATION PARALLEL WITH ROOF PURLIN CAVITY AND (1) LAYER 3 1/2" (R-11) UN-FACED BATT INSULATION PERPENDICULAR OVER TOP OF ROOF PURLINS.
- (15) 6" (R-19) BATT INSULATION WITH FOIL FACE VAPOR BARRIER.
- (16) FLEXIBLE FLASHING CONTINUOUS TO LAP OVER NAILERS AND DOWN BEHIND CONTINUOUS CLEATS ON BOTH SIDES. LAP JOINTS 8" MINIMUM AND MASTIC.
- (17) (NOT USED)
- (18) 5/8" EXTERIOR FIBERGLASS REINFORCED SHEATHING WITH CONTINUOUS WEATHER BARRIER. REFER TO STRUCTURAL DRAWINGS FOR ATTACHMENT REQUIREMENTS.
- (19) 5/8" TYPE "X" GYPSUM BOARD. REFER TO INTERIOR WALL TYPES FOR ADDITIONAL REQUIREMENTS.
- (20) SUSPENDED ACOUSTICAL LAY - IN CEILING SYSTEM. REFER TO INTERIOR FINISH SCHEDULE FOR TYPES AND LOCATIONS.
- (21) FLOORING AND BASE. REFER TO INTERIOR FINISH SCHEDULE FOR TYPES AND LOCATIONS.
- (22) (NOT USED)
- (23) (NOT USED)
- (24) DOOR AND FRAME SYSTEM. REFER TO FLOOR PLAN AND SCHEDULES FOR TYPES.
- (25) PRE-ENGINEERED METAL BUILDING PRIMARY AND SECONDARY STRUCTURAL FRAMING SYSTEMS.
- (26) PRE-ENGINEERED METAL BUILDING TRANSITION SUPPORT PLATE ASSEMBLY.
- (27) PRE-ENGINEERED METAL BUILDING ROOF PANEL SYSTEM WITH THERMAL SPACER BLOCKS (R-5 MIN.).
- (28) PRE-ENGINEERED METAL BUILDING SHEET METAL FLASHING, COUNTER - FLASHING, CONTINUOUS CLEATS, DRIPS CLOSURES, TRANSITIONS, COPINGS AND ACCESSORIES AS REQUIRED.
- (29) PRE-ENGINEERED METAL BUILDING GUTTER AND DOWNSPOUT SYSTEM. REFER TO EXTERIOR ELEVATIONS FOR LOCATIONS. REFER TO P.E.M.B. SHOP DRAWINGS FOR SIZES. PROVIDE CONCRETE SPLASH BLOCKS UNLESS OTHERWISE INDICATED.
- (30) SURFACE MOUNTED WALL SIGN, OWNER FURNISHED AND INSTALLED. (REFER TO SCOPE OF WORK SCHEDULE). PROVIDE BACKING AND ELECTRICAL ROUGH-IN. REFER TO ELECTRICAL DRAWINGS.
- (31) (NOT USED)



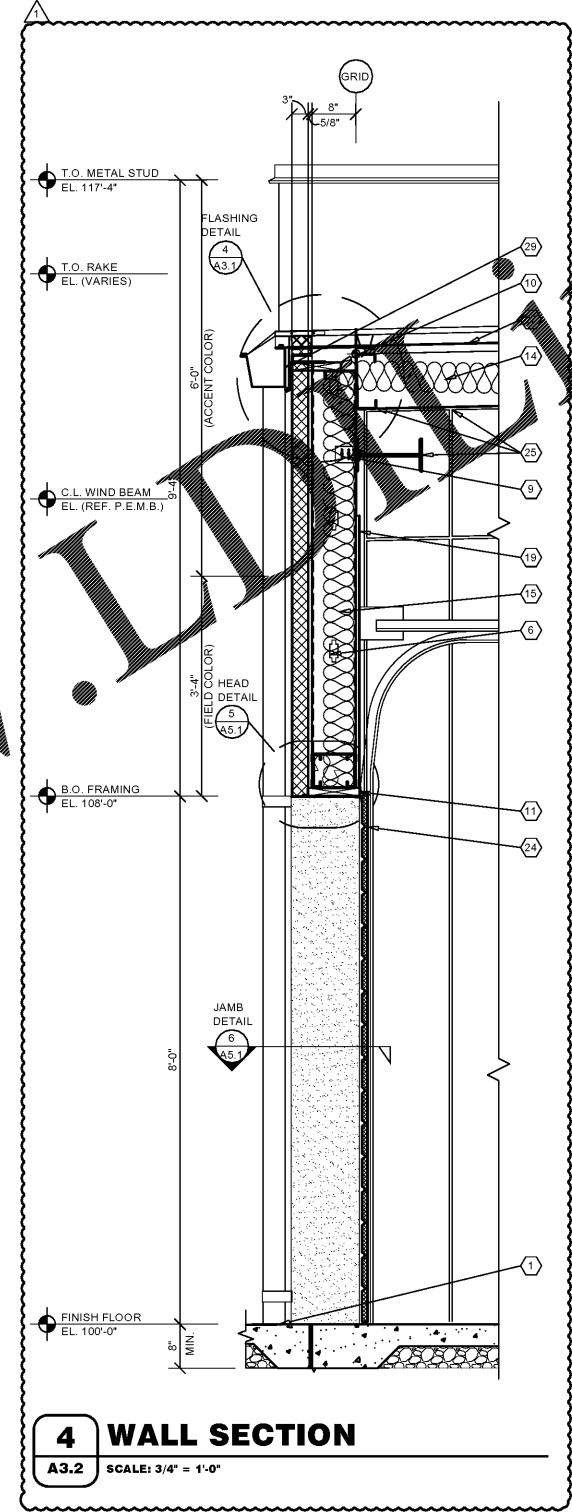
1 WALL SECTION
A3.2 SCALE: 3/4" = 1'-0"



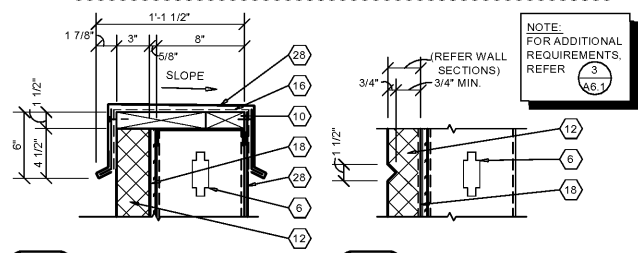
2 WALL SECTION
A3.2 SCALE: 3/4" = 1'-0"



3 WALL SECTION
A3.2 SCALE: 3/4" = 1'-0"



4 WALL SECTION
A3.2 SCALE: 3/4" = 1'-0"

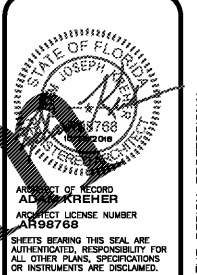


5 SECTION
A3.2 SCALE: 1 1/2" = 1'-0"

6 SECTION
A3.2 SCALE: 1 1/2" = 1'-0"

NOTE:
REFER TO STRUCTURAL DRAWINGS FOR FOOTINGS,
FOUNDATIONS, SLABS AND REINFORCEMENT.

Order Plans @



PROJECT OF RECORD
JOSEPH A. KREHER
ARCHITECT LICENSE NUMBER
A098766
116 N. 2ND AVENUE
OZARK, MO 65721
P (417) 581-8889
F (417) 581-9002



PROJECT:
NEW O'REILLY AUTO PARTS STORE
463352 SR 200
YULEE, FL 32097

O'Reilly AUTO PARTS
CORPORATE OFFICES
233 SOUTH PATTERSON
SPRINGFIELD, MISSOURI 65802
(417) 882-2674 TELEPHONE

DRAWN BY: NO
CHECKED BY: KR
DATE: 10/19/2018
REVISION: ADD001
OCTOBER 26, 2018
PROJECT NUMBER: 18155-YUL
SHEET NUMBER

A3.2

COPYRIGHT 2016 - DESIGNS, DRAWINGS AND SPECIFICATIONS ARE INSTRUMENTS OF SERVICE AND ARE THE PROPERTY OF THE DESIGN PROFESSIONAL. REPRODUCTION PROHIBITED WITHOUT THE EXPRESSED WRITTEN CONSENT OF THE DESIGN PROFESSIONAL.