

NOTE:
FOR TYPICAL EXTERIOR
WALL CONSTRUCTION
NOTATION, REFER
A3.1

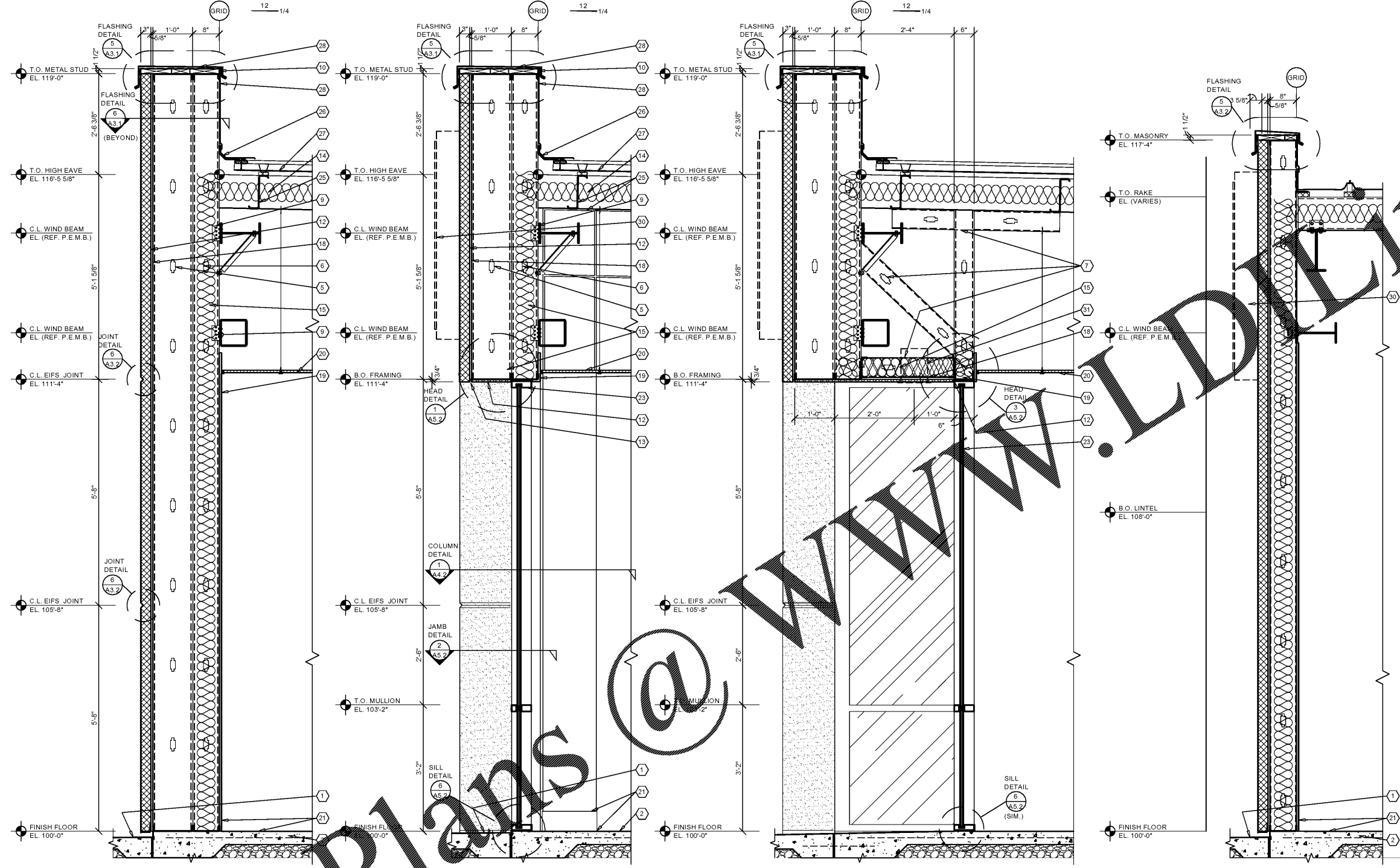
NOTE:
FOR TYPICAL EXTERIOR
WALL CONSTRUCTION
NOTATION, REFER
A3.2

GENERAL NOTES

- (A) REFER TO PROJECT MANUAL AND SCOPE OF WORK SCHEDULE FOR ADDITIONAL REQUIREMENTS.
- (B) REFER TO CIVIL, STRUCTURAL, MECHANICAL, ELECTRICAL, PLUMBING, AND PRE-ENGINEERED METAL BUILDING (P.E.M.B.) SHOP DRAWINGS FOR ADDITIONAL REQUIREMENTS.
- (C) REFER TO INTERIOR AND EXTERIOR FINISH SCHEDULES FOR MATERIAL TYPES, COLORS AND FINISHES.
- (D) DIMENSIONS ARE TO FACE OF CONCRETE, MASONRY, FRAMING, OR CENTER LINE OF STRUCTURE UNLESS OTHERWISE INDICATED.

KEY NOTES

- (1) FINISH LAY PAVEMENT OR SIDEWALK. SLOPE TO DRAIN AWAY FROM BUILDING.
- (2) CONCRETE FLOOR SLAB. REFER TO STRUCTURAL DRAWINGS.
- (3) (NOT USED)
- (4) (NOT USED)
- (5) 12" COLD FORM METAL FRAMING, REFER TO STRUCTURAL DRAWINGS.
- (6) 8" COLD FORM METAL FRAMING, REFER TO STRUCTURAL DRAWINGS.
- (7) 6" (18 GA.) COLD FORM METAL STUD FRAMING AT 24" O.C. ATTACHED TO PRE-ENGINEERED METAL BUILDING STRUCTURAL FRAMING SYSTEM.
- (8) (NOT USED)
- (9) COLD FORM METAL STUD FRAMING CLIP, REFER TO STRUCTURAL DRAWINGS.
- (10) FIRE TREATED 2X NAILER(S) CONTINUOUS. CUT TO FIT WALL WIDTH. ATTACHED TO METAL STUD FRAMING WITH #12 SCREWS AT 24" O.C. STAGGERED.
- (11) (NOT USED)
- (12) EXTERIOR INSULATION FINISH SYSTEM (EIFS) OVER RIGID INSULATION DRAINAGE BOARD IN THICKNESS INDICATED.
- (13) EXTERIOR INSULATION FINISH SYSTEM (EIFS) DRIP.
- (14) PRE-ENGINEERED METAL BUILDING ROOF INSULATION (R-36) LINER SYSTEM. (REFER TO SCOPE OF WORK SCHEDULE). VAPOR BARRIER OVER HIGH STRENGTH STEEL SUSPENSION STRAP'S ATTACHED TO BOTTOM OF PRE-ENGINEERED METAL BUILDING ROOF PURLINS WITH (1) LAYER 8" (R-25) UN-FACED BATT INSULATION PARALLEL WITH ROOF PURLIN CAVITY AND (1) LAYER 3 1/2" (R-11) UN-FACED BATT INSULATION PERPENDICULAR OVER TOP OF ROOF PURLINS.
- (15) 6" (R-19) BATT INSULATION WITH FOIL FACE VAPOR BARRIER.
- (16) FLEXIBLE FLASHING CONTINUOUS TO LAP OVER NAILERS AND DOWN BEHIND CONTINUOUS CLEATS ON BOTH SIDES. LAP JOINTS 8" MINIMUM AND MASTIC.
- (17) SHEET METAL (24 GA.) FLASHING, COUNTER FLASHING, EDGES, DRIPS, TRIM, CLEATS AND ACCESSORIES.
- (18) 5/8" EXTERIOR FIBERGLASS REINFORCED SHEATHING WITH CONTINUOUS WEATHER BARRIER. REFER TO STRUCTURAL DRAWINGS FOR ATTACHMENT REQUIREMENTS.
- (19) 5/8" TYPE "X" GYPSUM BOARD. REFER TO INTERIOR WALL TYPES FOR ADDITIONAL REQUIREMENTS.
- (20) SUSPENDED ACOUSTICAL LAY - IN CEILING SYSTEM. REFER TO INTERIOR FINISH SCHEDULE FOR TYPES AND LOCATIONS.
- (21) FLOORING AND BASE. REFER TO INTERIOR FINISH SCHEDULE FOR TYPES AND LOCATIONS.
- (22) SEALANT WITH BACKER ROD (WHERE REQUIRED) TYPICAL AT OPENING PERIMETER JOINTS.
- (23) ALUMINUM WINDOW SYSTEM. REFER TO FLOOR PLAN AND WINDOW SCHEDULES FOR TYPES.
- (24) (NOT USED)
- (25) PRE-ENGINEERED METAL BUILDING PRIMARY AND SECONDARY STRUCTURAL FRAMING SYSTEMS.
- (26) PRE-ENGINEERED METAL BUILDING TRANSITION SUPPORT PLATE ASSEMBLY.
- (27) PRE-ENGINEERED METAL BUILDING ROOF PANEL SYSTEM WITH THERMAL SPACER BLOCKS (R-5 MIN.).
- (28) PRE-ENGINEERED METAL BUILDING SHEET METAL FLASHING, COUNTER FLASHING, CONTINUOUS CLEATS, DRIPS CLOSURES, TRANSITIONS, COPINGS AND ACCESSORIES AS REQUIRED.
- (29) PRE-ENGINEERED METAL BUILDING GUTTER AND DOWNSPOUT SYSTEM. REFER TO EXTERIOR ELEVATIONS FOR LOCATIONS. REFER TO P.E.M.B. SHOP DRAWINGS FOR SIZES. PROVIDE CONCRETE SPLASH BLOCKS UNLESS OTHERWISE INDICATED.
- (30) SURFACE MOUNTED WALL SIGN, OWNER FURNISHED AND INSTALLED. (REFER TO SCOPE OF WORK SCHEDULE). PROVIDE BACKING AND ELECTRICAL ROUGH-IN. REFER TO ELECTRICAL DRAWINGS.
- (31) RECESSED LIGHTING FIXTURE. REFER TO ELECTRICAL DRAWINGS FOR TYPE AND LOCATION.

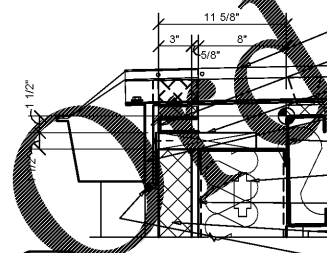


1 WALL SECTION
A3.1 SCALE: 3/4" = 1'-0"

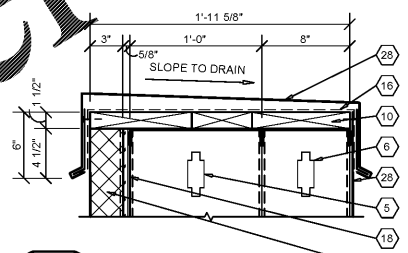
2 WALL SECTION
A3.1 SCALE: 3/4" = 1'-0"

3 WALL SECTION
A3.1 SCALE: 3/4" = 1'-0"

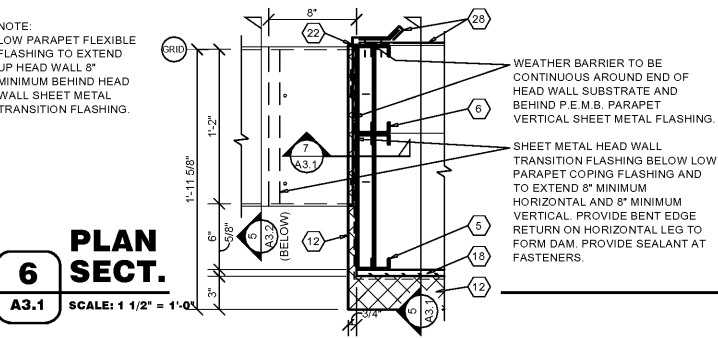
4 WALL SECTION
A3.1 SCALE: 3/4" = 1'-0"



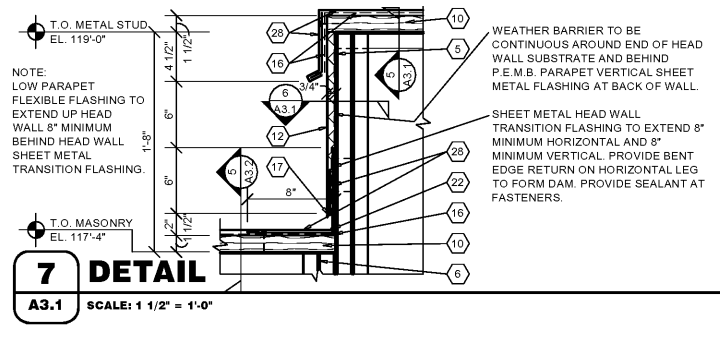
4 SECTION
A3.1 SCALE: 1 1/2" = 1'-0"



5 SECTION
A3.1 SCALE: 1 1/2" = 1'-0"



6 PLAN SECT.
A3.1 SCALE: 1 1/2" = 1'-0"



7 DETAIL
A3.1 SCALE: 1 1/2" = 1'-0"



PROJECT OF RECORD
JOSEPH A. KREHER
ARCHITECT LICENSE NUMBER
A18978
SHEETS BEARING THIS SEAL ARE
AUTHENTICATED. RESPONSIBILITY FOR
ALL OTHER PLANS, SPECIFICATIONS
OR INSTRUMENTS ARE DISCLAIMED.

torgerson DESIGN partners
116 N. 2ND AVENUE
OZARK, MO 65721
P (417) 581-8889
F (417) 581-9002



PROJECT:
NEW O'REILLY AUTO PARTS STORE
463352 SR 200
YULEE, FL 32097

O'Reilly AUTO PARTS
CORPORATE OFFICES
333 SOUTH PATTERSON
SPRINGFIELD, MISSOURI 65802
(417) 882-2674 TELEPHONE

DRAWN BY: NO
CHECKED BY: KR
DATE: 10/19/2018
REVISION:
PROJECT NUMBER: 18155-YUL
SHEET NUMBER

A3.1

REPRODUCTION PROHIBITED WITHOUT THE EXPRESSED WRITTEN CONSENT OF THE DESIGN PROFESSIONAL.
COPYRIGHT 2016 I DESIGNS. DRAWINGS AND SPECIFICATIONS ARE INSTRUMENTS OF SERVICE AND ARE THE PROPERTY OF THE DESIGN PROFESSIONAL.