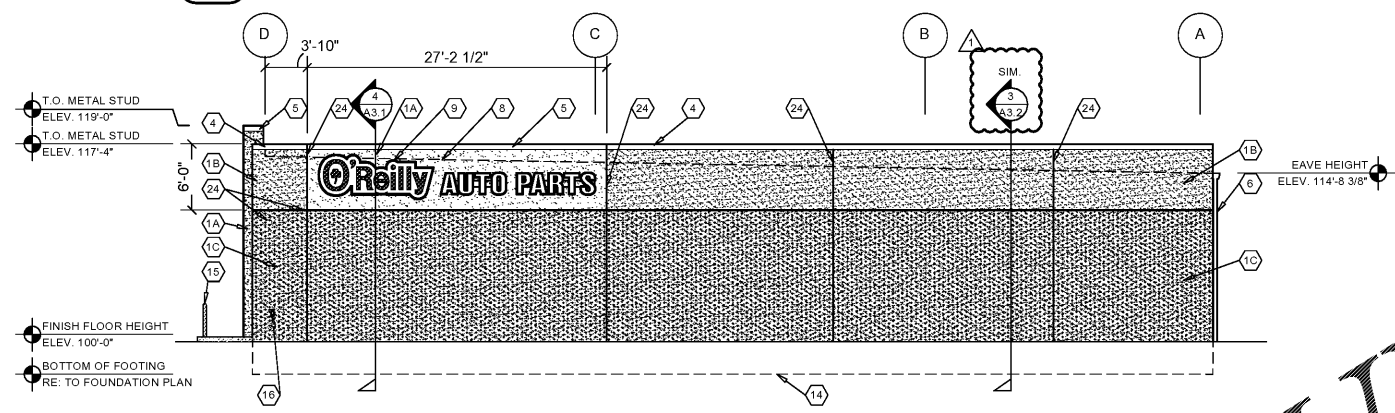


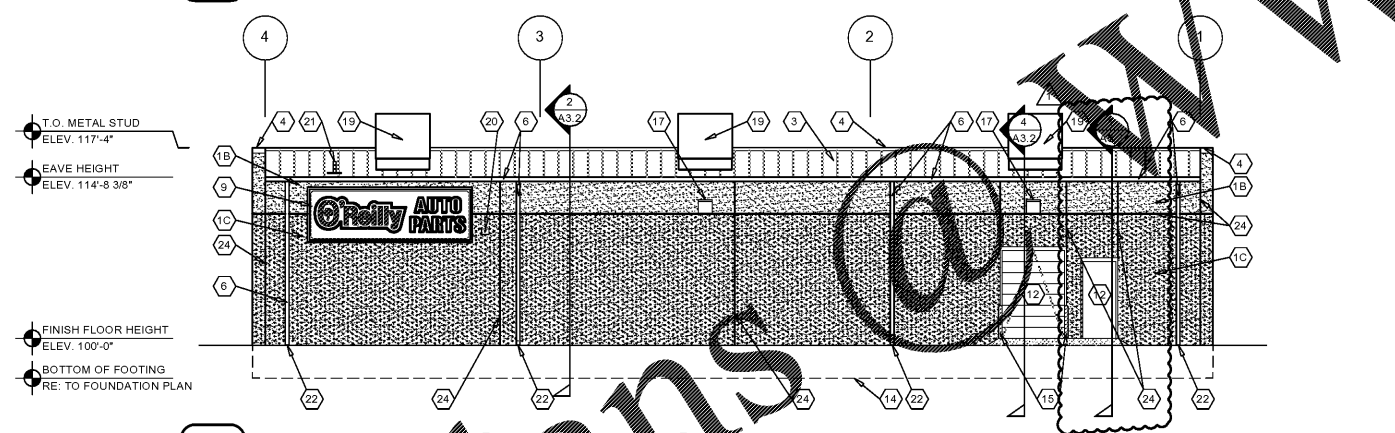
**1 FRONT EXTERIOR ELEVATION**

A2.1 SCALE: 1/8" = 1'-0"



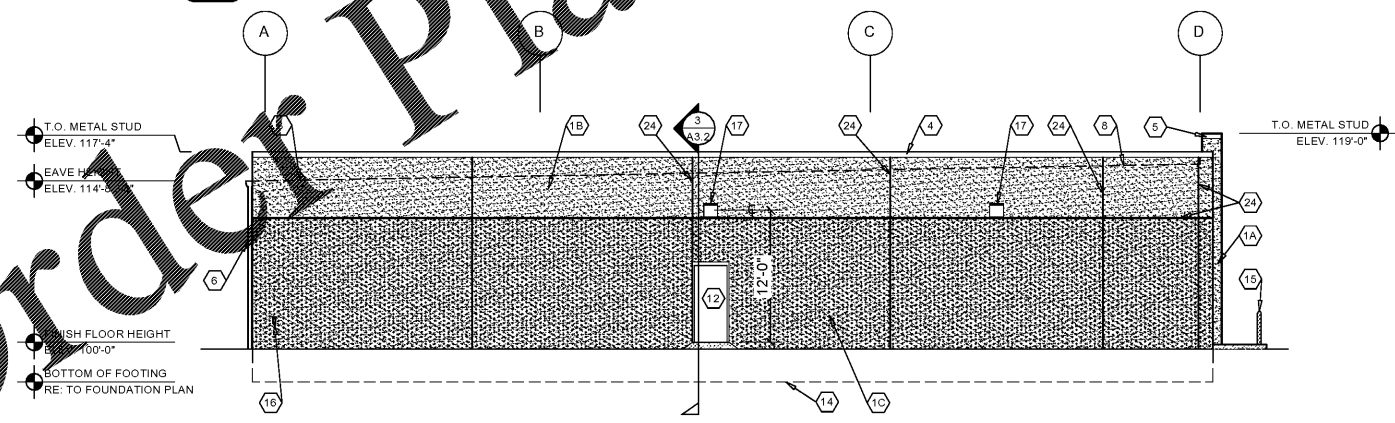
**2 RIGHT EXTERIOR ELEVATION**

A2.1 SCALE: 1/8" = 1'-0"



**3 REAR EXTERIOR ELEVATION**

A2.1 SCALE: 1/8" = 1'-0"



**4 LEFT EXTERIOR ELEVATION**

A2.1 SCALE: 1/8" = 1'-0"

**EXTERIOR FINISH SCHEDULE**

**EXTERIOR INSULATION AND FINISH SYSTEM (EIFS)**  
**KEY NOTE NO. 1A:**  
 MFG: DRYVIT SPECIFIED, EQUAL BY STO OR BASF (NO SUBSTITUTES)  
 SERIES: OUTSULATION PLUS MD  
 TEXTURE: SANDBLAST  
 COLOR: DRYVIT "ORAP011030S" STRATOTONE HIGH PERFORMANCE  
 COLOR STANDARD: SHERWIN WILLIAMS "POSITIVE RED" SW6871 (SHER-CRYL) GLOSS

**KEY NOTE NO. 1B:**  
 MFG: DRYVIT SPECIFIED, EQUAL BY STO OR BASF (NO SUBSTITUTES)  
 SERIES: OUTSULATION PLUS MD  
 TEXTURE: SANDBLAST  
 COLOR: DRYVIT "ORAP011030S" STRATOTONE HIGH PERFORMANCE  
 COLOR STANDARD: SHERWIN WILLIAMS "SOFTER TAN" SW6141 (SHER-CRYL) GLOSS

**KEY NOTE NO. 1C:**  
 MFG: DRYVIT SPECIFIED, EQUAL BY STO OR BASF (NO SUBSTITUTES)  
 SERIES: OUTSULATION PLUS MD  
 TEXTURE: SANDBLAST  
 COLOR: DRYVIT "ORAP011030S" STRATOTONE HIGH PERFORMANCE  
 COLOR STANDARD: SHERWIN WILLIAMS "LATTE" SW6108 (SHER-CRYL) GLOSS

**FLASHING AND SHEET METAL**  
**KEY NOTE NO. 3:**  
 TYPE: STANDING SEAM ROOFING SYSTEM  
 MFG: (REFER TO PRE-ENGINEERED METAL BUILDING SHOP DRAWINGS)  
 COLOR: 3 YEAR AGED SOLAR REFLECTANCE COEFFICIENT >= 84 SRI

**KEY NOTE NO. 4:**  
 TYPE: CAP FLASHING AT EXTERIOR INSULATION FINISH SYSTEM (EIFS)  
 MFG: (REFER TO PRE-ENGINEERED METAL BUILDING SHOP DRAWINGS)  
 FINISH: PRE-FINISHED  
 COLOR: EQUAL TO BUTLER BUILDING "COOL BIRCH WHITE"

**KEY NOTE NO. 5:**  
 TYPE: CAP FLASHING AT EXTERIOR INSULATION FINISH SYSTEM (EIFS)  
 MFG: (REFER TO PRE-ENGINEERED METAL BUILDING SHOP DRAWINGS)  
 FINISH: FACTORY PRIMED AND FIELD PAINT  
 COLOR: SHERWIN WILLIAMS "POSITIVE RED" SW6871 (SHER-CRYL) GLOSS WITH SHERWIN WILLIAMS THREE COMPONENT (B65T105 / B65V105 / B65C105) CLEAR COAT WITH GLASS BEADS

**KEY NOTE NO. 6:**  
 TYPE: GUTTER AND DOWNSPOUTS  
 MFG: (REFER TO PRE-ENGINEERED METAL BUILDING SHOP DRAWINGS)  
 FINISH: PRE-FINISHED  
 COLOR: EQUAL TO BUTLER BUILDING "COOL BIRCH WHITE"

**DOORS AND WINDOWS**  
**KEY NOTE NO. 12:**  
 TYPE: STEEL DOORS AND FRAMES (DOORS NO. 2 AND 7)  
 MFG: (OWNER FURNISHED / CONTRACTOR INSTALLED)  
 FINISH: FACTORY PRIMED AND FIELD PAINTED  
 COLOR: SHERWIN WILLIAMS (MATCH ADJACENT MASONRY COLOR) (SEMI-GLOSS)

**KEY NOTE NO. 12:**  
 TYPE: STEEL DOORS AND FRAMES (DOORS NO. 3)  
 MFG: (REFER PROJECT MANUAL)  
 FINISH: FACTORY PRIMED AND FIELD PAINTED  
 COLOR: SHERWIN WILLIAMS (MATCH ADJACENT MASONRY COLOR) (SEMI-GLOSS)

**KEY NOTE NO. 13:**  
 TYPE: (REFER TO WINDOW SCHEDULE)  
 MFG: EFCO, KAWNEER, OR OLD CASTLE (VISTA WALL), (NO SUBSTITUTES)  
 COLOR: EFCO "IVY", KAWNEER "DARK IVY", VISTA WALL "INTERSTATE GREEN"

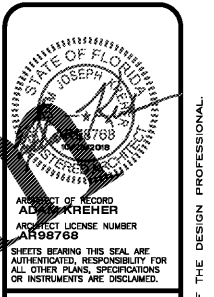
**PAINTING**  
**KEY NOTE NO. 15:**  
 TYPE: STEEL BOLLARDS (REFER TO CIVIL DRAWINGS)  
 FINISH: FIELD PRIMED AND PAINTED  
 COLOR: SHERWIN WILLIAMS "HUNT CLUB" SW6468 (SEMI-GLOSS)

**GENERAL NOTES**

- A REFER TO PROJECT MANUAL FOR ADDITIONAL REQUIREMENTS.
- B REFER TO CIVIL DRAWINGS FOR ADDITIONAL REQUIREMENTS.
- C REFER TO PLUMBING, MECHANICAL, AND ELECTRICAL DRAWINGS FOR SYSTEM TYPES AND ADDITIONAL REQUIREMENTS.
- D REFER TO EXTERIOR FINISH SCHEDULE FOR MATERIAL TYPES.
- E REFER TO PRE-ENGINEERED METAL BUILDING SHOP DRAWINGS FOR ADDITIONAL REQUIREMENTS.
- F REFER TO SCOPE OF WORK SCHEDULE FOR ADDITIONAL REQUIREMENTS.

**KEY NOTES**

- 1A EXTERIOR INSULATION AND FINISH SYSTEM (EIFS).
- 1B EXTERIOR INSULATION AND FINISH SYSTEM (EIFS).
- 1C EXTERIOR INSULATION AND FINISH SYSTEM (EIFS).
- 2 (NOT USED)
- 3 PRE-ENGINEERED METAL BUILDING SHEET METAL ROOFING SYSTEM.
- 4 PRE-ENGINEERED METAL BUILDING SHEET METAL FLASHING (AT EIFS TYPE 1B)
- 5 PRE-ENGINEERED METAL BUILDING SHEET METAL FLASHING (AT EIFS TYPE 1A)
- 6 PRE-ENGINEERED METAL BUILDING SHEET METAL GUTTER AND DOWNSPOUT SYSTEM.
- 7 (NOT USED)
- 8 LINE OF ROOF BEYOND WITH 1/4":12" SLOPE MINIMUM.
- 9 SURFACE MOUNTED SIGN OWNER FURNISHED AND INSTALLED. PROVIDE BACKING FOR MOUNTING AND ROUGH-IN ELECTRICAL COORDINATE REQUIREMENTS WITH OWNER. REFER TO SHEET SG2.1.
- 10 BUILDING ADDRESS NUMBERS IN 6" HIGH HELVETICA WHITE VINYL ADHERED TO EXTERIOR FACE OF GLAZING.
- 11 (NOT USED)
- 12 EXTERIOR DOOR AND FRAME SYSTEM. REFER TO FLOOR PLAN AND DOOR SCHEDULE FOR TYPES.
- 13 EXTERIOR WINDOW SYSTEM. REFER TO FLOOR PLAN AND WINDOW SCHEDULE FOR TYPES.
- 14 APPROXIMATE LINE OF FOUNDATION, REFER TO STRUCTURAL DRAWINGS.
- 15 STEEL BOLLARDS, REFER TO CIVIL AND STRUCTURAL DRAWINGS.
- 16 HOSE BIB, REFER TO PLUMBING DRAWINGS.
- 17 LIGHT FIXTURE, REFER TO ELECTRICAL DRAWINGS.
- 18 (NOT USED)
- 19 MECHANICAL ROOF TOP UNIT, REFER TO MECHANICAL DRAWINGS.
- 20 MECHANICAL WALL PENETRATIONS, REFER TO MECHANICAL DRAWINGS. PROVIDE FRAMING, FLASHING, AND SEALANT AS REQUIRED. INSTALL RESTROOM EXHAUST FANS 12" MINIMUM ABOVE INTERIOR CEILING FRAMING.
- 21 PLUMBING ROOF VENT, REFER TO PLUMBING DRAWINGS AND DETAIL 11/A4.2.
- 22 DOWNSPOUTS TO CONNECT TO STORM SEWER. SEE CIVIL.
- 23 (NOT USED)
- 24 RUSTICATION JOINT, REFER TO DETAIL 6/A3.2.



torgerson DESIGN partners  
 116 N. 2ND AVENUE  
 OZARK, MO 65721  
 P (417) 581-8889  
 F (417) 581-9002



PROJECT:  
**NEW O'REILLY AUTO PARTS STORE**  
 463352 SR 200  
 YULEE, FL 32097

**O'Reilly AUTO PARTS**  
 CORPORATE OFFICES  
 233 SOUTH PATTERSON  
 SPRINGFIELD, MISSOURI 65802  
 (417) 882-2674 TELEPHONE

DRAWN BY:	CHECKED BY:
NO	KR
DATE:	
10/19/2018	
REVISION:	
ADD001	
OCTOBER 26, 2018	
PROJECT NUMBER:	
18155-YUL	
SHEET NUMBER	

**A2.1**

Order Plans @ WWW.IDRILLING.COM

REPRODUCTION PROHIBITED WITHOUT THE EXPRESSED WRITTEN CONSENT OF THE DESIGN PROFESSIONAL. COPYRIGHT 2016 - DESIGNS, DRAWINGS AND SPECIFICATIONS ARE INSTRUMENTS OF SERVICE AND ARE THE PROPERTY OF THE DESIGN PROFESSIONAL.