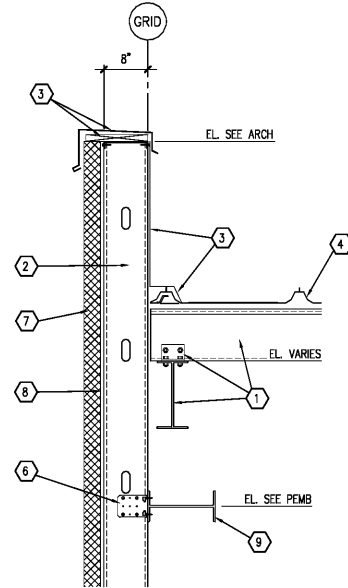
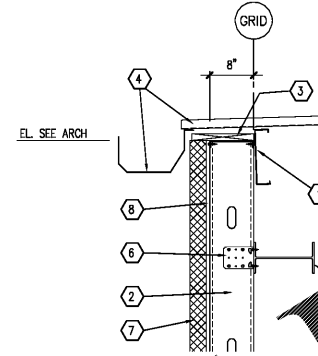


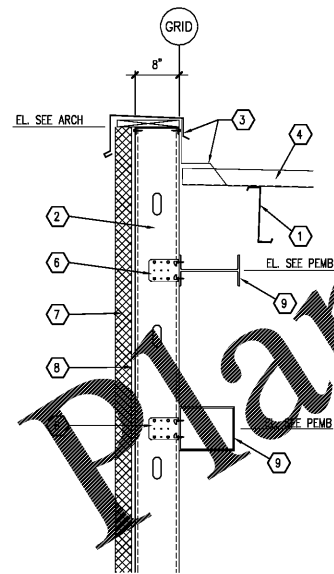
EXTERIOR FRAMING KEY PLAN
SCALE: NONE



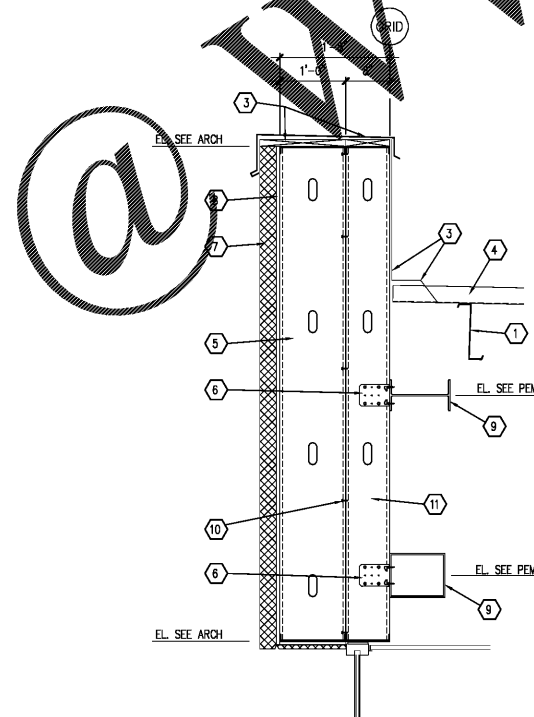
1 SECTION
S4 SCALE: 3/4" = 1'-0"



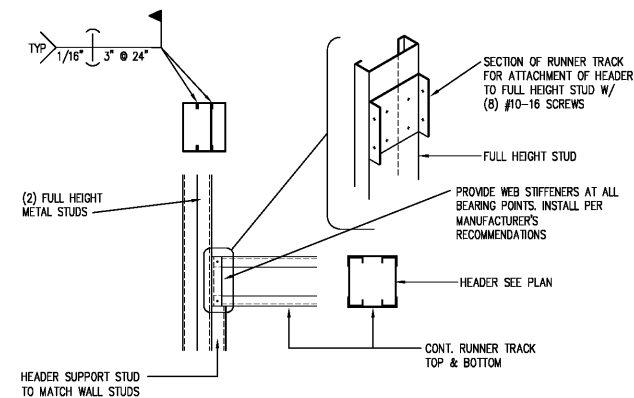
2 SECTION
S4 SCALE: 3/4" = 1'-0"



3 SECTION
S4 SCALE: 3/4" = 1'-0"



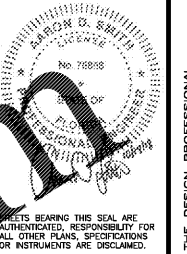
4 SECTION
S4 SCALE: 3/4" = 1'-0"



5 SECTION
S4 SCALE: NONE

KEYNOTES

- 1 PRE-ENGINEERED METAL BUILDING STRUCTURAL SYSTEM. SEE P.E.M.B. SHOP DRAWINGS FOR ALL MEMBERS AND CONNECTIONS
- 2 8"x18 ga. METAL STUDS (800S162-43) @ 24" O.C. SEE STRUCTURAL NOTES FOR BLOCKING/BRIDGING REQUIREMENTS AND ADDITIONAL INFORMATION.
- 3 REFER TO ARCHITECTURAL DRAWINGS FOR FLASHING AND PARAPET CAP.
- 4 PRE-ENGINEERED METAL BUILDING ROOFING SYSTEM. SEE P.E.M.B. SHOP DRAWINGS FOR ADDITIONAL INFORMATION.
- 5 12"x16 ga. METAL STUDS (1200S162-54) @ 24" O.C.
- 6 16 ga SIMPSON FCB 43.5 CONNECTOR W/ (4) #12-14 SCREWS TO STUDS AND (2) #12 TO MIN. 3/16" THICK STEEL.
- 7 REFER TO ARCHITECTURAL FOR WALL FINISHES
- 8 REFER TO ARCHITECTURAL DRAWINGS FOR EXTERIOR WALL SHEATHING. SHEATHING SHALL BE ATTACHED TO EACH STUD PER SHEATHING MANUFACTURER'S REQUIREMENTS FOR WIND PRESSURES INDICATED ON SHEET S1. MINIMUM ATTACHMENT REQUIREMENT TO BE #8 CORNER RESISTANT (1" LONG) SCREWS @ 8" O.C. AT PERIMETER SHEETS AND AT CORNER IN THE INTERIOR FIELD.
- 9 PRE-ENGINEERED METAL BUILDING WIND BEAM. SEE P.E.M.B. SHOP DRAWINGS FOR LOCATIONS
- 10 CONNECT STUDS TO HEADER W/ (2) #12 SCREWS @ 24" O.C.
- 11 8"x16 ga. METAL STUDS (800S162-54) @ 24" O.C. SEE STRUCTURAL NOTES FOR BLOCKING/BRIDGING REQUIREMENTS AND ADDITIONAL INFORMATION.



JS Smith Consulting Engineers, P.C.
Professional Engineer
1807 W. STATE ST. SUITE 200, JOPLIN, MISSOURI 64804
PHONE: (417) 682-2674 FAX: (417) 682-2674

PROJECT:
NEW O'REILLY AUTO PARTS STORE
463352 SR 200
YULEE, FL 32097

FRAMING DETAILS

O'Reilly AUTO PARTS
CORPORATE OFFICES
233 SOUTH PATTERSON
SPRINGFIELD, MISSOURI 65802
(417) 862-2674 TELEPHONE

DRAWN BY: BTJ
CHECKED BY: AS
DATE: 10/19/18
REVISION:

PROJECT NUMBER: YUL
SHEET NUMBER: S4

Order Plans

@ WWW.LDILLINE.COM

REPRODUCTION PROHIBITED WITHOUT THE EXPRESSED WRITTEN CONSENT OF THE DESIGN PROFESSIONAL. COPYRIGHT 2018 - DESIGNS, DRAWINGS AND SPECIFICATIONS ARE INSTRUMENTS OF SERVICE AND ARE THE PROPERTY OF THE DESIGN PROFESSIONAL.