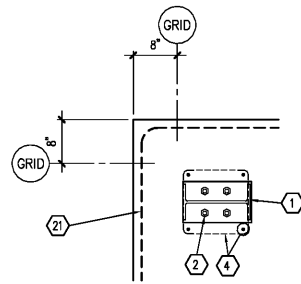
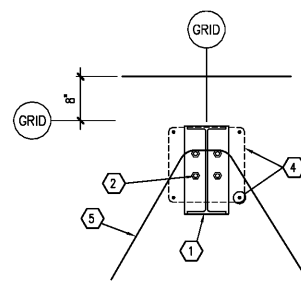


NOTE: ANCHOR BOLT ASSEMBLY TO BE PLACED IN FORM PRIOR TO POURING CONCRETE. BOLT MATERIAL MAY BE F1554 GR. 36, OR CONTINUOUSLY THREADED A36 ROD. ALL ANCHOR BOLTS SHALL BE CLEAN AND FREE OF ALL OIL, GREASE, ICE, ETC.

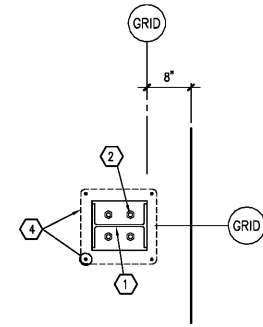
1 ANCHOR ASSEMBLY
S3.2 SCALE: NONE



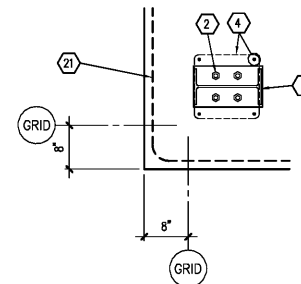
2 DETAIL
S3.2 SCALE: 3/4" = 1'-0"



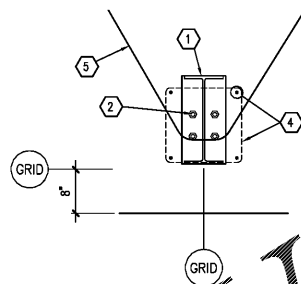
3 DETAIL
S3.2 SCALE: 3/4" = 1'-0"



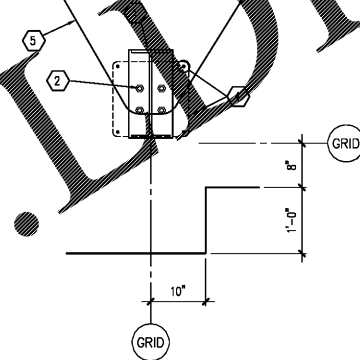
4 DETAIL
S3.2 SCALE: 3/4" = 1'-0"



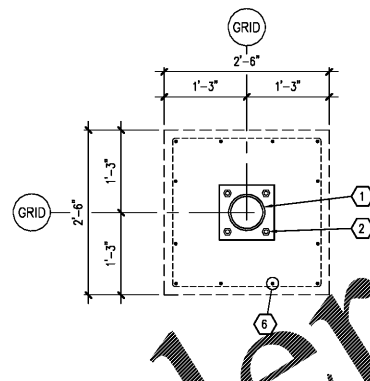
5 DETAIL
S3.2 SCALE: 3/4" = 1'-0"



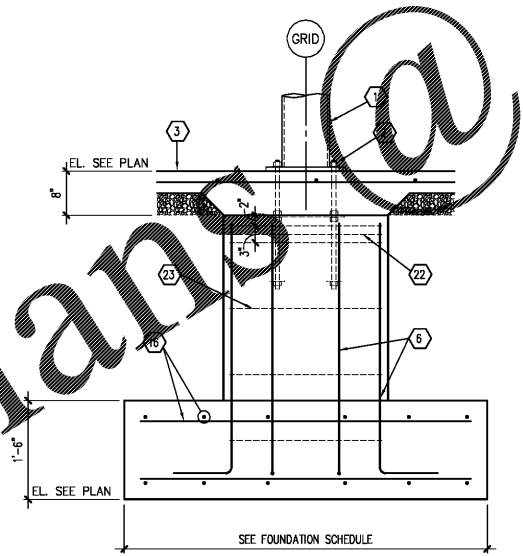
6 DETAIL
S3.2 SCALE: 3/4" = 1'-0"



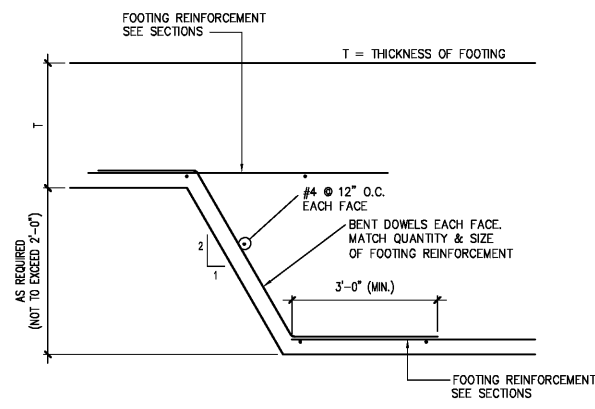
7 DETAIL
S3.2 SCALE: 3/4" = 1'-0"



8 DETAIL
S3.2 SCALE: 3/4" = 1'-0"



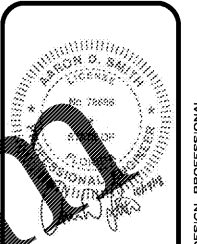
9 SECTION
S3.2 SCALE: 3/4" = 1'-0"



9 TYPICAL STEPPED FOOTING
S3.2 SCALE: NONE (IF REQUIRED BY FIELD CONDITIONS)

KEYNOTES

- 1 PRE-ENGINEERED METAL BUILDING STRUCTURAL SYSTEM. SEE P.E.M.B. SHOP DRAWINGS FOR ADDITIONAL INFORMATION.
- 2 ANCHOR BOLTS. SEE FOUNDATION SCHEDULE AND PRE-ENGINEERED METAL BUILDING DRAWINGS FOR SIZE, QUANTITY AND PLAN LOCATION. SEE 1/S3.2 FOR TYPICAL SHOP FABRICATED ANCHOR ASSEMBLY.
- 3 INTERIOR CONCRETE SLAB SEE FOUNDATION PLAN.
- 4 SEE DETAIL 11/S3.1 FOR VERTICAL ANCHOR BOLT CONFINEMENT REINFORCEMENT
- 5 SLAB HAIRPIN - SEE DETAIL 8/S3.1
- 6 SEE FOUNDATION SCHEDULE FOR PILASTER REINFORCEMENT.
- 7 #3x5'-0" DOWEL @ 36" O.C. FIELD BEND AS SHOWN 2'
- 8 #4 CONTINUOUS
- 9 #3 DOWELS @ 48" O.C.
- 10 #3 STIRRUPS @ 48" O.C.
- 11 (3) #4'S CONTINUOUS TOP & BOTTOM
- 12 EXTERIOR CONCRETE SLAB FOR SIDEWALK SEE FOUNDATION PLAN.
- 13 #4x1'-6" DOWELS @ 12" O.C. GRILL AND SPHERE INTO FOUNDATION WITH APPROPRIATE ADHESIVE SYSTEM. SEE SHEET S1 FOR ADHESIVE ANCHOR INSTALLATION
- 14 #1 ISOLATION JOINT WITH ASPHALTIC FILLER & SEALANT
- 15 CONTINUOUS FOOTING REINFORCEMENT TO RUN THROUGH COLUMN FOUNDATIONS. SEE SECTION 11/S3.1 FOR REINFORCEMENT INFORMATION.
- 16 COLUMN FOOTING REINFORCEMENT SEE FOUNDATION SCHEDULE.
- 17 CONTINUOUS FOOTING BEYOND
- 18 DRAWING, SEE SITE DEVELOPMENT DRAWINGS FOR ADDITIONAL INFORMATION.
- 19 SEE GRADING PLAN FOR FINISHED GRADES.
- 20 STEEL BOLLARD SEE SITE PLAN.
- 21 #4x5'-0" DOWEL CENTERED IN SLAB 30'
- 22 (3) #3 TIES @ 12" O.C.
- 23 #3 TIES @ 12" O.C.
- 24 8" METAL STUD SEE S4 FOR STUD GAUGE AND SPACING - PROVIDE 1/2" ANCHOR BOLTS @ 48" O.C. (7" EMBEDMENT & 2" HOOK).
- 25 EIFS VENEER. SEE ARCHITECTURAL
- 26 REFER TO ARCHITECTURAL DRAWINGS FOR EXTERIOR WALL SHEATHING, FLASHING, AND GROUT SPACE BEHIND BRICK VENEER. FOR SHEATHING ATTACHMENT SEE SHEET S4.
- 27 ANCHOR BOLT CONFINEMENT REINFORCEMENT: (4) #6 BENT DOWELS
- 28 ADDITIONAL METAL STUD SEE S4 FOR SIZE, STUD GAUGE, AND SPACING - PROVIDE 1/2" ANCHOR BOLTS @ 48" O.C. (7" EMBEDMENT & 2" HOOK).



JS Smith Consulting Engineers, P.C.
Florida State Certificate of Authorization No. 20077
401 W. State St., Suite 800, Ft. Lauderdale, Florida 33301
PHONE: (754) 544-1100 FAX: (754) 544-1101

PROJECT:
NEW O'REILLY AUTO PARTS STORE
463352 SR 200
YULEE, FL 32097

O'Reilly AUTO PARTS
CORPORATE OFFICES
233 SOUTH PATTERSON
SPRINGFIELD, MISSOURI 65802
(417) 862-2674 TELEPHONE

DRAWN BY: BTJ
CHECKED BY: AS
DATE: 10/19/18
REVISION:
PROJECT NUMBER: YUL
SHEET NUMBER: S3.2

Order Plans @

WWW.LIDDLING.COM