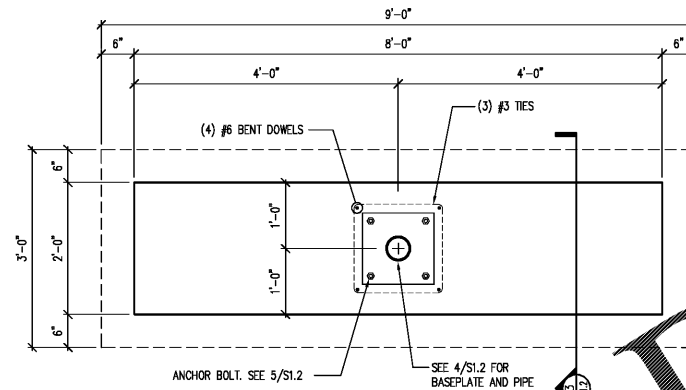


1 GROUND SIGN ELEVATION

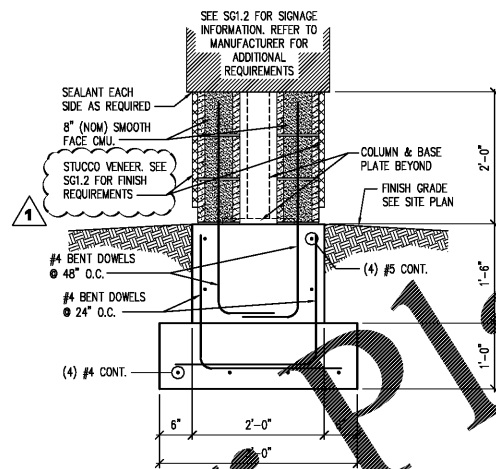
S1.2 SCALE: 1/2" = 1'-0"

NOTE:
VERIFY LOCATION PRIOR TO POURING TO
ASSURE NO INTERFERENCE WITH UTILITIES



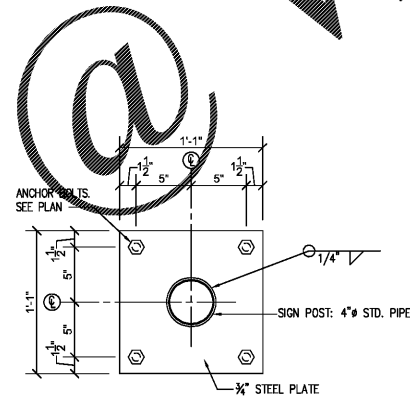
2 MONUMENT SIGN FOUNDATION PLAN

S1.2 SCALE: 3/4" = 1'-0"



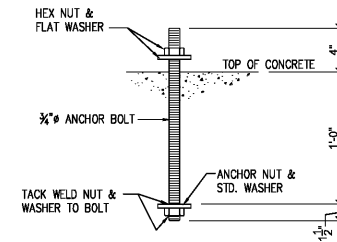
3 MONUMENT SIGN FOUNDATION SECTION

S1.2 SCALE: 3/4" = 1'-0"



4 SIGN BASE PLATE

S1.2 SCALE: 1 1/2" = 1'-0"



BOLT MATERIAL MAY BE F1554 GR. 36, OR CONTINUOUSLY THREADED A36 ROD. ALL ANCHOR BOLTS SHALL BE CLEAN AND FREE OF ALL OIL, GREASE, ICE, ETC.

5 ANCHOR BOLT DETAIL

S1.2 SCALE: 1 1/2" = 1'-0"

GENERAL NOTES

- A. REFER TO PROJECT MANUAL FOR ADDITIONAL REQUIREMENTS.
- B. CONTACT OWNER'S OR TENANT'S DESIGNATED PROJECT ADMINISTRATOR FOR QUESTIONS OR CLARIFICATIONS.
- C. SITE SIGN FOUNDATIONS AND ROUGH-IN ELECTRICAL TO BE PROVIDED BY CONTRACTOR.
- D. REQUIRED GOVERNMENTAL PERMITS FOR PERMANENT TYPE SIGNAGE TO BE PROVIDED BY OWNER OR OTHERS (N.I.C.).

DESIGN CRITERIA

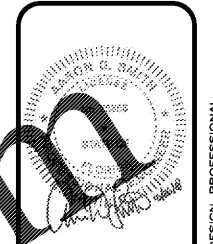
- A. GOVERNING BUILDING CODE
2017 FLORIDA BUILDING CODE
- B. WIND CRITERIA
RISK CATEGORY II
B.2. $V_{w1} = 130$ mph
B.3. $V_{w2} = 101$ mph
B.4. EXPOSURE

STRUCTURAL NOTES

- A. A GEOTECHNICAL ANALYSIS HAS BEEN PERFORMED ON THIS SITE. SEE PROJECT MANUAL FOR GEOTECHNICAL INFORMATION. APPROPRIATE RECOMMENDATIONS STATED IN THE GEOTECHNICAL REPORT ISSUED BY UNIVERSAL ENGINEERING SCIENCES DATED JUNE 28, 2018 SHALL BE FOLLOWED.
- B. THESE FOUNDATIONS HAVE BEEN DESIGNED FOR A VERTICAL SOIL BEARING OF 2500 psf
- C. BRACE POLE SIGN AGAINST LATERAL FORCES UNTIL CONCRETE HAS REACHED SPECIFIED COMPRESSIVE DESIGN STRENGTH.
- D. ALL READY MIX CONCRETE SHALL BE 4000 psi FOR ALL CONCRETE PLACEMENT. DO NOT ADD WATER TO THE MIX DESIGN AFTER DELIVERY TO THE PROJECT SITE.
- E. EXPOSED EXTERIOR CONCRETE SHALL BE AIR-ENTRAINED (TOTAL AIR CONTENT = 5%).
- F. HOT OR COLD WEATHER CONCRETING SHALL BE IN ACCORDANCE WITH ACI 305-89 AND ACI 308-1-90, RESPECTIVELY.
- G. ANY CONCRETE PLACED BY MEANS OF PUMPING SHALL BE DONE IN ACCORDANCE WITH ACI 304.2R (82).
- H. CEMENT SHALL CONFORM TO A.S.T.M. C-150 TYPE III.
- I. AGGREGATES SHALL CONFORM TO A.S.T.M. C-33 FOR NORMAL WEIGHT CONCRETE.
- J. READY MIX CONCRETE SHALL BE MIXED AND DELIVERED IN ACCORDANCE WITH A.S.T.M. C-94.
- K. ADMIXTURES MAY BE USED WITH THE APPROVAL OF THE STRUCTURAL ENGINEER. ADMIXTURES USED TO INCREASE THE WORKABILITY OF THE CONCRETE SHALL NOT BE CONSIDERED TO REDUCE THE CEMENT CONTENT. NO CALCIUM CHLORIDE ADMIXTURES ALLOWED.
- L. FABRICATOR QUALIFICATIONS: FABRICATOR MUST PARTICIPATE IN THE AISC QUALITY CONTROL PROGRAM AND BE DESIGNATED AN AISC-CERTIFIED PLANT.
- M. MATERIALS:
 - STRUCTURAL STEEL..... ASTM A992, GRADE 50ksi
 - PLATES, ANGLES, AND MISC STEEL..... ASTM A36ksi
 - ANCHOR RODS..... ASTM F1554, GRADE 36
 - HIGH STRENGTH BOLTS..... ASTM A325 (OF NORTH AMERICAN MANUFACTURE)
 - WELDING ELECTRODES..... AWS A5.1 (E70XX)
 - PIPE..... ASTM A53, GRADE B
 - ROUND HSS..... ASTM A500, GRADE B, $F_y = 42$ ksi

CMU NOTES

- A. CMU SHALL CONFORM TO CURRENT BUILDING CODE PROVISIONS.
- B. VERTICAL CELLS TO BE FILLED SHALL ALIGN TO MAINTAIN AN UNOBSTRUCTED VERTICAL SHAFT NOT LESS THAN 2"x3".
- C. PROVIDE 9 ga. LADDER TYPE JOINT REINFORCEMENT AT 16" O.C.
- D. CENTER VERTICAL REINFORCEMENT WITH 9 ga. HOT DIP GALVANIZED REBAR POSITIONERS 24" AT O.C.



JS Smith Consulting Engineers, P.C.
 Project State Certificate of Authorization No. 20077
 1801 W 27th St, 8th Fl., Suite 104, Fort Lauderdale, FL 33311
 PHONE: 954-564-1044 FAX: 954-564-1000

PROJECT:
NEW O'REILLY AUTO PARTS STORE
463352 SR 200
YULEE, FL 32097

O'Reilly AUTO PARTS
 CORPORATE OFFICES
 233 SOUTH PATTERSON
 SPRINGFIELD, MISSOURI 65802
 (417) 862-2674 TELEPHONE

DRAWN BY: BTJ
 CHECKED BY: AS
 DATE: 10/19/18
 REVISION: ADD001
 10/26/18
 PROJECT NUMBER: YUL
 SHEET NUMBER

S1.2

Order Plans

WWW.LDILINE.COM

COPYRIGHT 2018 - DESIGNS, DRAWINGS AND SPECIFICATIONS ARE INSTRUMENTS OF SERVICE AND ARE THE PROPERTY OF THE DESIGN PROFESSIONAL. REPRODUCTION PROHIBITED WITHOUT THE EXPRESSED WRITTEN CONSENT OF THE DESIGN PROFESSIONAL.