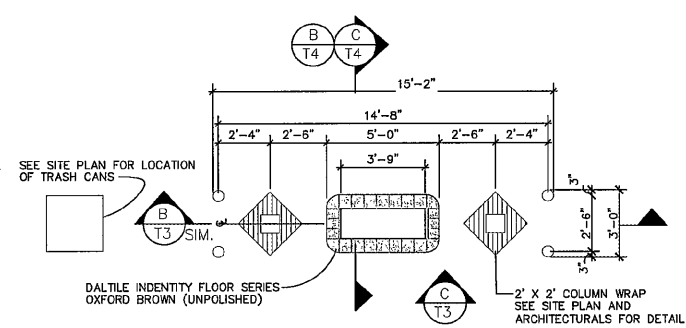
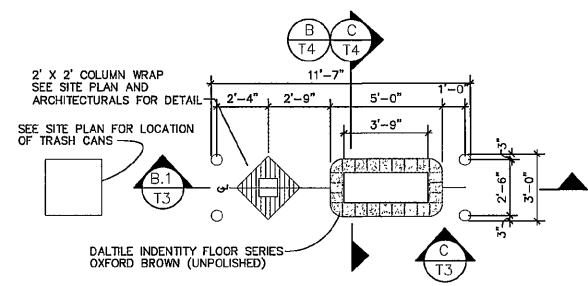


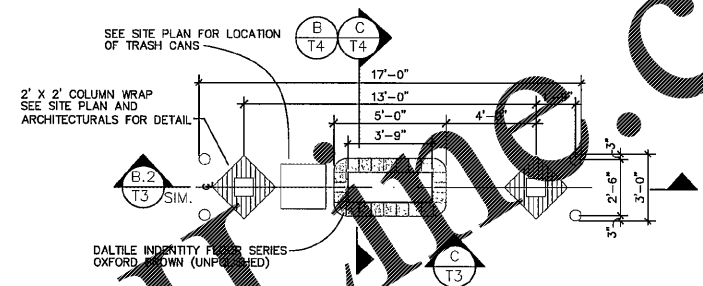
- * NOTES:**
1. FUEL NOZZLES TO BE UL LISTED, SEE SPECIFICATION SHEET T-4.
 2. FUEL HOSE BREAKAWAYS TO BE UL LISTED, SEE SPECIFICATION SHEET T-4.
 3. SHEAR VALVE TO BE RIGIDLY ANCHORED, SEE SPECIFICATION SHEET T-4.
 4. FACILITY SHALL BE PROVIDED WITH NFPA 30A, 9.2.5.2/NFPA 10 HIGH FLOW FIRE EXTINGUISHER: AMEREX MODEL NO. 760, 4A:60B:C, 20 LB CAPACITY, OR EQUAL, WITHIN 100 FT OF ALL DISPENSING PUMPS & FILL PIPE OPENINGS.



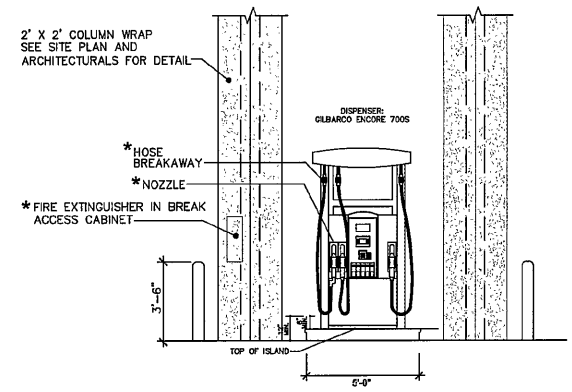
A PUMP ISLAND DETAIL
T3 1. SEE SITE PLAN FOR SPECIFIC ISLAND LAYOUT(S) N.T.S.



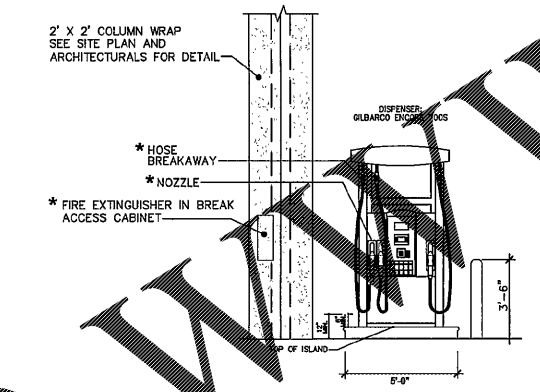
A.1 TYPICAL PUMP ISLAND DETAIL
T3 1. SEE SITE PLAN FOR SPECIFIC ISLAND LAYOUT(S) N.T.S.



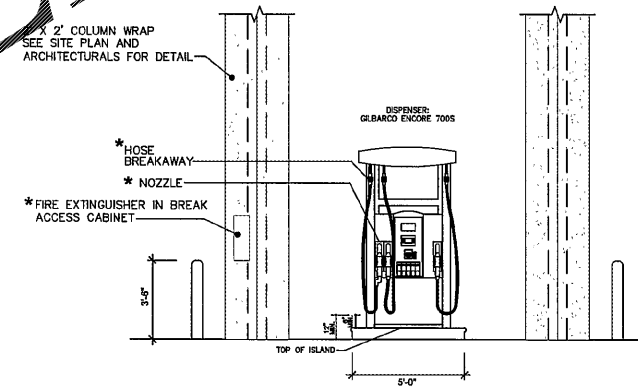
A.2 PUMP ISLAND DETAIL
T3 1. SEE SITE PLAN FOR SPECIFIC ISLAND LAYOUT(S) N.T.S.



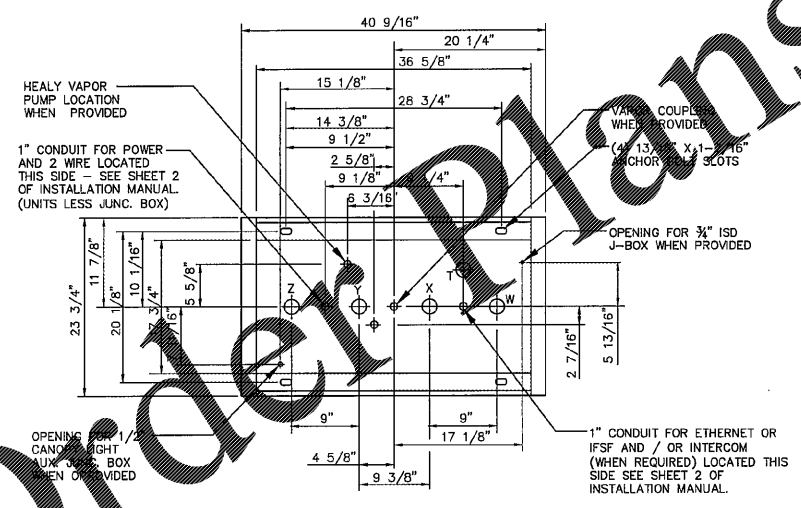
B PUMP ISLAND ELEVATION
T3 GILBARCO ENCORE DISPENSER N.T.S.



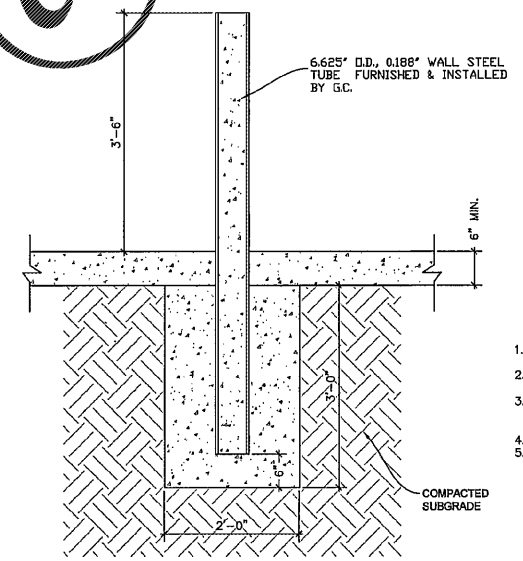
B.1 PUMP ISLAND ELEVATION
T3 GILBARCO ENCORE DISPENSER N.T.S.



B.2 PUMP ISLAND ELEVATION
T3 GILBARCO ENCORE DISPENSER N.T.S.

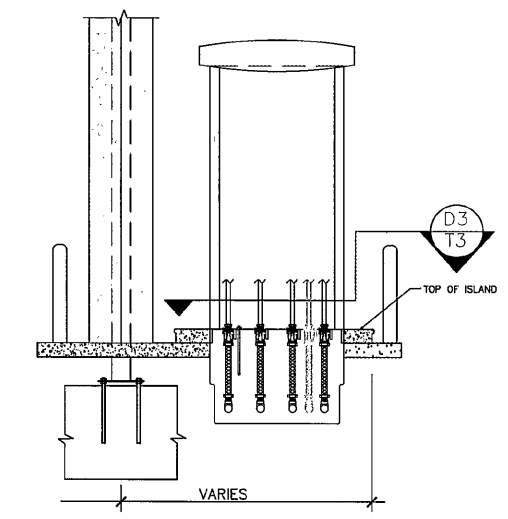


D TYP. DISPENSER BASE DIAGRAM (PIPE & CONDUIT LOCATIONS)
T3 GILBARCO ENCORE 700 DISPENSER (3+1+1) N.T.S.



D.5 PROTECTIVE BOLLARD DETAIL
T3 N.T.S.

1. 6" SCHEDULE 40 SMOOTH SEAMLESS PIPE FURNISHED AND INSTALLED GENERAL CONTRACTOR.
2. BUMPER POSTS TO BE PLUMB AND ALIGNED IN A STRAIGHT LINE AND FILLED WITH CONCRETE.
3. TOPS TO BE GROUND SMOOTH W/ SQUARE EDGE, THE PRIMED WITH "END RUST" BY DURO AND PAINTED WITH INDUSTRIAL OIL BASED ENAMEL COLOR TO MATCH DECORATIVE LIGHT POLES.
4. REFER TO PAVING PLAN FOR EXACT CONCRETE THICKNESS.
5. REFER TO PAVING PLAN FOR CONCRETE COMPRESSIVE STRENGTH & SUBGRADE COMPACTION REQUIREMENTS.



C TYP. PUMP ISLAND SECTION
T3 N.T.S.

ISSUE/REVISION RECORD	DATE	DESCRIPTION

Racetrac
 RACETRAC PETROLEUM, INC.
 3225 CUMBERLAND BOULEVARD
 SUITE 100
 ATLANTA, GEORGIA 30339
 (770) 491-7000

PROJECT NAME
 PEACHTREE PKWY & ENGINEERING DRIVE

PEACHTREE CORNERS GEORGIA
 SWC of PEACHTREE PKWY and ENGINEERING DRIVE

RACETRAC PROJECT NUMBER
 1201

PLAN SERIES
 2011 BR-RH-M90 0801

PLAN MODIFICATION NOTICE

NO MODIFICATIONS APPLIED
 MODIFICATIONS APPLY

SPB NO. / A DATE / A

STANDARD PLAN BULLETINS (SPB) MODIFY THE PLAN SERIES SET NOTED ABOVE. THE SPB GIVEN ABOVE REPRESENTS THE LATEST MODIFICATION INCORPORATED TO THIS PLAN SERIES SET. CONTACT RACETRAC ENGINEERING AND CONSTRUCTION FOR ALL BULLETINS.

PROFESSIONAL SEAL



RICHARD R. MORRIS
 GA REG # PE013997

PROJECT NUMBER
 18011

SHEET TITLE

ISLAND DETAILS

SHEET NUMBER

RT-T3.0

ISSUED FOR CONSTRUCTION