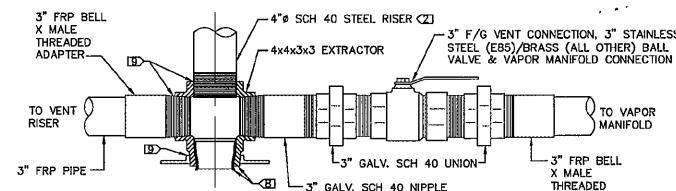
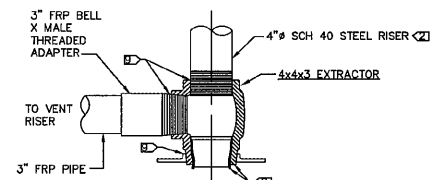


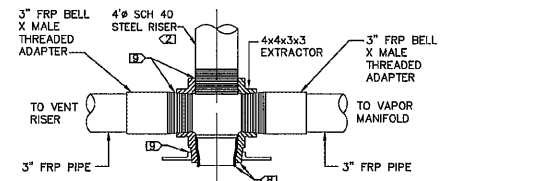
TANK OVERFLOW PREVENTION ALARM & TANK LEVEL MONITOR
N.T.S.



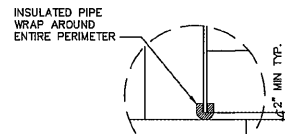
B1 VAPOR CROSS CONNECTOR
N.T.S.



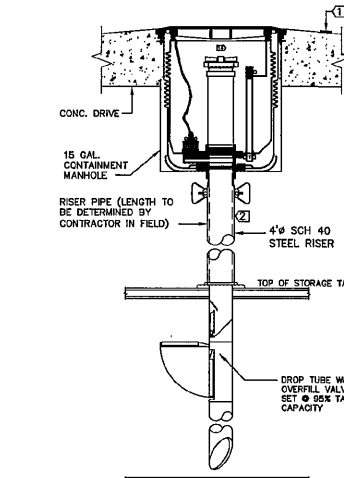
B3 VAPOR CROSS CONNECTOR
N.T.S.



B4 VAPOR CROSS CONNECTOR
N.T.S.



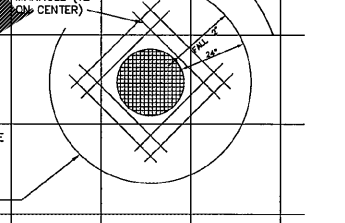
F MH EDGE WRAP DETAIL
N.T.S.



D DBL. WALL SPILL CONTAINMENT 15 GALLON, NPT BASE**
N.T.S.

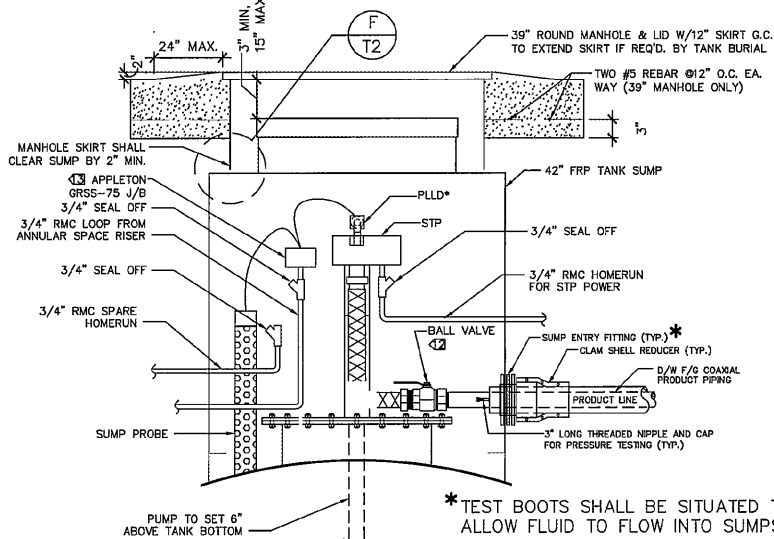
NOTES:
 1. INSTALL IDENTIFICATION MARKER.
 2. THOROUGHLY HAND CLEAN WITH WIRE BRUSH. APPLY COAL TAR. WRAP WITH TEST 3M TAPE.
 3. INSTALL GROUNDING CONNECTOR TO RISER.
 4. ALL REMOTE STAGE 1 VAPOR RECOVERY PIPE AND FITTINGS SHALL BE FRP.
 5. MAINTAIN 2\"/>

DO NOT USE THREAD SEALANT ON THREADS COMMON TO GAGE & BASE. WHEN INSTALLING GAGE INTO BASE, LUBRICATE THREADS WITH LIGHT COATING OF GREASE. DO NOT OVERTIGHTEN.
 1. APPLY APPROVED THREAD SEALANT.
 2. BLANK
 3. SINGLE BRASS BALL VALVE, FLEX CONNECTOR & ELBOW ASSEMBLY IN EACH REG. PREM. & DSL. STP SUMP. SINGLE STAINLESS STEEL BALL VALVE, FLEX CONNECTOR & ELBOW ASSEMBLY IN E85 STP SUMP.
 4. EXPLOSION PROOF BOX MOUNTED SO THAT ACCESS OPENING FACING UP.
 5. SPACE BETWEEN TOP OF CAP AND LID TO BE MIN. 3\"/>

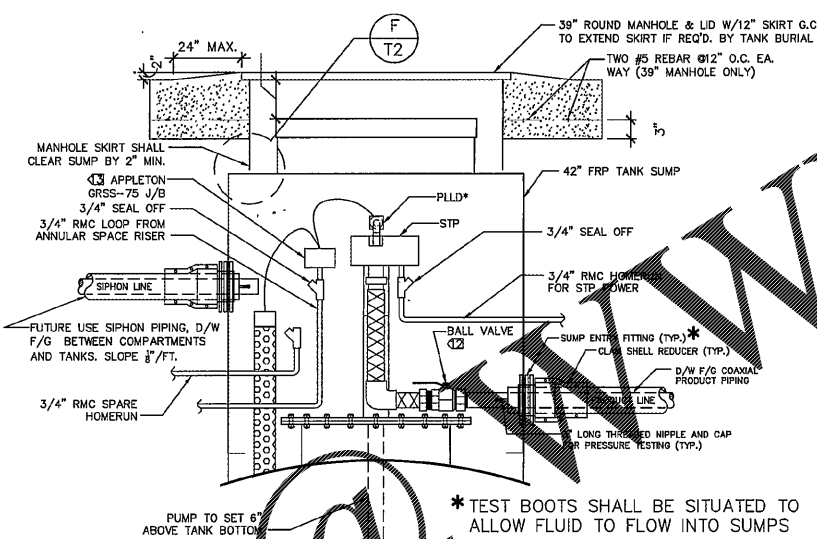


E TYPICAL MANHOLE PLAN
N.T.S.

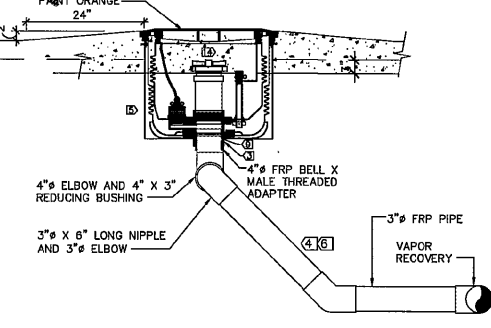
**** NOTE: PAINT ALL AND VAPOR M/H COVERS & RINGS, ALL TANKS PER API CODES AS FOLLOWS:**
 PRODUCT COLOR
 UNLEADED REGULAR: WHITE
 UNLEADED PREMIUM: RED
 E-O GASOLINE: BLUE
 E-85 GASOLINE: BRONZE W/WHITE "E-O" STENCIL
 DIESEL: YELLOW
 VAPOR RECOVERY: ORANGE



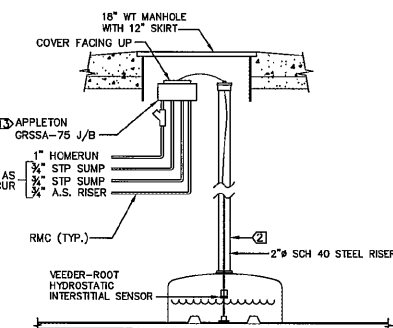
H1 SUBMERGED PUMP SUMP DETAIL (REG.)
N.T.S.



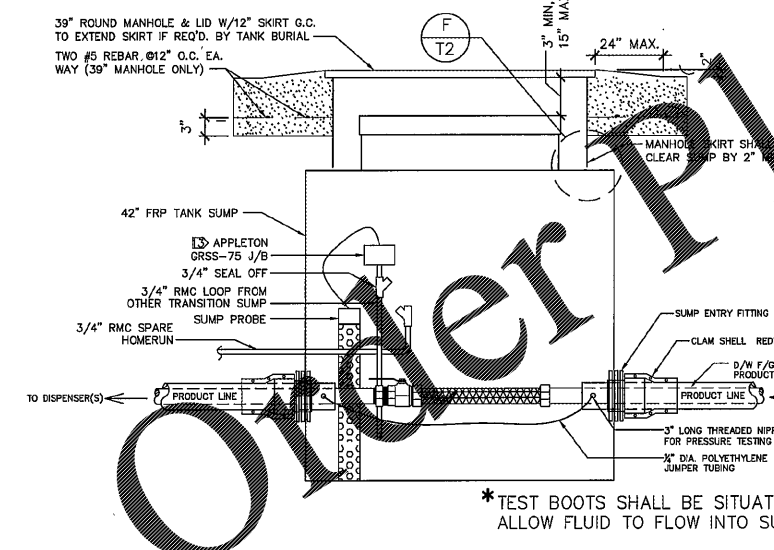
H2 SUBMERGED PUMP SUMP DETAIL (PREM, E85)
N.T.S.



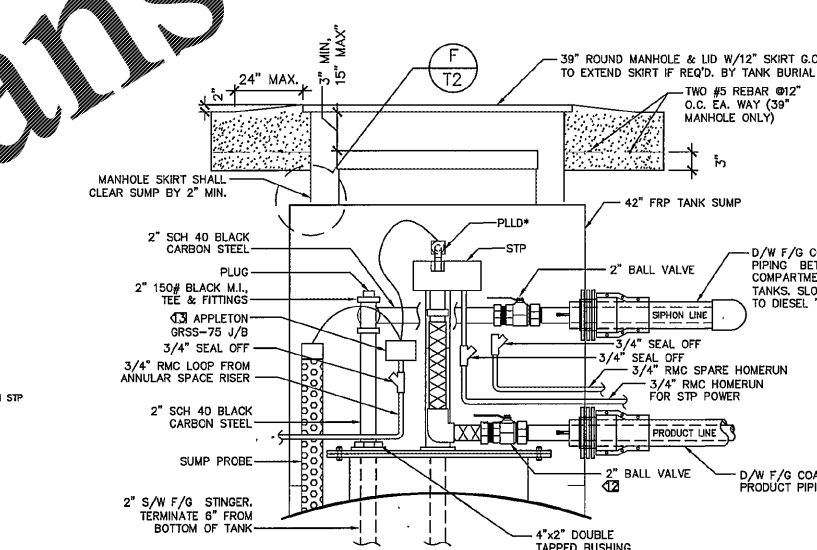
G1 STAGE I VAPOR RECOVERY**
N.T.S.



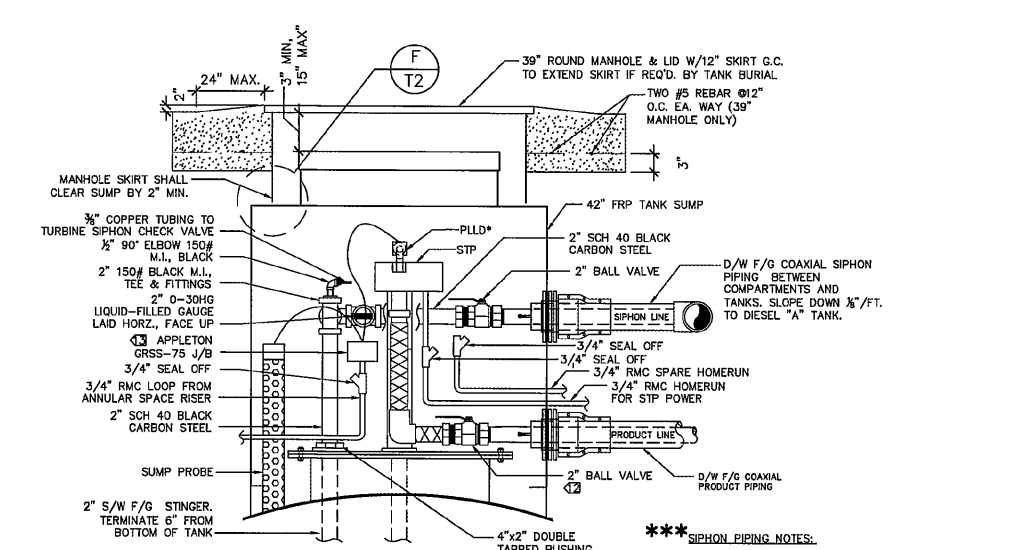
G4 UST INTERSTITIAL MONITOR
N.T.S.



H3 TRANSITION SUMP DETAIL
N.T.S.



H4 SUBMERGED PUMP SUMP AND SIPHON PIPING DETAIL (DIES "A", DIES "B")***
N.T.S.



H5 DIESEL "A" TANK DIESEL "B" TANK
N.T.S.

***** SIPHON PIPING NOTES:**
 1. 2\"/>

Racetrac
 SOFT COPY RIGHTS
 THESE PLANS ARE SUBJECT TO FEDERAL COPYRIGHT LAWS: ANY USE OF SAME WITHOUT THE EXPRESSED WRITTEN PERMISSION OF RACETRAC PETROLEUM, INC. IS PROHIBITED. 2011 RACETRAC PETROLEUM, INC.

ISSUE/REVISION	RECORD	DATE	DESCRIPTION

Racetrac
 RACETRAC PETROLEUM, INC.
 3225 CUMBERLAND BOULEVARD
 SUITE 100
 ATLANTA, GEORGIA 30339
 (770) 451-7600

PROJECT NAME
PEACHTREE PKWY & ENGINEERING DRIVE

PEACHTREE CORNERS GEORGIA
SWC of PEACHTREE PKWY and ENGINEERING DRIVE

RACETRAC PROJECT NUMBER
1201

PLAN SERIES
2011 BR-RH-M90 0801

PLAN MODIFICATION NOTICE
 NO MODIFICATIONS APPLIED
 MODIFICATIONS APPLY
 SPB NO. N/A DATE N/A

STANDARD PLAN BULLETINS (SPB) MODIFY THE PLAN SERIES SET NOTED ABOVE. THE SPB GIVEN ABOVE REPRESENTS THE LATEST MODIFICATION INCORPORATED TO THIS PLAN SERIES SET. CONTACT RACETRAC ENGINEERING AND CONSTRUCTION FOR ALL BULLETINS.

PROFESSIONAL SEAL
 REGISTERED PROFESSIONAL ENGINEER
 RICHARD R. MORRIS
 GA REG # PE013997

PROJECT NUMBER
18011

SHEET TITLE
TANK & PIPING DETAILS

SHEET NUMBER
RT-T2.0

ISSUED FOR CONSTRUCTION