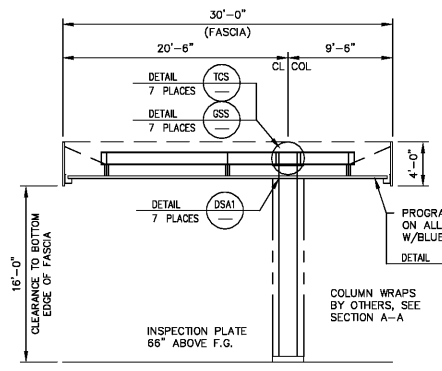


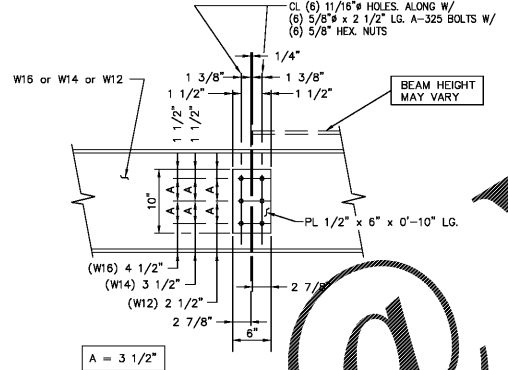
2" x 3" WHITE EMBOSSED  
 GRAND SPAN 16.0" STEEL DECKING  
 144 PANELS @ 29'-0"  
 .032 ALUMINUM GUTTER SYSTEM  
 COLOR TO MATCH DECK  
 NOTE: CANOPY BEAM CLIPS MUST BE  
 INSTALLED ON BOTH SIDES OF THE  
 PURLIN, ATTACHING THE 1st FOUR (4)  
 DECK PANELS ON BOTH ENDS OF THE  
 CANOPY. ALL OTHER LOCATIONS SEE  
 DETAIL CP1  
 STITCH DECKING WITH TEK @ MIDSPAN  
 BETWEEN PURLINS, 2" MINIMUM FROM  
 FLAT SIDE OF DECK PAN. (INDICATED  
 ON ROOF PLAN WITH DASHED LINE)  
 DETAIL CP1

**CANOPY ROOF PLAN**

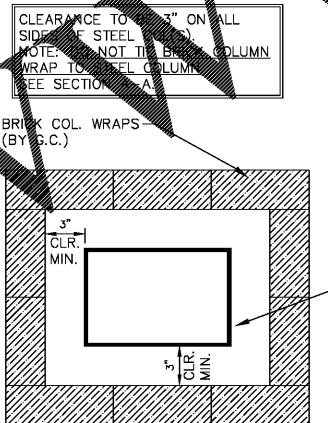
NOTE: TOP PLATES FOR EVEN  
 NUMBERED COLUMNS TO BE 1 1/4"  
 HIGHER THAN TOP PLATES FOR ODD  
 NUMBERED COLUMNS. BASE PLATES  
 TO BE SET LEVEL



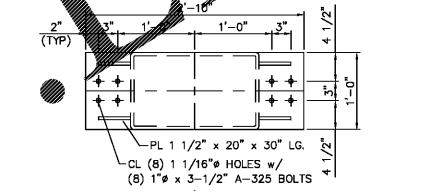
**MAIN FRAME DETAIL**



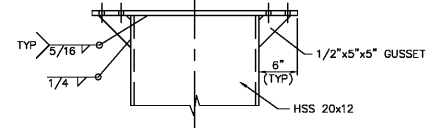
**DETAIL WPS**



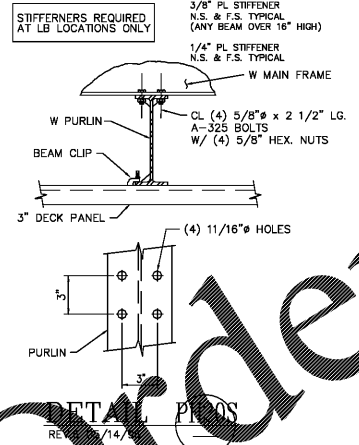
**SECTION A-A**



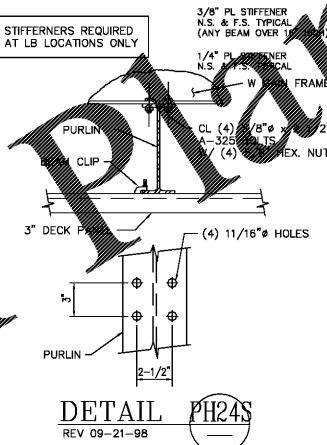
**DETAIL TCS**



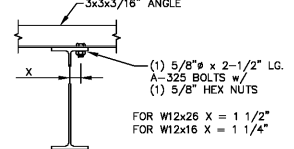
**DETAIL GSS**



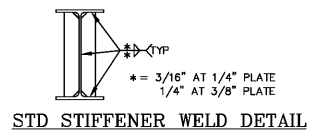
**DETAIL PH24S**



**DETAIL AP1**



**DETAIL AP15**



**STD STIFFENER WELD DETAIL**

ANCHOR BOLT SHIPPING REQUIREMENTS		
ANCHOR BOLT USE	BOLT DESCRIPTION	QUANTITY
BCS-BASE PLATE (7 PLACES)	2" x 36" LONG HEX HEAD ANCHOR BOLT	28
HARDWARE LIST BREAK-DOWN (REFERENCE ONLY)		
ITEM USE (# OF PLACES FOR CHECKING ONLY)	DESCRIPTION	QUANTITY
TCS-TOP PLATE (7 PLACES)	1" x 3-1/2" BOLTS w/ NUTS	56
WPS-BEAM SPLICE (9 PLACES)	5/8" x 2-1/2" BOLTS w/ NUTS	54
WPS-BEAM SPLICE (9 PLACES)	6x10x1/2" PLATE	9
PH24S-CONNECTION (12 PLACES)	5/8" x 2-1/2" BOLTS w/ NUTS	48
PH24S-CONNECTION (9 PLACES)	5/8" x 2-1/2" BOLTS w/ NUTS	36
AP1-CONNECTION (42 PLACES)	5/8" x 2-1/2" BOLTS w/ NUTS	42
AP15-CONNECTION (24 PLACES)	5/8" x 2-1/2" BOLTS w/ NUTS	24
LB2162-CONNECTION (7 PLACES)	5/8" x 2-1/2" BOLTS w/ NUTS	21
LB2162-CONNECTION (7 PLACES)	PREFAB 1/4" x 2" x 74 1/8" BRACE STRAP	7

CANOPY SHIPPING STEEL HARDWARE MANIFEST						
QUANTITY	DESCRIPTION	QUANTITY SHIPPED	PULLED BY	CHECKED BY	TRAILER #	LOADED BY
225	5/8" x 2-1/2" BOLTS w/ NUTS					
56	1" x 3-1/2" BOLTS w/ NUTS					
9	(WPS) 6x10x1/2" PLATE					
7	PREFAB 1/4" x 2" x 74 1/8" BRACE STRAP					

CANOPY SHIPPING MANIFEST						
		TOP PLATE	BASE PLATE	PLATE DRAINS	W/S & CONDUIT	VENT
4	MF-1 W21x62 (23'-0")					
3	MF-2 W21x62 (23'-0")					
1	PUR-1 W12x26 (44'-11 7/8")					
1	PUR-2 W12x26 (44'-11 7/8")					
1	PUR-3 W12x26 (44'-11 7/8")					
1	PUR-4 W12x16 (49'-11 3/4")					
2	PUR-5 W12x16 (49'-11 3/4")					
1	PUR-6 W12x16 (52'-2 3/4")					
2	PUR-7 W12x16 (52'-2 3/4")					
1	PUR-8 W12x26 (44'-11 7/8")					
1	PUR-9 W12x26 (44'-11 7/8")					
1	PUR-10 W12x26 (44'-11 7/8")					
6	STR-1 L3x3x3/16" (23'-0")					
6	STR-2 L3x3x3/16" (14'-0 7/16")					
6	STR-3 L3x3x3/16" (14'-0 7/16")					
8	STR-4 L3x3x3/16" (23'-0")					
7	COL 1 THRU 7 HSS20x12x1/2"					
100	SIDE OUTRIGGERS @ 48" O.C.					
18	END OUTRIGGERS @ 48" O.C.					
1-LOT	HARDWARE					

LAWRENCE R. PILON/ PROFESSIONAL ENGINEER  
 51 MAPLEVIEW DRIVE/PENNELLSVILLE, NY 13132  
 (315) 668-0039

**ERECTION NOTES:**  
 REVIEW PLANS & DETAILS PRIOR TO INSTALLATION.  
 INSTALL BEAMS ACCORDING TO MARKED END #'S ON ROOF PLAN.  
 BEAM OVERHANG IS 4" LONGER ON RIGHT HAND END OF CANOPY.  
 IF APPLICABLE, SAME APPLIES FOR BEAM OVERHANG AT TEE.  
 THIS IS TO ALLOW FOR DECK PANEL GROWTH.  
 INSTALL DECK PANELS FROM LEFT TO RIGHT ON MAIN CANOPY . IF  
 APPLICABLE SAME APPLIES FOR TEE.  
 SEE ROOF PLAN FOR PROPER SLOPE AND HOW SLOPE IS ACQUIRED.  
 SEE FASCIA DETAILS WHICH ALSO REFERS BACK TO GENERAL NOTES  
 FOR OUTRIGGER SPACINGS.  
 \*BP FASCIA ONLY\* START FASCIA AT LEFT END - SEE DIMENSION  
 FOR LOCATION OF FIRST T4 PANEL.

**MCGEE CORPORATION**  
 12701 East Independence  
 Blvd. P.O. Box 1375  
 Matthews, NC 28106-1375  
 Phone: (704) 882-1500  
 Fax: (704) 882-5589

PR. JOB NO. FINAL JOB NO. DRAWING NO.  
 56128 56128 P056128A  
**RACETRAC PETROLEUM INC #1201**  
**PEACHTREE PKWY & ENGINEERING DR**  
**PEACHTREE CORNERS, GA 30010 (WINNETT)**  
 SCALE: 1/8"=1'-0" IN ACCORDANCE WITH REV. LETTER: A DRAWN BY: JWG  
 DATE: 2/13/18 CHECK'D BY:  
**METAL CANOPY 30'-0" x 193'-0"**  
**ROOF PLAN & DETAILS**  
 SHEET NO. 2 OF 4

