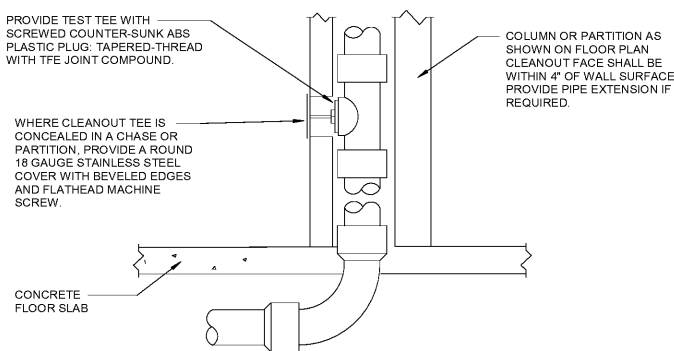
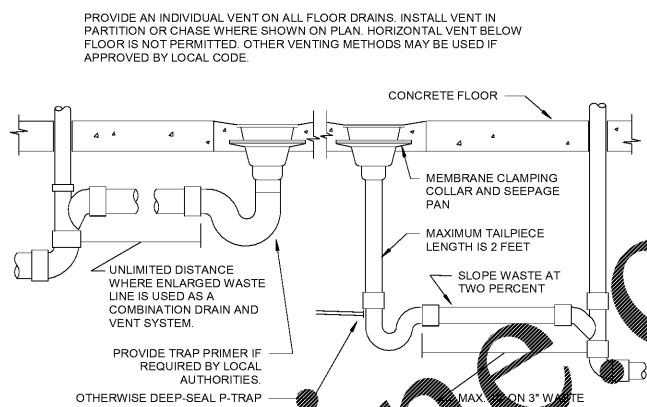


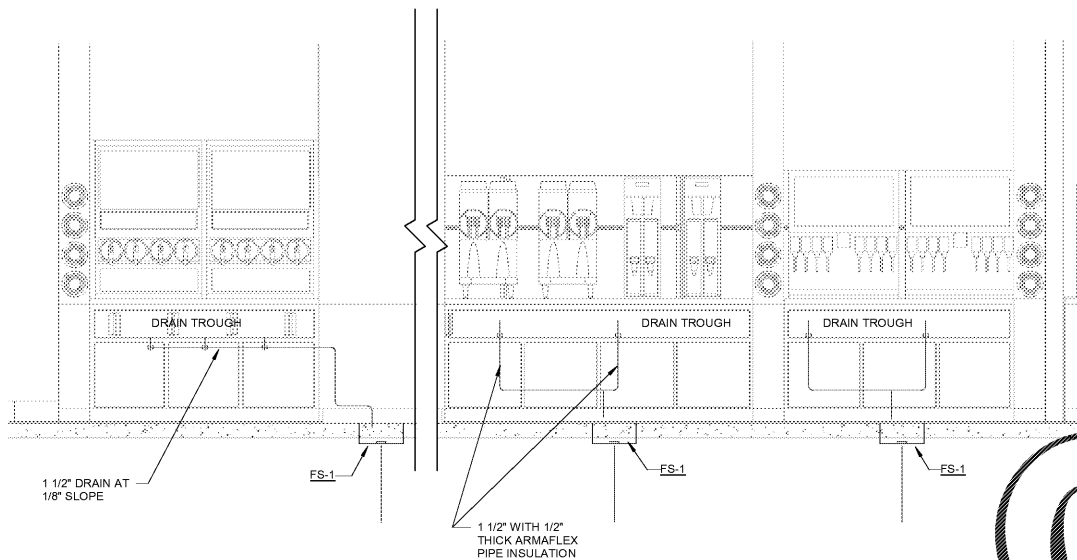
6 OVEN-STEAMER DRAIN DETAIL
N.T.S.



5 WALL CLEANOUT DETAIL
N.T.S.



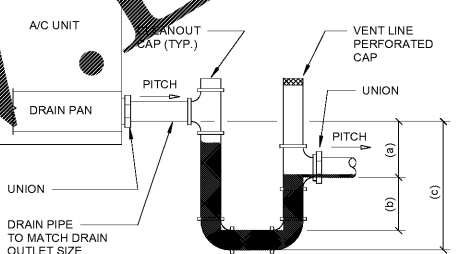
4 FLOOR DRAIN DETAIL
N.T.S.



2 CABINETRY TROUGH DRAIN DETAIL
N.T.S.

NOTE:
PROVIDE WCO WHERE SHOWN ON PLAN, AND ON SANITARY WASTE BRANCHES NOT SERVED WITH A FLOOR CLEANOUT. LOCATE ABOVE FIXTURE FLOOD RIM WITHIN 4" OF FLOOR. CONSULT LOCAL CODES FOR OTHER WCO REQUIREMENTS.

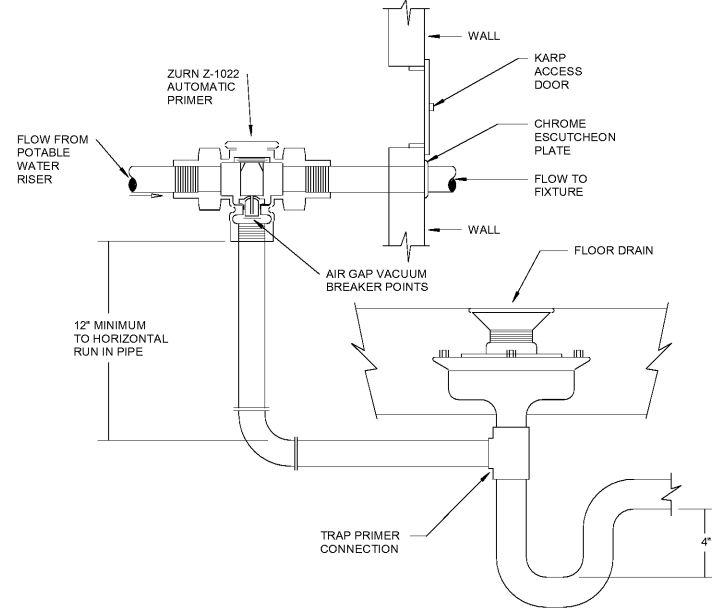
LOCATE FLOOR DRAINS WHERE SHOWN ON DIMENSIONS TO ARCHITECTURAL PLAN. IF FLOOR STRUCTURE INTERFERES WITH FLOOR DRAIN, MAKE SIDEWAYS IF POSSIBLE. OTHERWISE MOVE BACK ALWAYS LOCATE WHERE EASIEST ACCESSIBLE, BUT NOT IN FOOT TRAFFIC IF LOCATION IS FLOOR SLAB OR GRADE. PROVIDE BACKFILL PER SPECIFICATIONS. IF CONCRETE FLOOR IS NOT EXISTING, SET DRAIN IN PLACE AND POUR AROUND IT. IF CONCRETE FLOOR EXISTS, DRAW CUT OR CORE DRILL IT. SET DRAIN IN PLACE AND POUR AROUND IT. RECESS TOP OF FLOOR DRAIN 1/2" BELOW FLOOR SURFACE TO SLOPE FLOOR TO IT.



3 DRAW THRU UNIT CONDENSATE TRAP
N.T.S.

NOTES:
1. ALLOW SUFFICIENT SPACE BELOW DRAIN PAN FOR TRAP
2. PITCH DRAIN FOR PROPER RUNOFF
3. MANUALLY PRIME FILL TRAP BEFORE START-UP TO FORM INITIAL DRAIN SEAL
4. SUPPORT LENGTHY DRAIN LINES TO PREVENT SAG AND CONDENSATE OVERFLOW.
(a) THIS DIMENSION IN INCHES MUST BE EQUAL TO THE MAXIMUM FAN SUCTION (NEGATIVE) STATIC PRESSURE IN INCHES WG (WITH DIRTY FILTERS, COILS, AND MAXIMUM AIR FLOW) + 1" W.G.
(b) THIS DIMENSION IN INCHES MUST BE EQUAL TO MIN. 1/2 OF THE (a) ABOVE
(c) EQUALS (a) + (b) + PIPE DIA. + INSULATION

THIS STANDARD DETAIL MUST BE REVIEWED AND SITE ADAPTED BY CONTRACTOR PRIOR TO USE FOR FINAL EQUIPMENT.



1 TRAP PRIMER DETAIL
N.T.S.

Order Plans @

RaceTrac
COPYRIGHT NOTICE
THESE PLANS ARE SUBJECT TO FEDERAL COPYRIGHT LAWS: ANY USE OF SAME WITHOUT THE EXPRESSED WRITTEN PERMISSION OF RACETRAC PETROLEUM, INC. IS PROHIBITED. 2016 RACETRAC PETROLEUM INC.

DESIGN PROFESSIONALS
HILLFOLEYROSSI & ASSOCIATES
ARCHITECTURE
ENGINEERING
3680 Pleasant Hill Road
Suite 200
Duluth, Georgia 30096
p 770.622.9858
f 770.622.9535
www.hillfoleyrossi.com

© Copyright (as dated below)
This drawing and all reproductions thereof are the property of Hillfoleyrossi & Associates, LLC (HRA). It is intended for the exclusive use of the project named herein. Reproduction without the written consent of HRA is prohibited. All rights are to be returned to HRA upon project completion.

ISSUE/REVISION RECORD	
DATE	DESCRIPTION
05/04/18	ISSUED FOR PERMIT

RaceTrac
RACETRAC PETROLEUM, INC.
200 GALLERIA PARKWAY SOUTHEAST
SUITE 900
ATLANTA, GEORGIA 30339
(770) 431-7600

PROJECT NAME
PEACHTREE PKWY & ENG.

PROJECT ADDRESS
**PEACHTREE CORNERS
5780 PEACHTREE PKWY
PEACHTREE CORNERS, GA
RACETRAC STORE NUMBER
1201**

PROTOTYPE SERIES 5.5K 2.0
2018 RH MO

PLAN MODIFICATION NOTICE
SPB NO. DATE

STANDARD PLAN BULLETINS (SPB) MODIFY THE PROTOTYPE SERIES SET NOTED ABOVE. THE LISTED SPB REPRESENTS THE LATEST MODIFICATION INCORPORATED TO THIS PROTOTYPE SERIES SET AT ORIGINAL RELEASE. THE ISSUE/REVISION RECORD COLUMN ABOVE LISTS ANY REVISIONS OR SPB INCORPORATED IN THIS SET AFTER THE ORIGINAL RELEASE. CONTACT RACETRAC ENGINEERING AND CONSTRUCTION FOR ANY SUBSEQUENT BULLETINS NOT INCORPORATED HEREIN.

PROFESSIONAL SEAL
GEORGIA REGISTERED PROFESSIONAL ENGINEER
JUSTIN B. TRACY
09/04/18

PROJECT NUMBER
18.703.00

SHEET TITLE
PLUMBING DETAILS

SHEET NUMBER
P431