

**ISSUE/REVISION RECORD**

DATE	DESCRIPTION
09/04/18	ISSUED FOR PERMIT

**RaceTrac**

RACETRAC PETROLEUM, INC.  
 200 GALLERIA PARKWAY SOUTHEAST  
 SUITE 900  
 ATLANTA, GEORGIA 30339  
 (770) 431-7600

**PROJECT NAME**  
**PEACHTREE PKWY & ENG.**

**PEACHTREE CORNERS**  
 5780 PEACHTREE PKWY  
 PEACHTREE CORNERS, GA  
 RACETRAC STORE NUMBER

**1201**

**PROTOTYPE SERIES 5.5K 2.0**  
**2018 RH MO**

**PLAN MODIFICATION NOTICE**

SPB NO.	DATE

STANDARD PLAN BULLETINS (SPB) MODIFY THE PROTOTYPE SERIES SET NOTED ABOVE. THE LISTED SPB REPRESENTS THE LATEST MODIFICATION INCORPORATED TO THIS PROTOTYPE SERIES SET AT ORIGINAL RELEASE. THE ISSUE/REVISION RECORD COLUMN ABOVE LISTS ANY REVISIONS OR SPB INCORPORATED IN THIS SET AFTER THE ORIGINAL RELEASE. CONTACT RACETRAC ENGINEERING AND CONSTRUCTION FOR ANY SUBSEQUENT BULLETINS NOT INCORPORATED HEREIN.

**PROFESSIONAL SEAL**



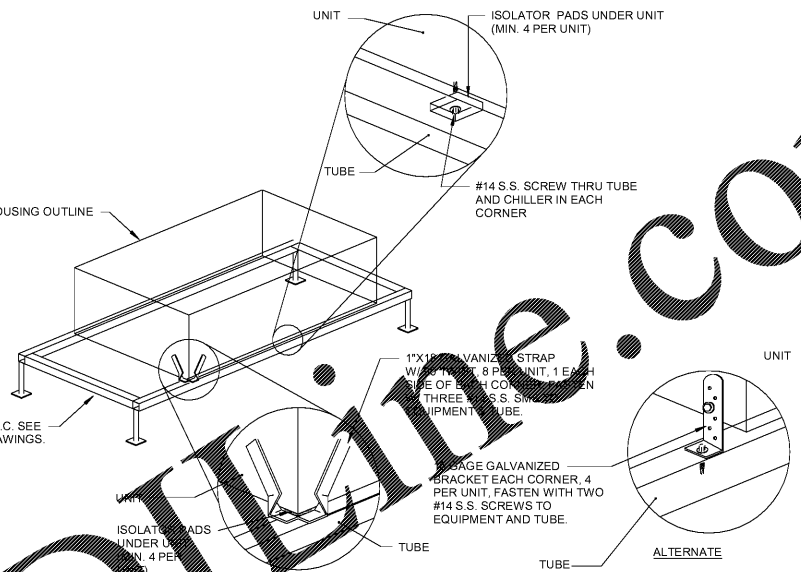
09/04/18

**PROJECT NUMBER**  
 18.703.00

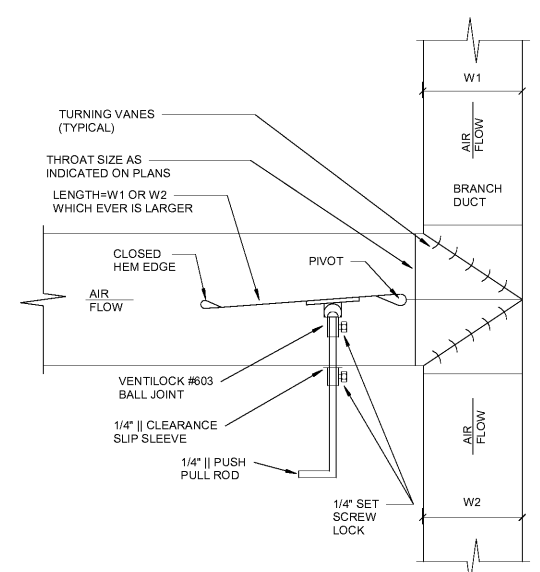
**SHEET TITLE**  
**MECHANICAL DETAILS**

**SHEET NUMBER**

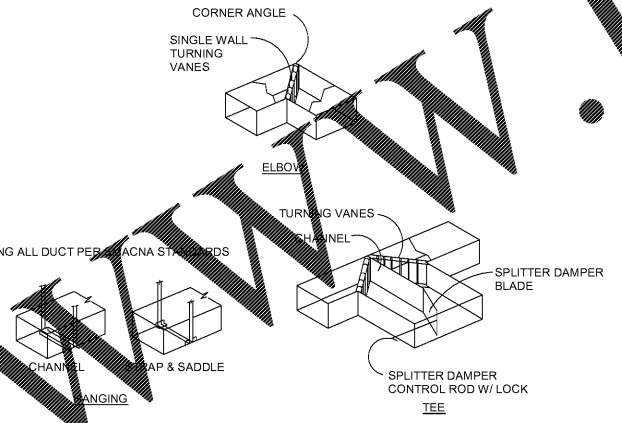
**M430**



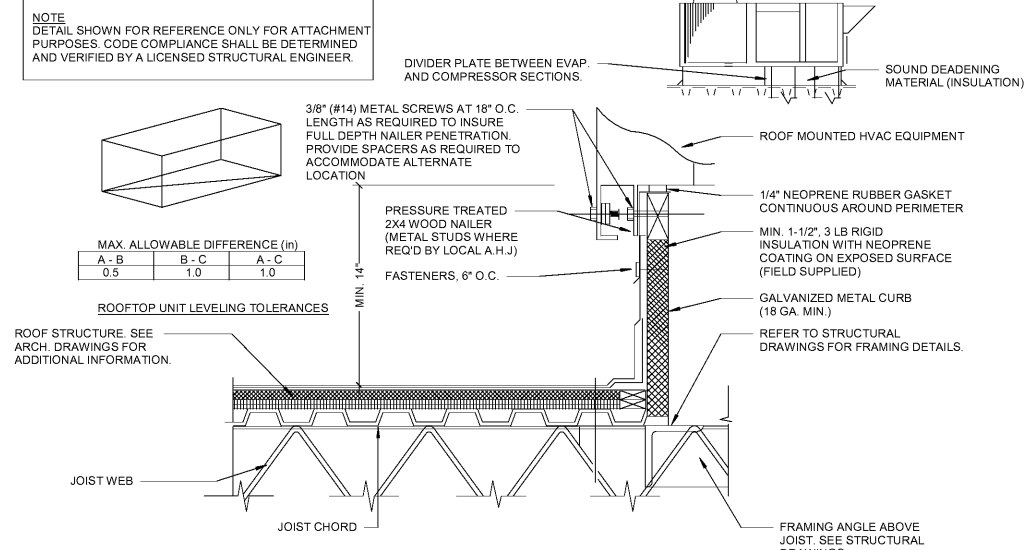
**8 ROOF EQUIPMENT MOUNTING RACK REDTAIL**  
 NTS



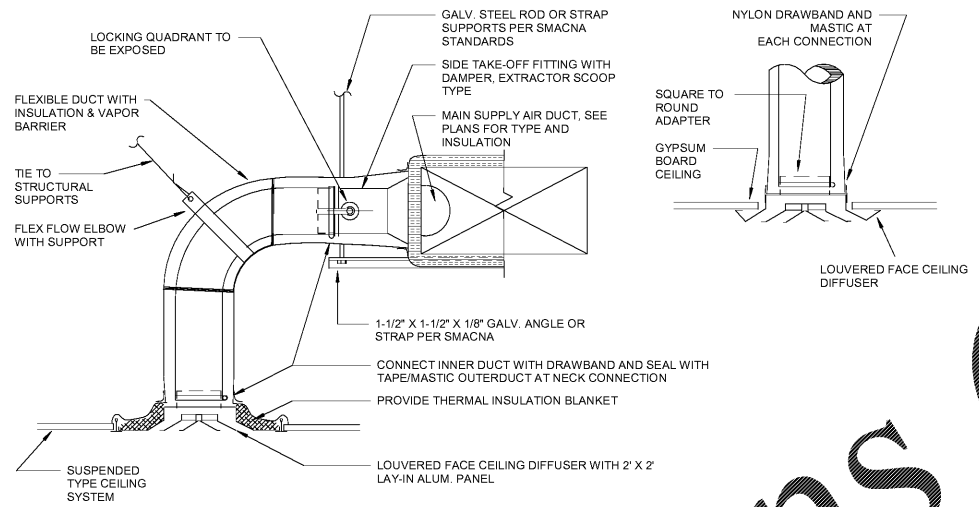
**7 RECTANGULAR TEE DUCT DETAIL**  
 NTS



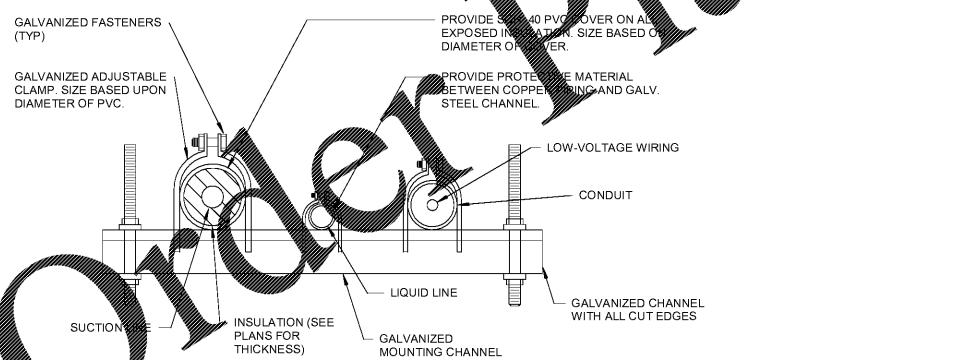
**4 HVAC DUCT DETAILS**  
 NTS



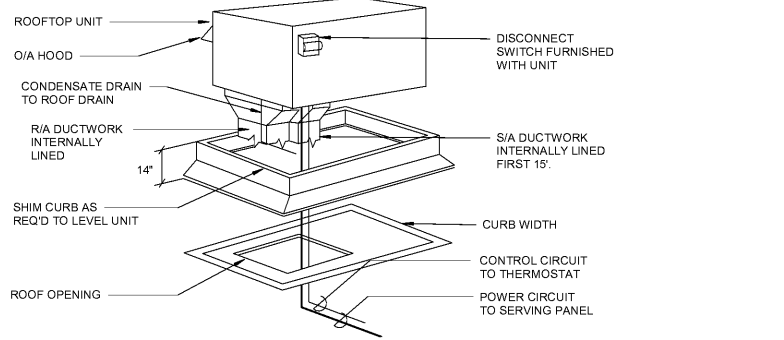
**6 HVAV EQUIPMENT ROOF CURB DETAIL**  
 NTS



**5 TYPICAL DIFFUSER DETAIL**  
 NTS

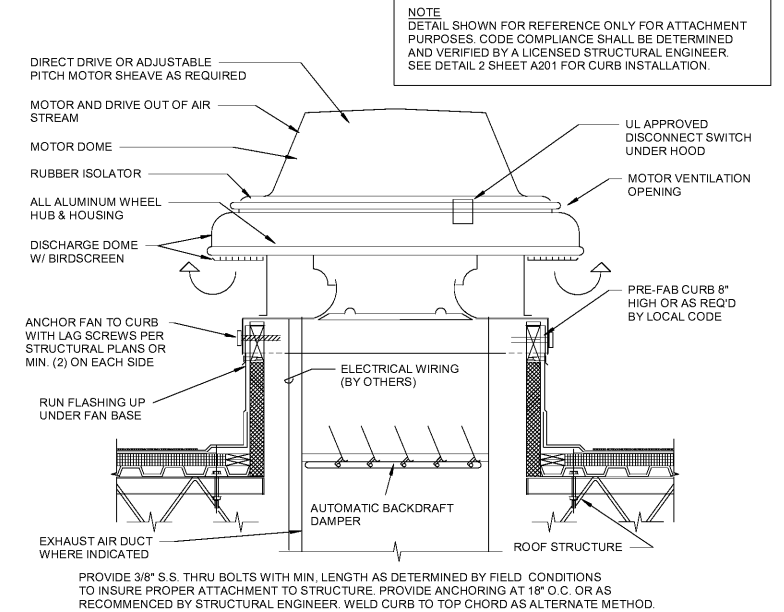


**3 REFRIGERANT PIPE MOUNTING DETAIL**  
 NTS



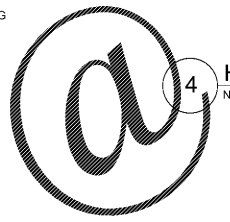
- NOTES**
- DUCT TRANSITION FROM RTU TO DUCT SIZE SHOWN ON MECH. FLOOR PLAN SHALL BE MADE BETWEEN RTU AND TOP OF ROOF WITHIN CURB.
  - SIZE OF OPENING IN ROOF DECK TO BE AS SMALL AS POSSIBLE. COORDINATE W/STRUCT. DWGS (6\"/>

**2 ROOFTOP UNIT CONNECTIONS DETAIL**  
 NTS



**1 ROOF MOUNTED EXHAUST FAN DETAIL**  
 NTS

Order Plans



WWW.LDINLINE.COM