

**ISSUE/REVISION RECORD**

DATE	DESCRIPTION
09/04/18	ISSUED FOR PERMIT

**PROJECT NAME**

**PEACHTREE PKWY & ENG.**

**PEACHTREE CORNERS**

5780 PEACHTREE PKWY  
 PEACHTREE CORNERS, GA  
 RACETRAC STORE NUMBER

**1201**

PROTOTYPE SERIES 5.5K 2.0  
 2018 RH MO

**PLAN MODIFICATION NOTICE**

SPB NO. DATE

STANDARD PLAN BULLETINS (SPB) MODIFY THE PROTOTYPE SERIES SET NOTED ABOVE. THE LISTED SPB REPRESENTS THE LATEST MODIFICATION INCORPORATED TO THIS PROTOTYPE SERIES SET AT ORIGINAL RELEASE. THE ISSUE/REVISION RECORD COLUMN ABOVE LISTS ANY REVISIONS OR SPB INCORPORATED IN THIS SET AFTER THE ORIGINAL RELEASE. CONTACT RACETRAC ENGINEERING AND CONSTRUCTION FOR ANY SUBSEQUENT BULLETINS NOT INCORPORATED HEREIN.

**PROFESSIONAL SEAL**



PROJECT NUMBER  
 18.703.00

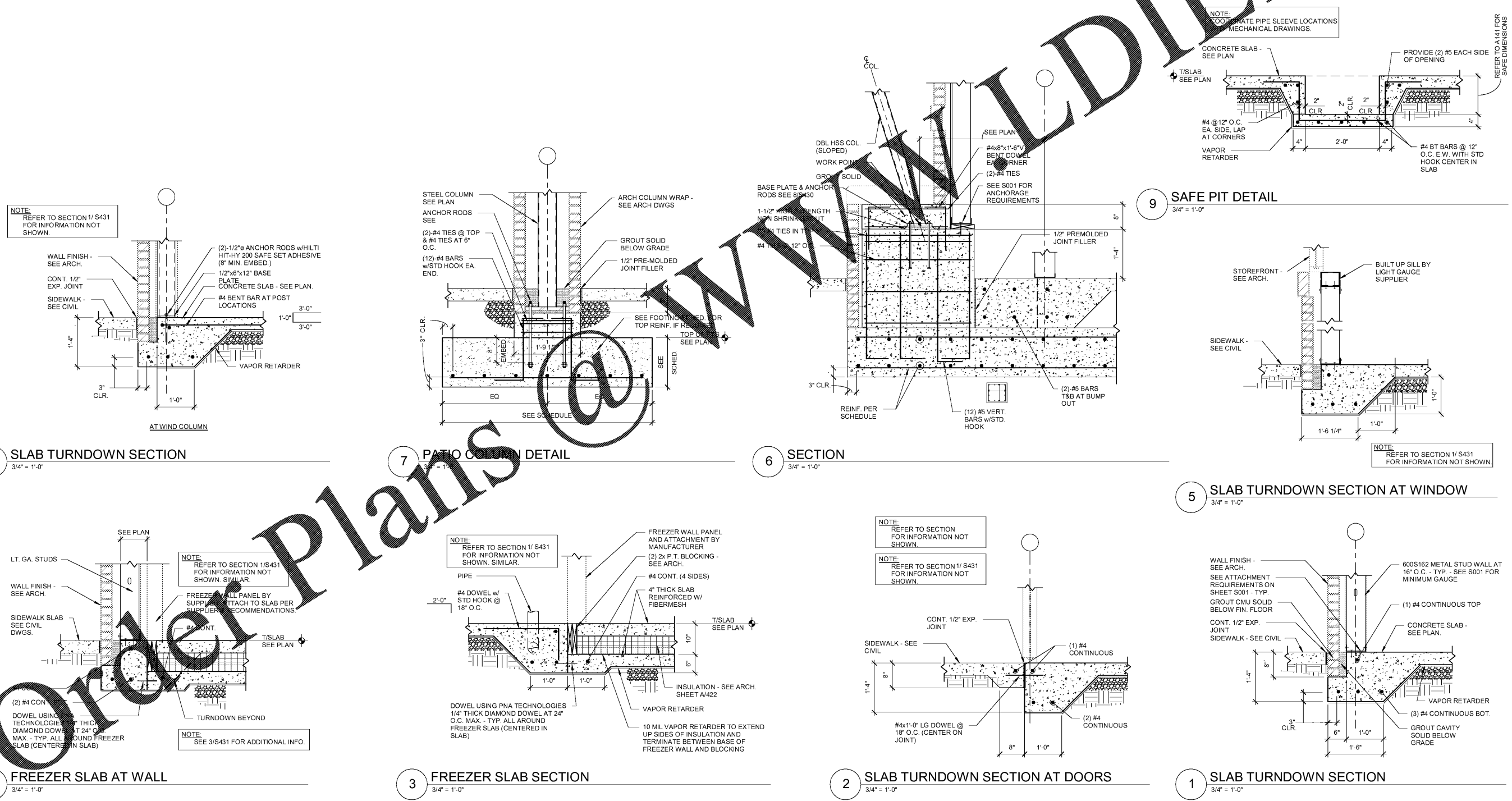
**SHEET TITLE**

**FOUNDATION SECTIONS AND DETAILS**

**SHEET NUMBER**

**S431**

ISSUED FOR PERMIT



8 SLAB TURNDOWN SECTION  
 3/4" = 1'-0"

7 PATIO COLUMN DETAIL  
 3/4" = 1'-0"

6 SECTION  
 3/4" = 1'-0"

9 SAFE PIT DETAIL  
 3/4" = 1'-0"

5 SLAB TURNDOWN SECTION AT WINDOW  
 3/4" = 1'-0"

4 FREEZER SLAB AT WALL  
 3/4" = 1'-0"

3 FREEZER SLAB SECTION  
 3/4" = 1'-0"

2 SLAB TURNDOWN SECTION AT DOORS  
 3/4" = 1'-0"

1 SLAB TURNDOWN SECTION  
 3/4" = 1'-0"