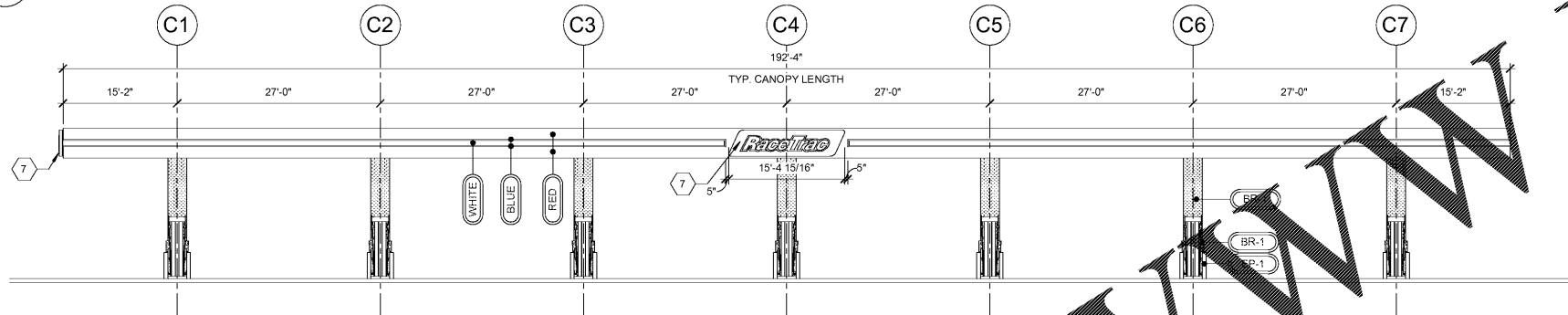
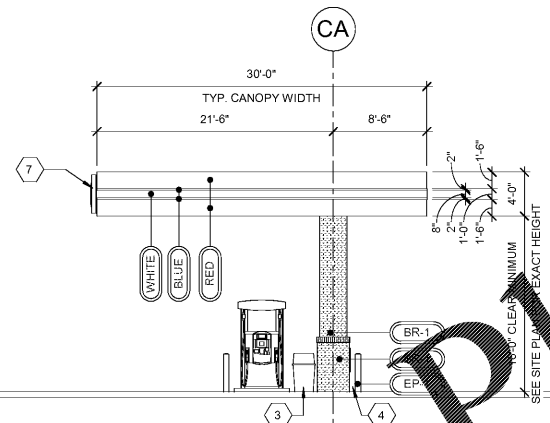


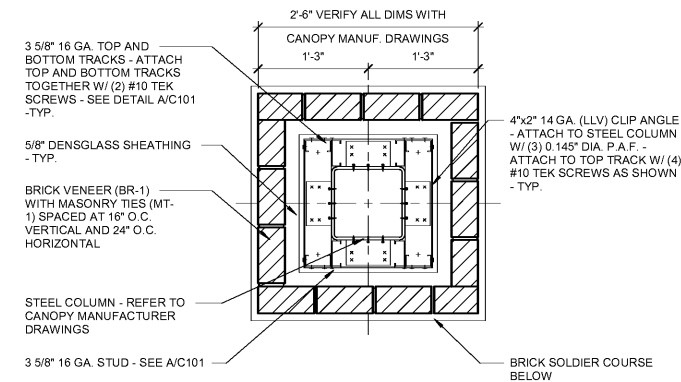
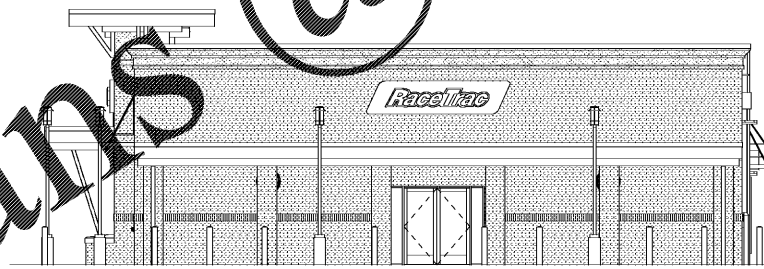
3 CANOPY PLAN
3/32" = 1'-0"



2 CANOPY FRONT ELEVATION
3/32" = 1'-0"



1 CANOPY ELEVATION
1/8" = 1'-0"



4 CANOPY COLUMN SURROUND DETAIL
1" = 1'-0"

GENERAL NOTES

1. AREA WITHIN 18'-0" OF DISPENSER BOTH HORIZONTALLY AND VERTICAL SHALL BE CLASS I, DIVISION 2.
2. EXTINGUISHERS SHALL BE PROVIDED AND SO LOCATED THAT NO PUMP DISPENSER OR FILL-PIPE OPENING SHALL BE A GREATER DISTANCE THAN 50'-0" FROM SUCH DISPENSER.
3. NO SMOKING SIGNS SHALL BE POSTED IN ACCORDANCE WITH LOCAL JURISDICTION REQUIREMENT.
4. PVC PIPE SHALL NOT BE USED ON TOP OF CANOPY. ONLY 3/4" EMT WITH WATER TIGHT CONNECTIONS SHALL BE PERMITTED.
5. REFER TO ELECTRICAL SCHEDULES FOR CANOPY CIRCUITS.
6. REFER TO SITE ELECTRICAL PLAN FOR SECURITY CAMERA LOCATIONS AND MOUNTING.
7. REFER TO FINISH SCHEDULES FOR MATERIAL SPECIFICATIONS.
8. REFER TO SITE PLAN FOR NUMBER OF CANOPY STOPS TO BE PLACED.
9. REFER TO MANUFACTURER'S SHOP DRAWINGS FOR ALL STRUCTURAL DETAILS.
10. REFER TO SITE SPECIFIC PLAN FOR CANOPY SETTING.
11. REFER TO SITE SPECIFIC PLAN FOR CONCRETE ISLAND LAYOUT.
12. REFER TO CANOPY MANUFACTURER'S DRAWINGS FOR ADDITIONAL INFORMATION ON COLUMN SURROUND.

RaceTrac
CORPORATE OFFICE
THESE PLANS ARE SUBJECT TO FEDERAL COPYRIGHT LAWS. ANY USE OF SAME WITHOUT THE EXPRESSED WRITTEN PERMISSION OF RACETRAC PETROLEUM, INC. IS PROHIBITED. 2016 RACETRAC PETROLEUM, INC.

DESIGN PROFESSIONALS
CONHR
HILLFOLEYROSSI
& ASSOCIATES
ARCHITECTURE
ENGINEERING
3680 Pleasant Hill Road
Suite 200
Duluth, Georgia 30096
p 770.622.9858
f 770.622.9535
www.hillfoleyrossi.com

ISSUE/REVISION RECORD

DATE	DESCRIPTION
09/04/18	ISSUED FOR PERMIT

RaceTrac

RACETRAC PETROLEUM, INC.
200 GALLERIA PARKWAY SOUTHEAST
SUITE 900
ATLANTA, GEORGIA 30339
(770) 431-7600

PROJECT NAME
PEACHTREE PKWY & ENG.

PEACHTREE CORNERS
5780 PEACHTREE PKWY
PEACHTREE CORNERS, GA
RACETRAC STORE NUMBER
1201

PROTOTYPE SERIES 5.5K 2.0
2018 RH MO

PLAN MODIFICATION NOTICE

STANDARD PLAN BULLETINS (SPB) MODIFY THE PROTOTYPE SERIES SET NOTED ABOVE. THE LISTED SPB REPRESENTS THE LATEST MODIFICATION INCORPORATED TO THIS PROTOTYPE SERIES SET AT ORIGINAL RELEASE. THE ISSUE/REVISION RECORD COLUMN ABOVE LISTS ANY REVISIONS OR SPB INCORPORATED IN THIS SET AFTER THE ORIGINAL RELEASE. CONTACT RACETRAC ENGINEERING AND CONSTRUCTION FOR ANY SUBSEQUENT BULLETINS NOT INCORPORATED HEREIN.

PROFESSIONAL SEAL



PROJECT NUMBER
18.703.00

SHEET TITLE
FUEL CANOPY PLANS AND ELEVATIONS

SHEET NUMBER
C100

ISSUED FOR PERMIT

FUEL CANOPY MATERIAL SCHEDULE

ID	MANUF.	MATERIAL	COMMENTS
FASCIA			
BLUE			2" BLUE STRIPE
RED			REFER TO SPECIFICATION CHART ON SHEET C100
WHITE			8" WHITE STRIPE
PAINT			
EP-1	SHERWIN WILLIAMS	EXTERIOR PAINT TO SW #7020 "BLACK FOX"	

STANDARD CANOPY FASCIA COLOR SPECIFICATION CHART

COLOR CALLOUT	CANOPY MANUFACTURER	STANDARD COLOR SPECIFICATION
"TAN"	LANE CANOPIES	ETT TAN FASCIA
	McGEE CANOPIES	ETT TAN FASCIA
	MADISON CANOPIES	PUEBLO TAN FASCIA
"RED"	LANE CANOPIES	TRD RED FASCIA
	McGEE CANOPIES	TRD RED FASCIA - PROGRAM RED
	MADISON CANOPIES	PROGRAM RED FASCIA