

RaceTrac
COPYRIGHT NOTICES
 THESE PLANS ARE SUBJECT TO FEDERAL COPYRIGHT LAWS. ANY USE OF SAME WITHOUT THE EXPRESSED WRITTEN PERMISSION OF RACETRAC PETROLEUM, INC. IS PROHIBITED. 2016 RACETRAC PETROLEUM, INC.

DESIGN PROFESSIONALS
HR
 HILLFOLEYROSSI & ASSOCIATES

ARCHITECTURE
 ENGINEERING
 3680 Pleasant Hill Road
 Suite 200
 Duluth, Georgia 30096
 p 770.622.9858
 f 770.622.9535
 www.hillfoleyrossi.com

© Copyright (as dated) below:
 This drawing and all information thereon are the property of Hill Fooleyrossi & Associates, LLC (HFA). It is intended for the use of the project named herein. Reproduction without the written consent of HFA is prohibited. All rights are to be retained to HFA upon project completion.

ISSUE/REVISION RECORD

DATE	DESCRIPTION
09/04/18	ISSUED FOR PERMIT

RaceTrac
 RACETRAC PETROLEUM, INC.
 200 GALLERIA PARKWAY SOUTHEAST
 SUITE 900
 ATLANTA, GEORGIA 30339
 (770) 431-7600

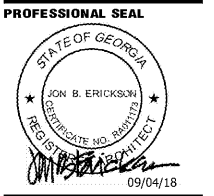
PROJECT NAME
PEACHTREE PKWY & ENG.
PEACHTREE CORNERS
 5780 PEACHTREE PKWY
 PEACHTREE CORNERS, GA
RACETRAC STORE NUMBER
1201

PROTOTYPE SERIES 5.5K 2.0
2018 RH MO

PLAN MODIFICATION NOTICE

SPB NO.	DATE

STANDARD PLAN BULLETINS (SPB) MODIFY THE PROTOTYPE SERIES SET NOTED ABOVE. THE LISTED SPB REPRESENTS THE LATEST MODIFICATION INCORPORATED TO THIS PROTOTYPE SERIES SET AT ORIGINAL RELEASE. THE ISSUE/REVISION RECORD COLUMN ABOVE LISTS ANY REVISIONS OR SPB INCORPORATED IN THIS SET AFTER THE ORIGINAL RELEASE. CONTACT RACETRAC ENGINEERING AND CONSTRUCTION FOR ANY SUBSEQUENT BULLETINS NOT INCORPORATED HEREIN.

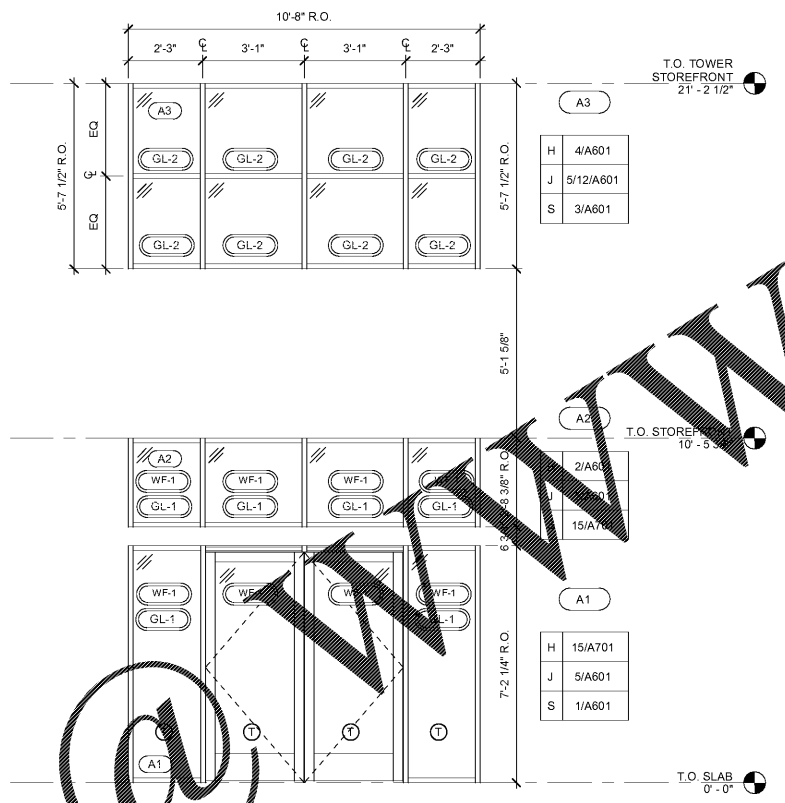


PROJECT NUMBER
 18,703.00

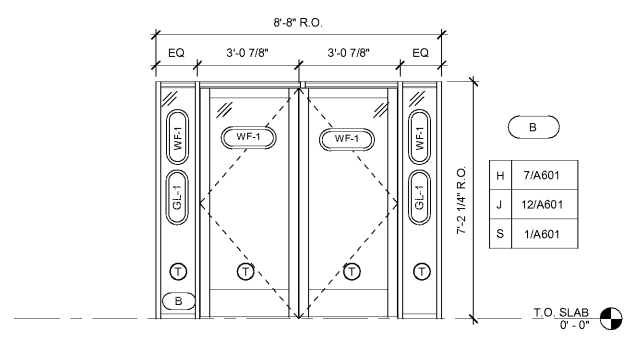
SHEET TITLE
WINDOW ELEVATIONS AND DETAILS

SHEET NUMBER
A600
 ISSUED FOR PERMIT

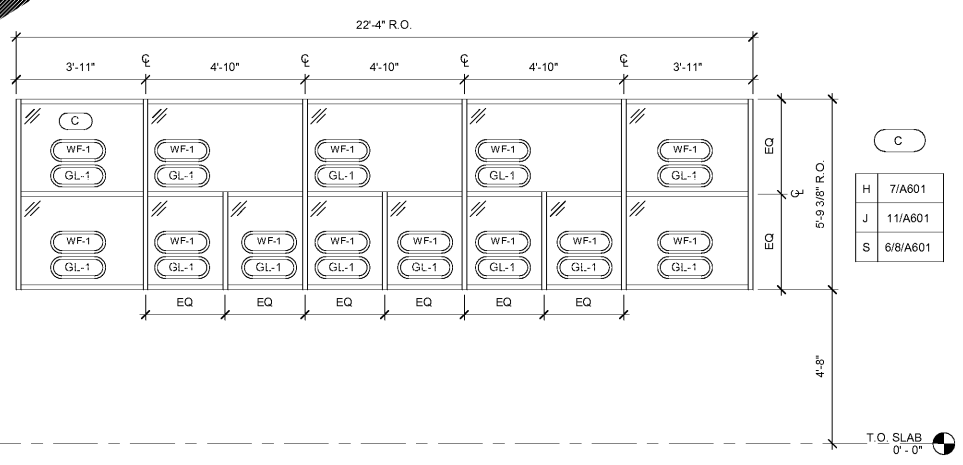
GLASS TYPES
 T TEMPERED GLASS



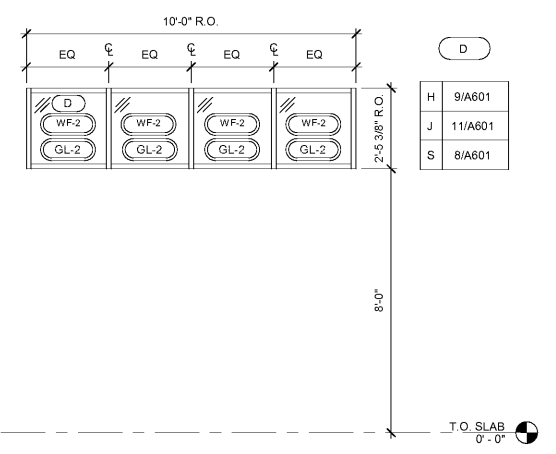
1 STOREFRONT ELEVATION A1/A2/A3
 3/8" = 1'-0"



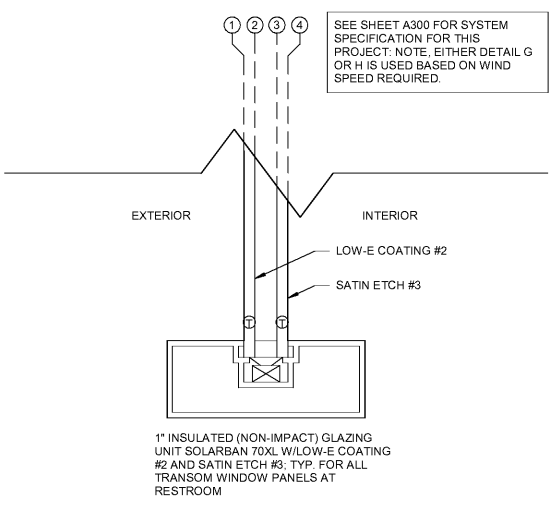
2 STOREFRONT ELEVATION B
 3/8" = 1'-0"



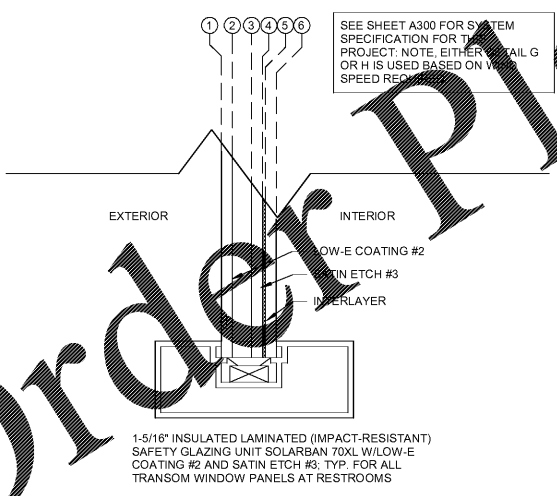
3 STOREFRONT ELEVATION C
 3/8" = 1'-0"



1 STOREFRONT ELEVATION D
 3/8" = 1'-0"



6M NON-IMPACT RATED SYSTEM
 6" = 1'-0"



5S IMPACT RATED SYSTEM
 6" = 1'-0"

Order Plans @ www.LDILine.com