

ISSUE/REVISION RECORD

Table with columns: DATE, DESCRIPTION, ISSUED FOR PERMIT. Row 1: 09/04/18, ISSUED FOR PERMIT.

RaceTrac

RACETRAC PETROLEUM, INC. 200 GALLERIA PARKWAY SOUTHEAST SUITE 900 ATLANTA, GEORGIA 30339 (770) 431-7600

PROJECT NAME

PEACHTREE PKWY & ENG.

PEACHTREE CORNERS

5780 PEACHTREE PKWY PEACHTREE CORNERS, GA RACETRAC STORE NUMBER

1201

PROTOTYPE SERIES 5.5K 2.0 2018 RH MO

PLAN MODIFICATION NOTICE

SPB NO. DATE

STANDARD PLAN BULLETINS (SPB) MODIFY THE PROTOTYPE SERIES SET NOTED ABOVE. THE LISTED SPB REPRESENTS THE LATEST MODIFICATION INCORPORATED TO THE PROTOTYPE SERIES SET AT ORIGINAL RELEASE. THE ISSUE/REVISION RECORD COLUMN ABOVE LISTS ANY REVISIONS OR SPB INCORPORATED IN THIS SET AFTER THE ORIGINAL RELEASE. CONTACT RACETRAC ENGINEERING AND CONSTRUCTION FOR ANY SUBSEQUENT BULLETINS NOT INCORPORATED HEREIN.

PROFESSIONAL SEAL



PROJECT NUMBER 18.703.00

SHEET TITLE

INTERIOR ELEVATIONS

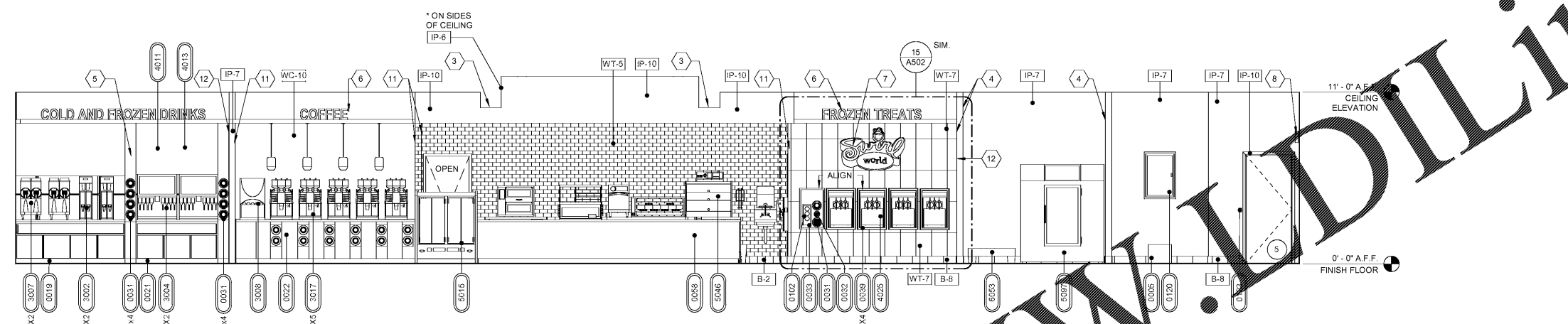
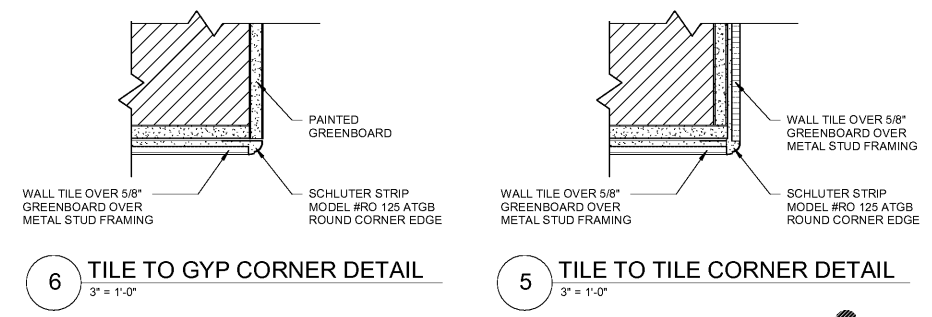
SHEET NUMBER

A501

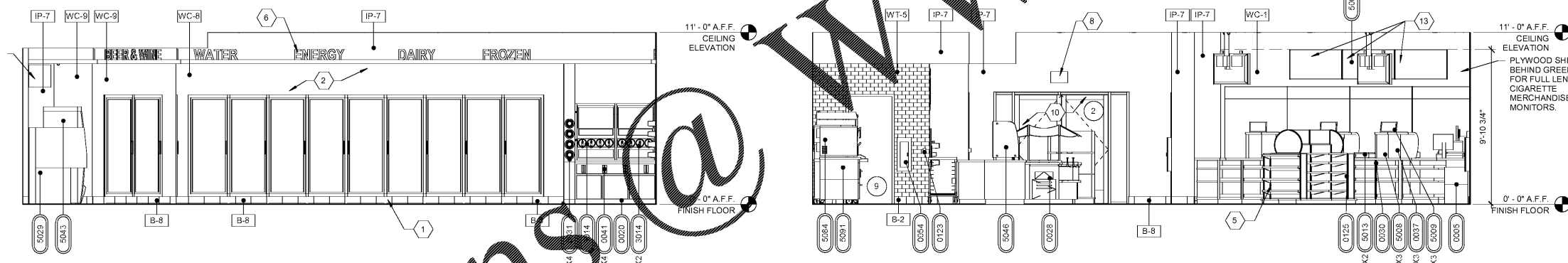
ISSUED FOR PERMIT

GENERAL NOTES

- 1. ALL FINISH FLOOR ELEVATIONS TAKEN FROM TOP OF TILE. COFFEE, FROZEN DRINK DISPENSER AND YOGURT MACHINES TO COMPLY WITH THE REACH RANGES OR 15" LOW & 48" HIGH PER 2010 ADA STANDARDS, SECTION 308. 2. ALL SELF-SERVICE STATIONS SHALL BE INSTALLED TO HAVE A MAX REACH HEIGHT OF 48" AS MEASURED TO THE HIGHEST OPERABLE PART (44" IF REACH 20'-25'). 3. DRINKING FOUNTAINS (2010 ADA SECTION 602); THE SPOUT SHALL BE LOCATED 15" MIN. FROM VERTICAL SUPPORT AND 5" MAX FROM THE FRONT EDGE OF THE UNIT, INCLUDING BUMPERS. THE SPOUT SHALL PROVIDE A FLOW OF WATER 4" HIGH MIN AND SHALL BE LOCATED 5" FROM THE FRONT OF THE UNIT. WHERE SPOUTS ARE LOCATED LESS THAN 3" OF THE FRONT OF THE UNIT, THE ANGLE OF THE WATER STREAM SHALL BE GREATER THAN 45 DEG MAX. (MEASURED HORIZONTALLY FROM THE FRONT OF THE UNIT, WHERE SPOUTS ARE LOCATED BETWEEN 3" AND 5" MAX. FROM THE FRONT OF THE UNIT, THE ANGLE OF THE WATER STREAM SHALL BE GREATER THAN 45 DEG MAX.) 4. DRINKING FOUNTAINS (2010 ADA SECTION 602); DRINKING FOUNTAINS FOR STANDING PERSONS SHALL HAVE A SPOUT HEIGHT OF 36" TO 43" AND SHALL COMPLY WITH ABOVE NOTE. 5. ALL INTERIOR METAL SPOUTS ARE 3/8" U.O.N. 6. ALL CONSUM BOARD TO BE USED ON GREENBOARD UNLESS OTHERWISE NOTED. 7. PROVIDE DRYWALL FINISH LEVEL 4 WHERE FLAT PAINTS, LIGHT TEXTURES OR WALLCOVERINGS ARE TO BE APPLIED. 8. PROVIDE DRYWALL FINISH LEVEL 5 WHERE GLOSS, SEMI-GLOSS, ENAMEL, OR NON-TEXTURED FLAT PAINTS ARE SPECIFIED OR WHERE SEVERE LIGHTING CONDITIONS OCCUR. 9. PROVIDE JOINT SEALANT AND JUNCTURE OF ALL DISSIMILAR MATERIALS. 10. INSTALL GREENBOARD ON OUTSIDE FACES OF WALK-IN COOLERS AND FREEZERS. 11. PLACE CERAMIC TILE BASE UP TO COOLER DOOR FRAME. SHEETROCK ENTIRE FACE OF WALK-IN COOLERS AND FREEZER PANELS. SEE GENERAL NOTE #11. BULKHEAD AT 10'-0". PROVIDE SCHLUTER CORNER GUARD, 8"-0" HIGH DEFENDER SERIES 2340, 1" UNDRILLED WITH ADHESIVE. MILLWORK BY MILLWORK VENDOR. MARKETING BY RACETRAC. SWIRL SIGN. EXIT SIGN. STOREFRONT SYSTEM BEYOND. STOREFRONT ENTRY AS SCHEDULED BEYOND WITH TRANSOM AND SIDELIGHTS. PROVIDE SCHLUTER CORNER GUARD, FULL HEIGHT OF TILE SEE DETAIL 6/A501. PROVIDE SCHLUTER CORNER GUARD, FULL HEIGHT OF TILE SEE DETAIL 6/A501. PROVIDE BLOCKING FOR COMMERCIAL DISPLAYS PER MANUFACTURER RECOMMENDATIONS. VINYL GRAPHICS BY OTHERS.

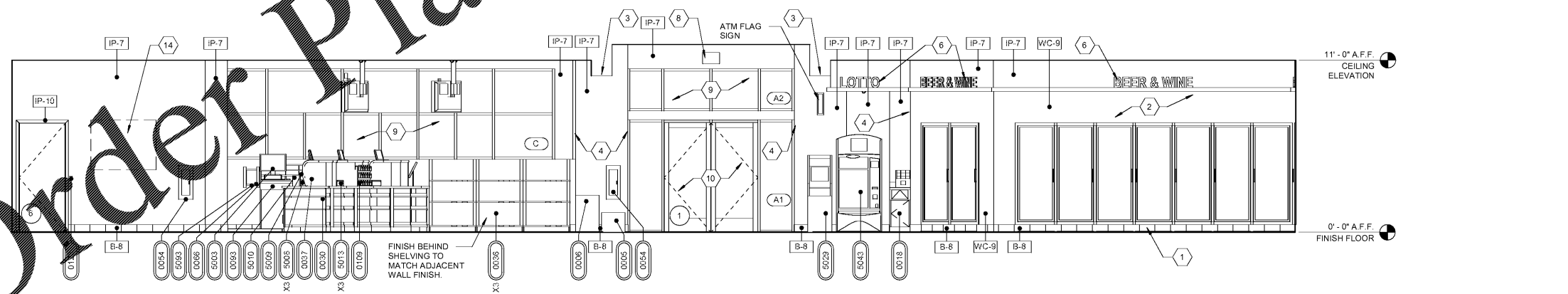


4 INTERIOR ELEVATION AT SALES FLOOR 1/4" = 1'-0"



3 INTERIOR ELEVATION AT SALES FLOOR 1/4" = 1'-0"

2 INTERIOR ELEVATION AT SALES FLOOR 1/4" = 1'-0"



1 INTERIOR ELEVATION AT SALES FLOOR 1/4" = 1'-0"

Order Plans @